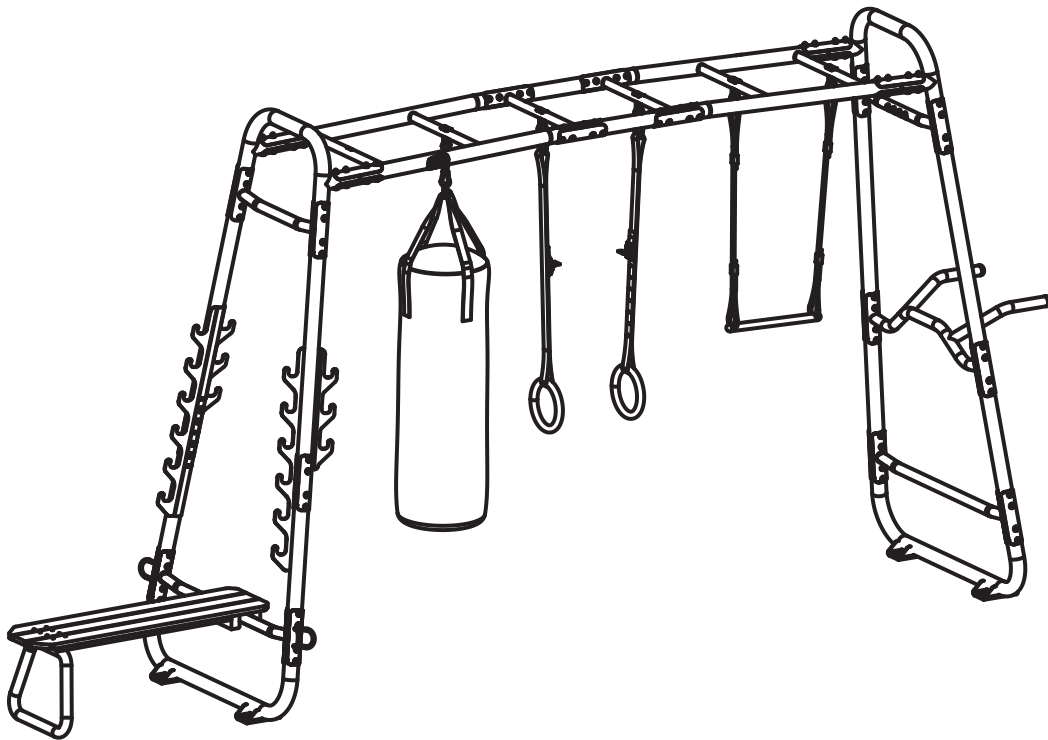




GetSet

EXIT GetSet MB330



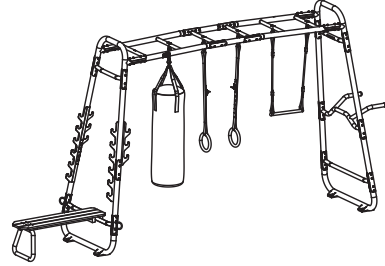
 **WARNING**
CHOKING HAZARD
small parts
Adult assembly required
retain for future reference



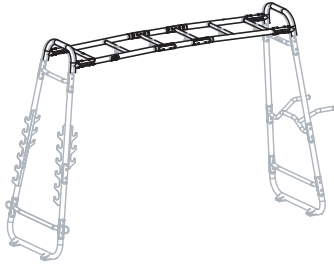
02



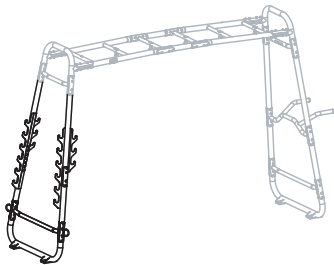
42



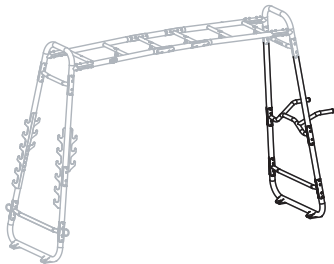
10



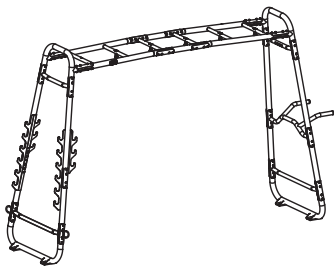
16



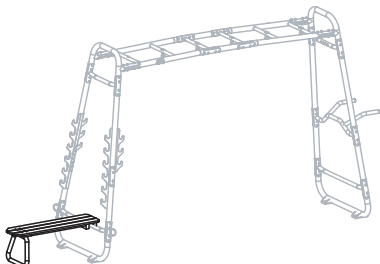
22

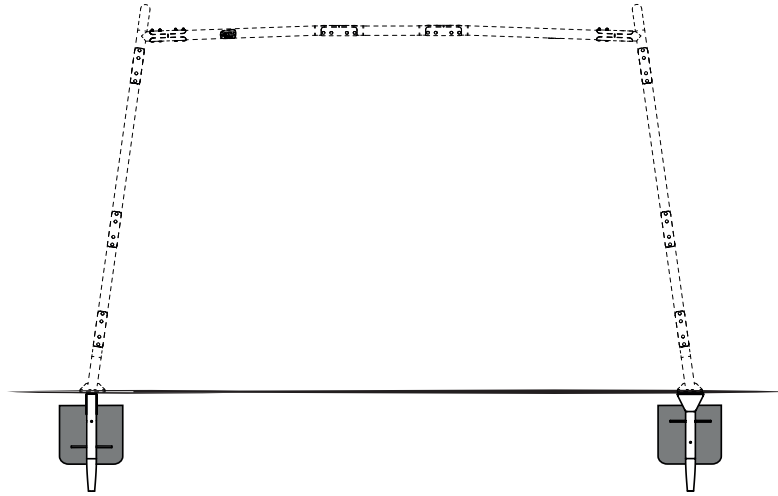


28

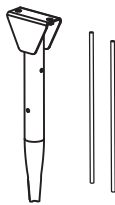


38



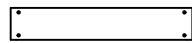


1



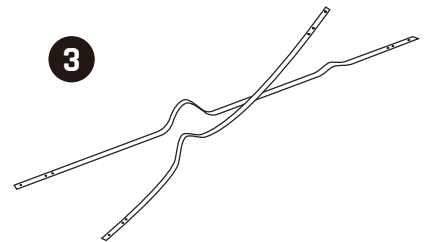
61.80.30.20 4X

2



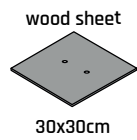
61.82.50.50 2X

3



61.85.50.60 1X

4



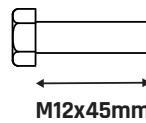
1X

5



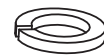
Ø37*Ø13*3.0 8X

6



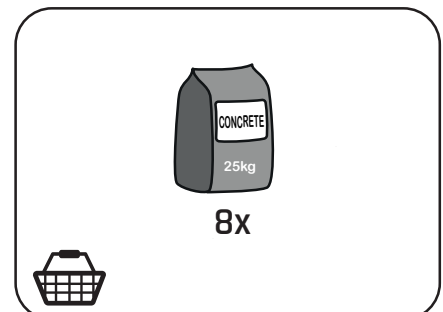
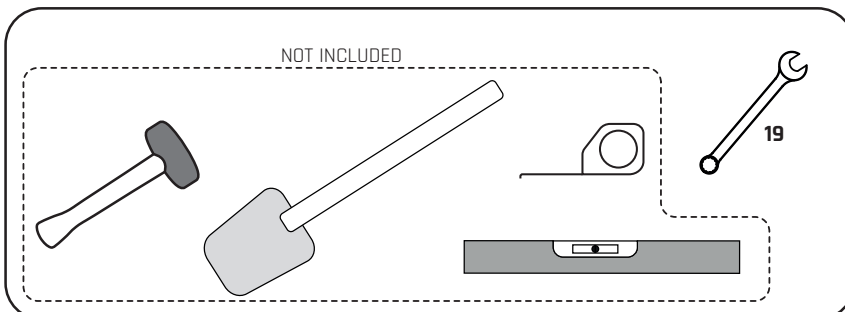
M12x45mm 8X

7

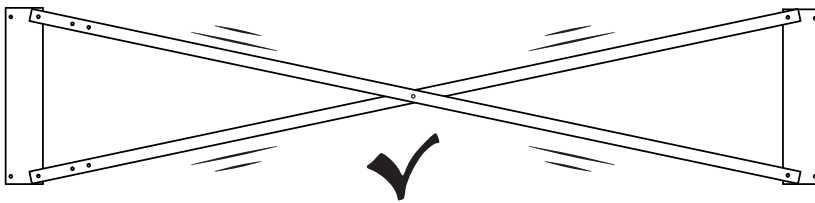
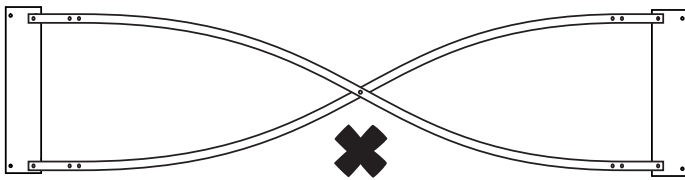
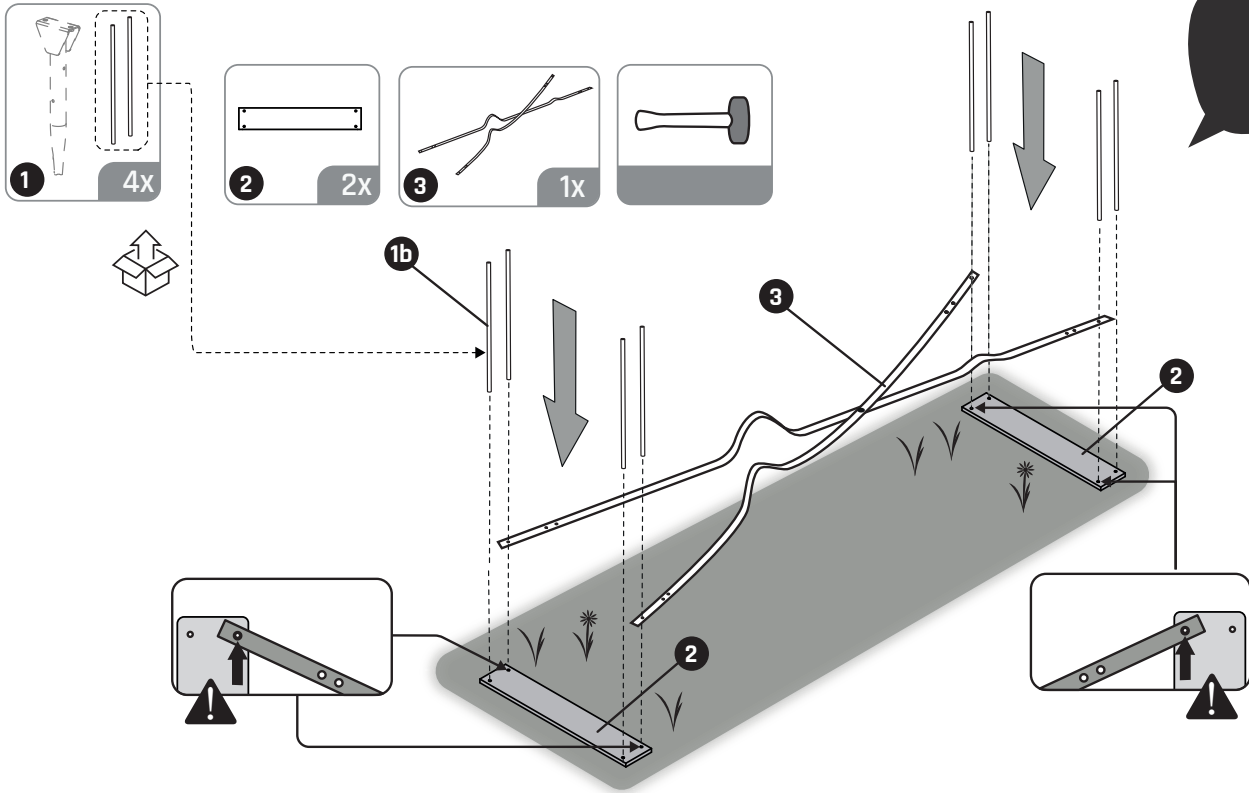


Ø13 8X

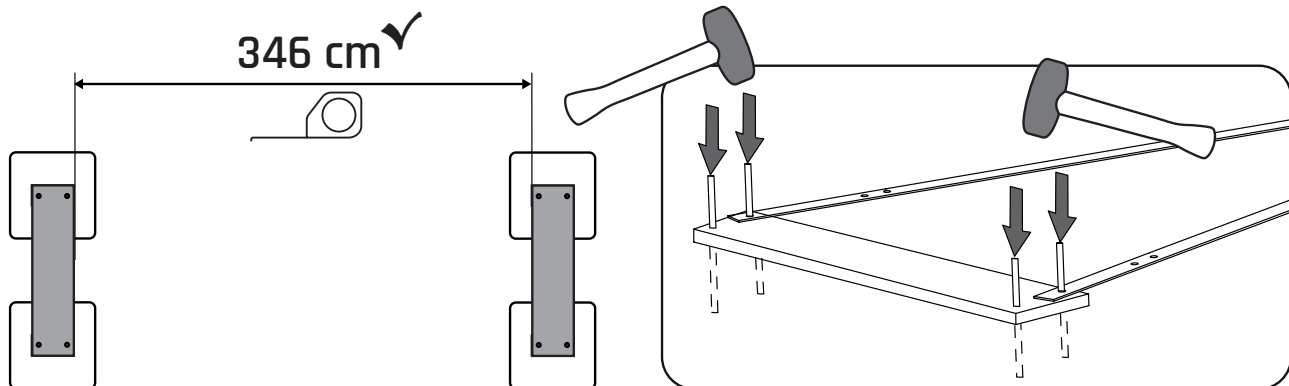
61.82.40.20 2X



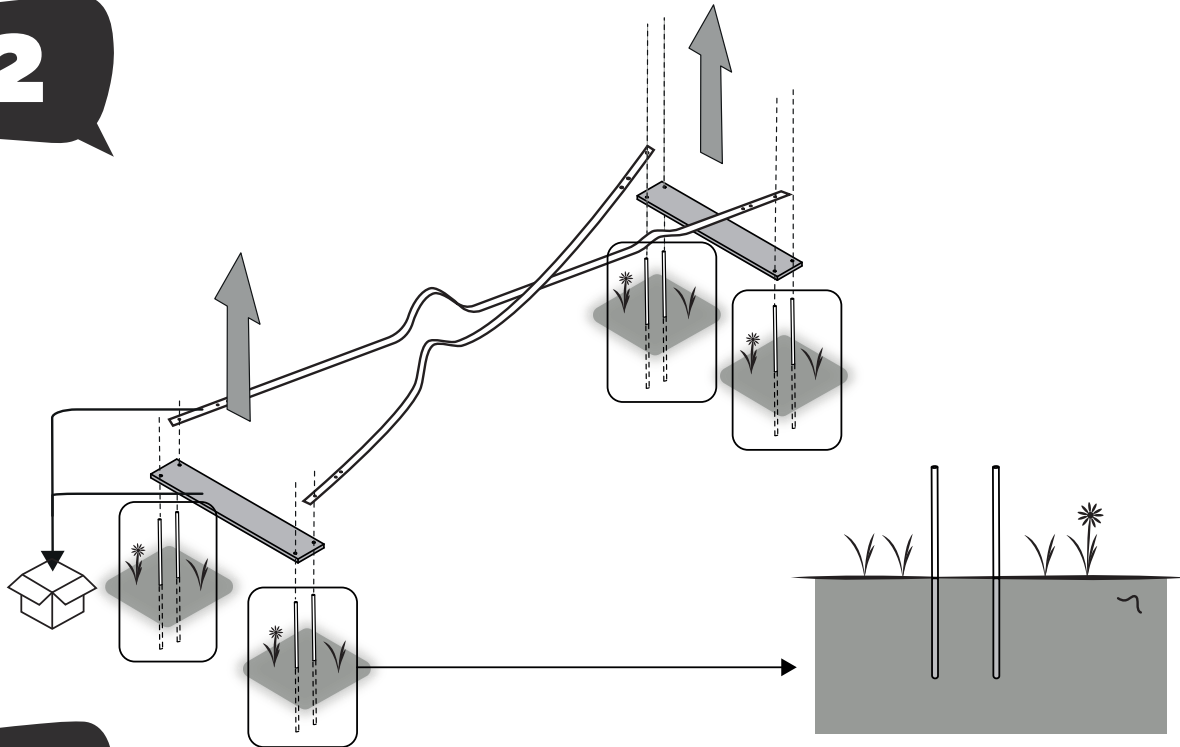
1



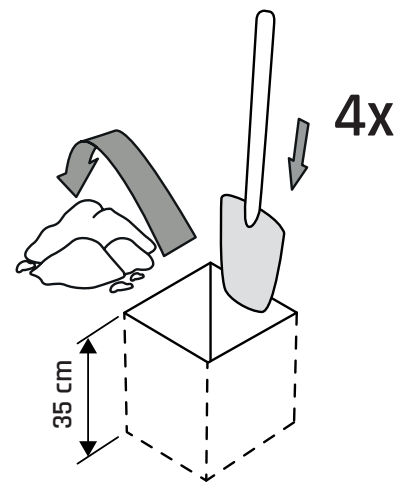
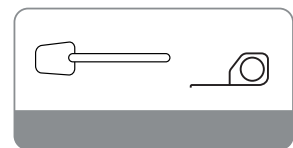
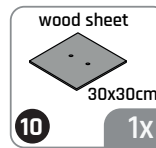
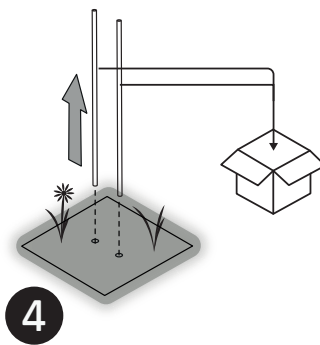
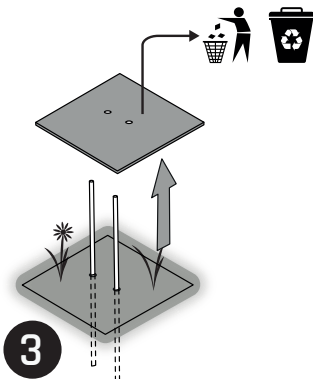
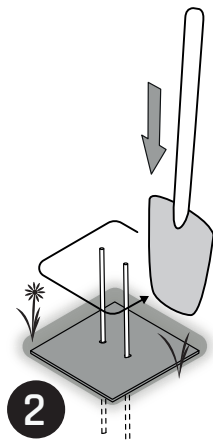
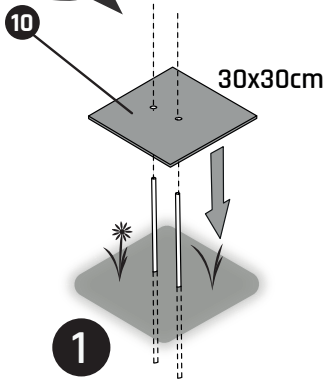
MB 300

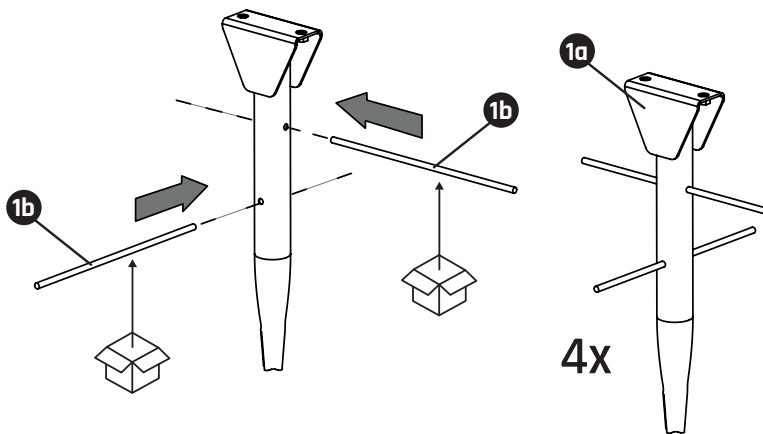
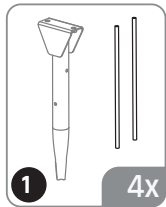


2

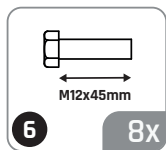
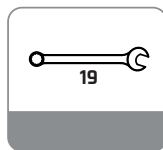


3

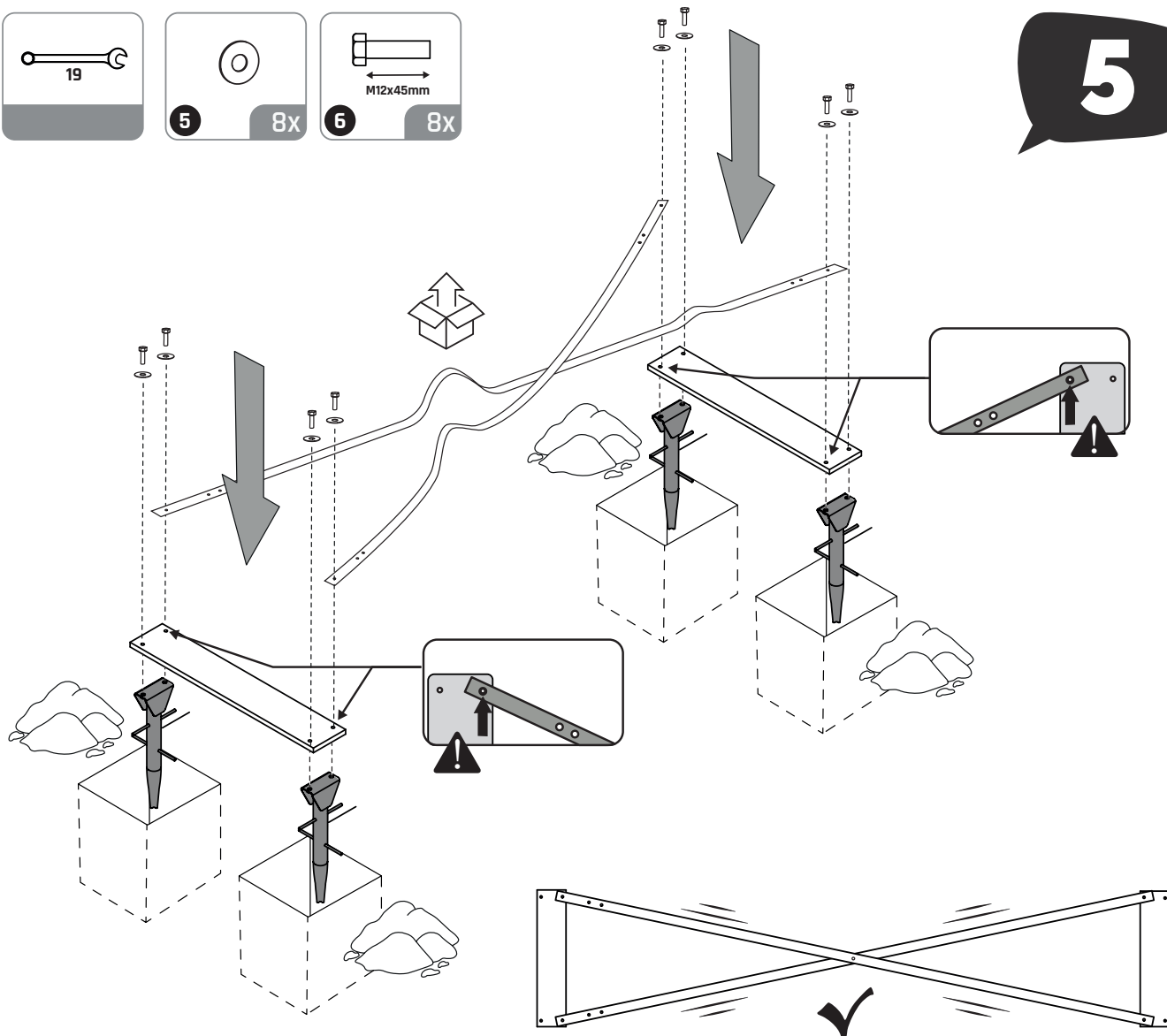




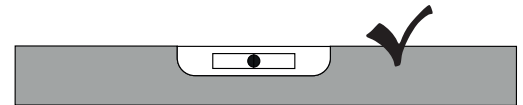
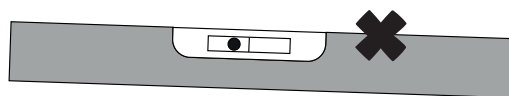
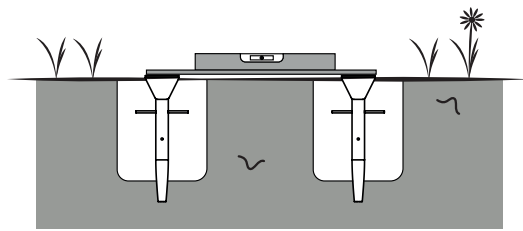
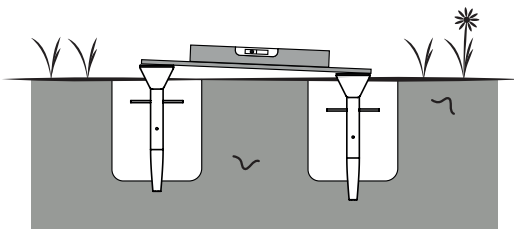
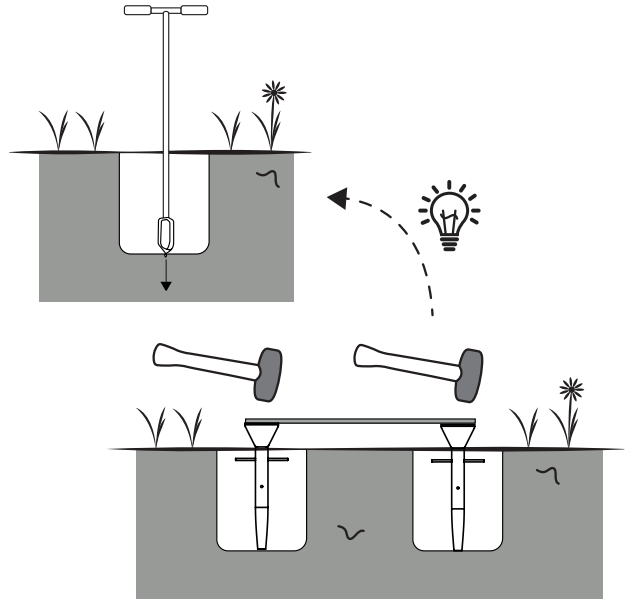
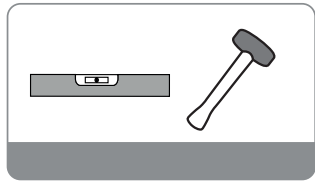
4



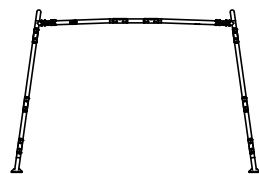
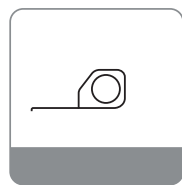
5



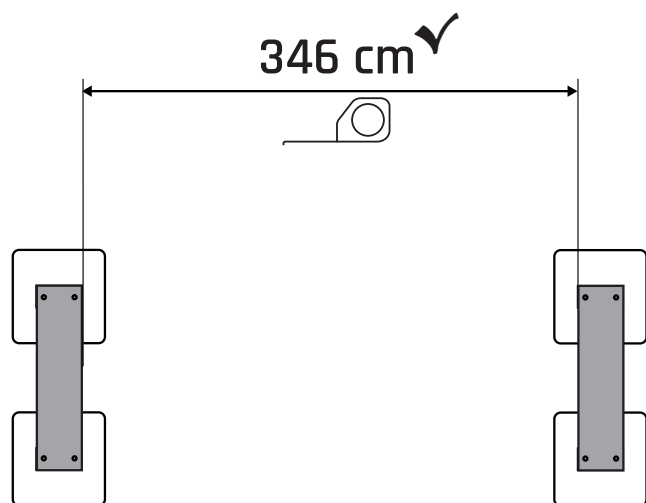
6



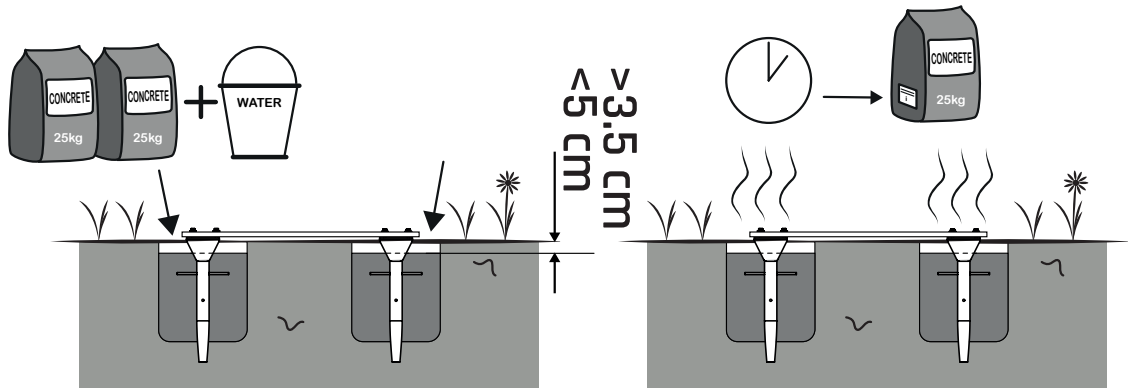
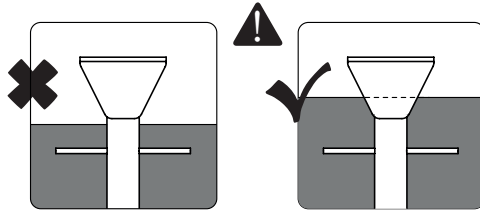
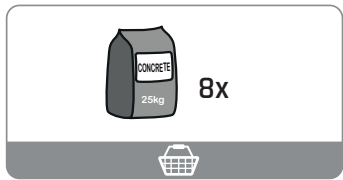
7



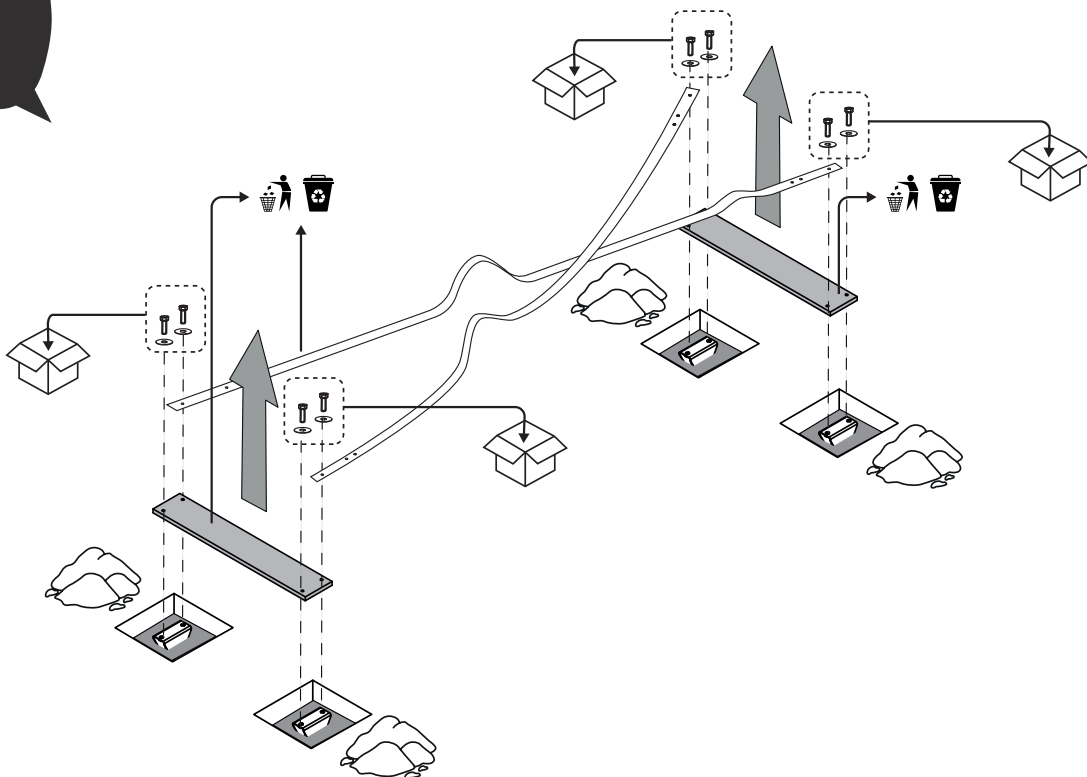
MB 300

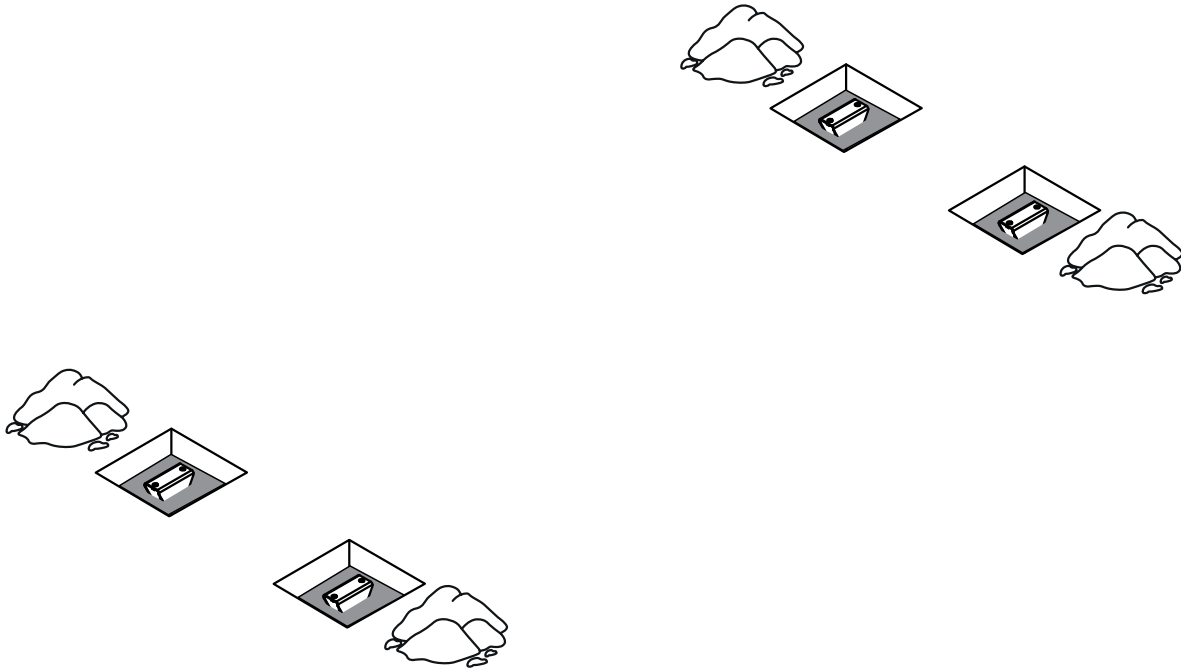


8

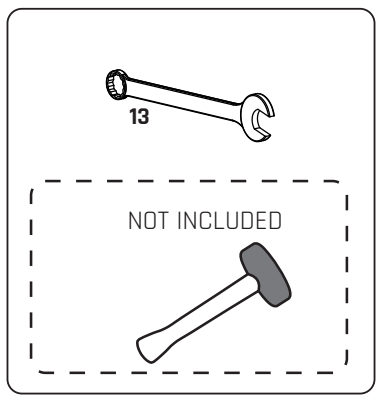
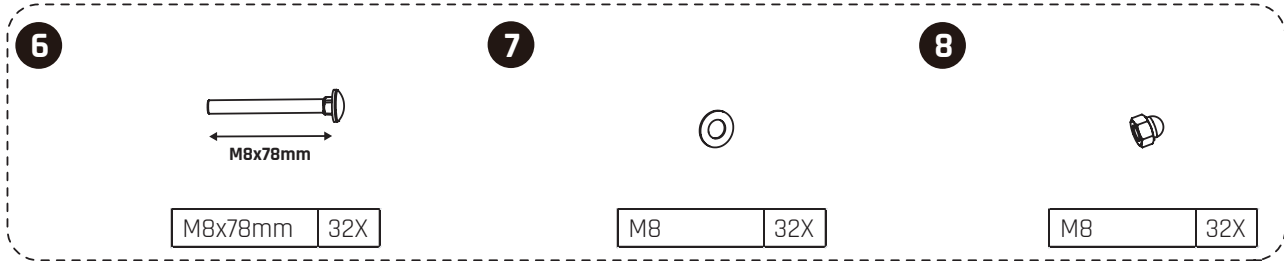
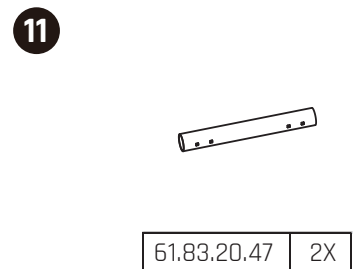
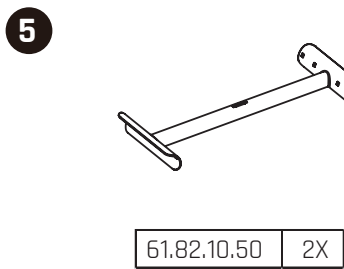
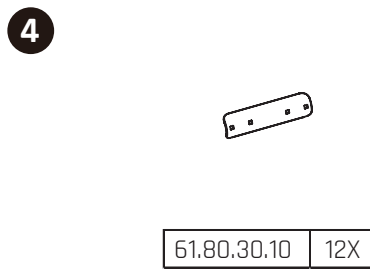
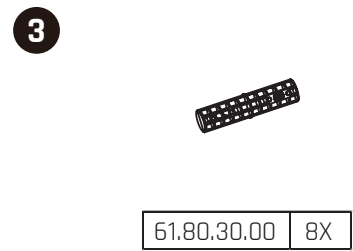
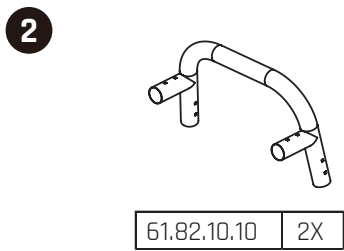
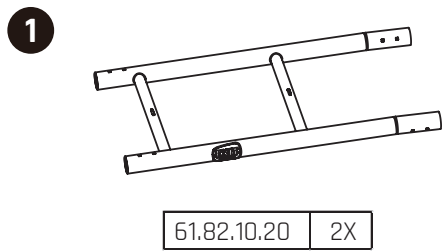
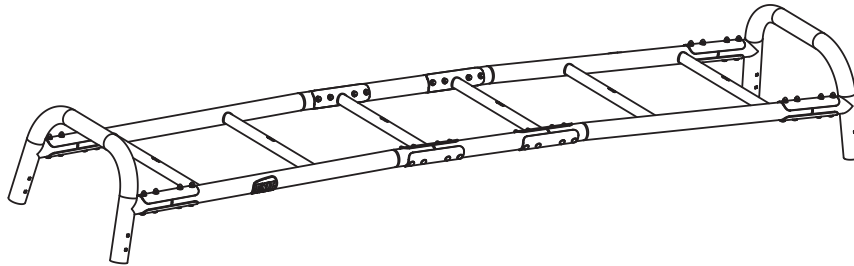


9

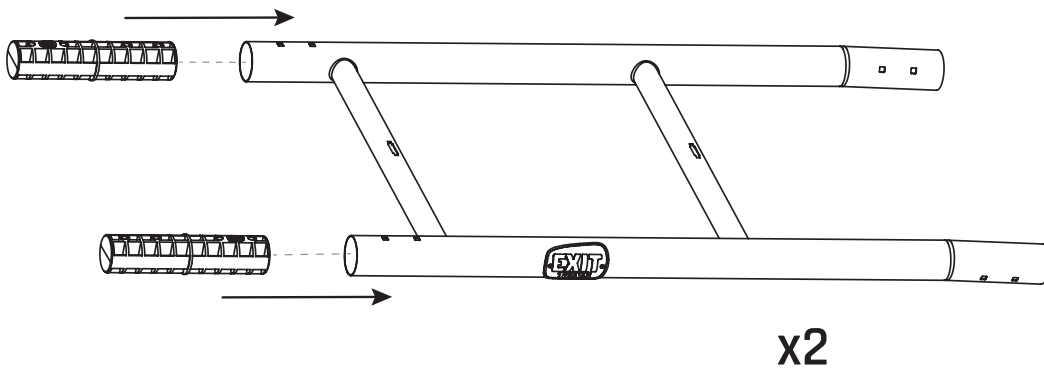
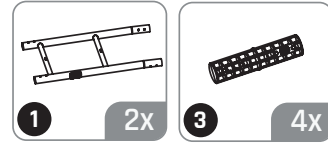




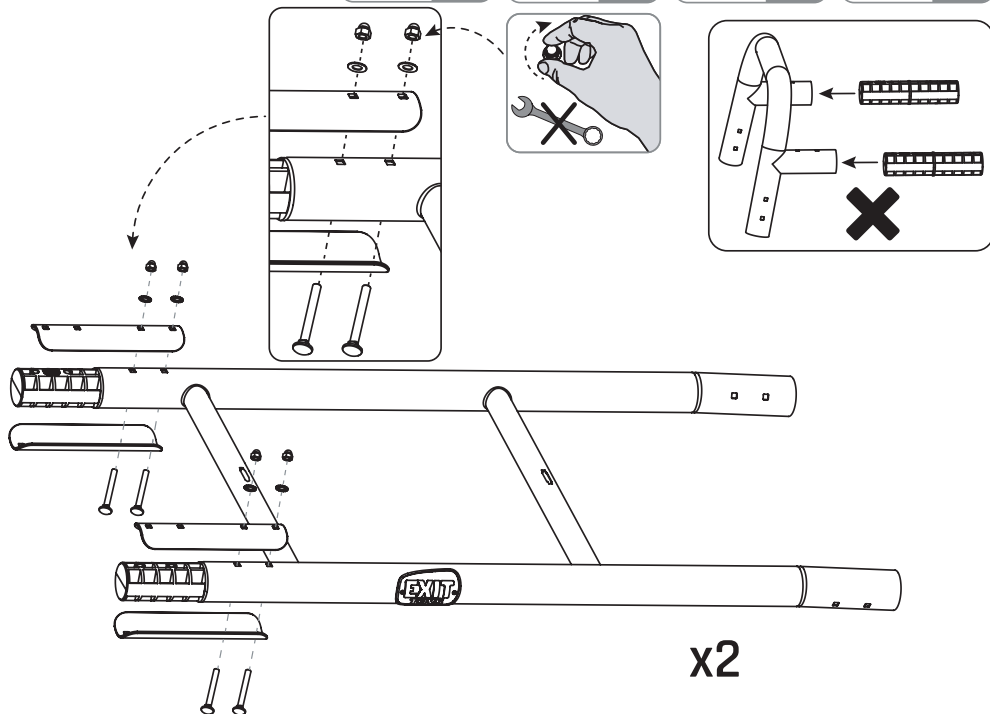
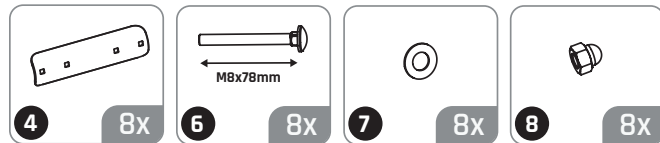




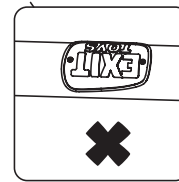
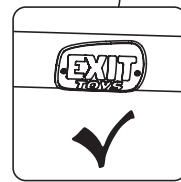
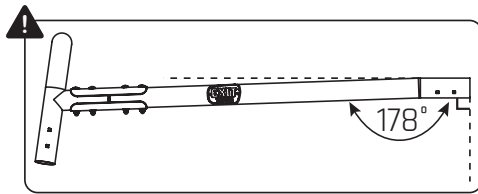
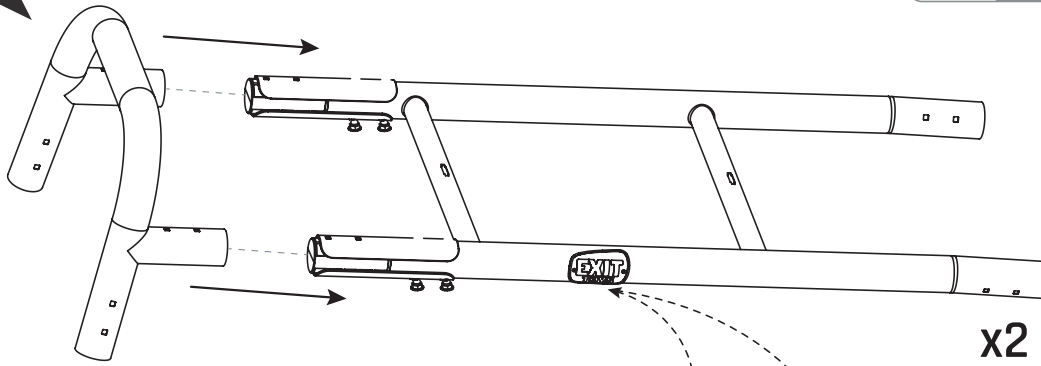
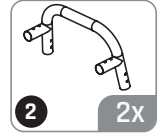
1



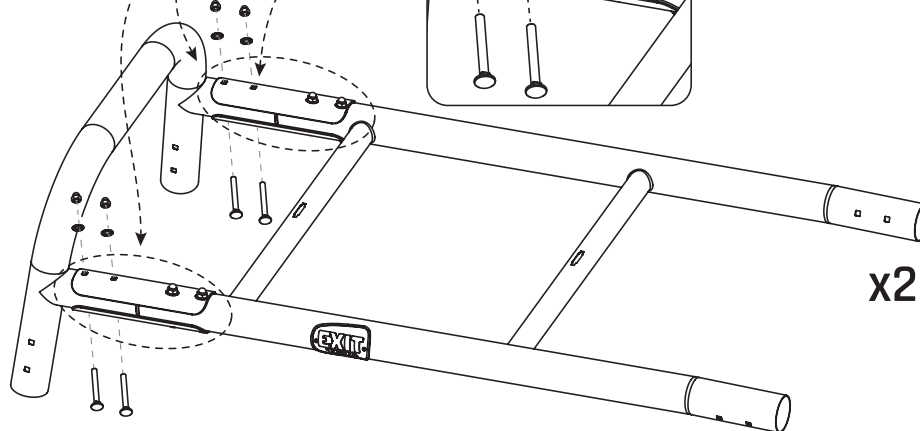
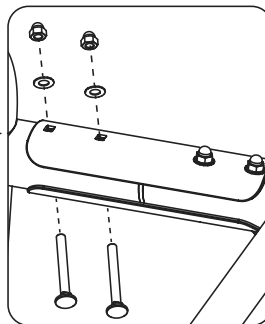
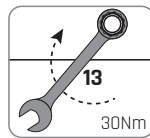
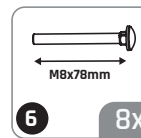
2



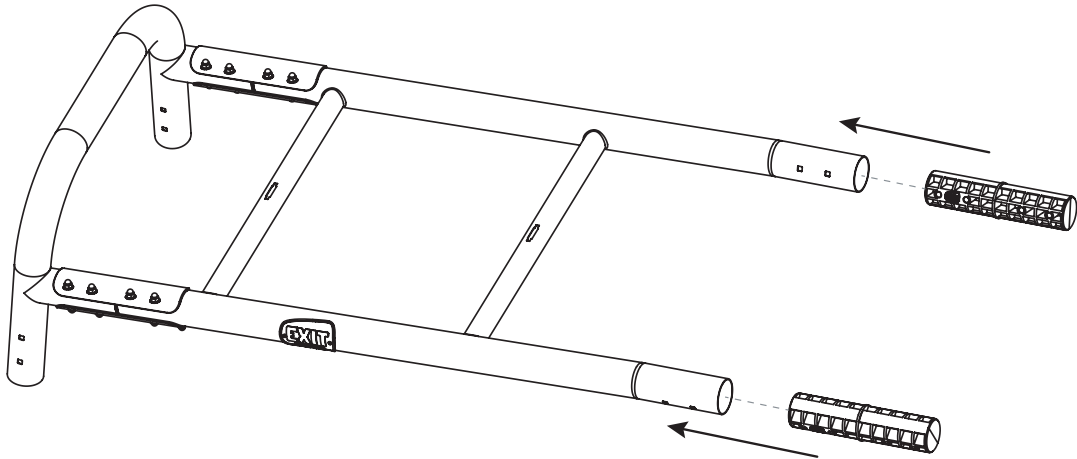
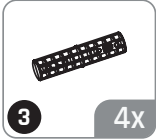
3



4

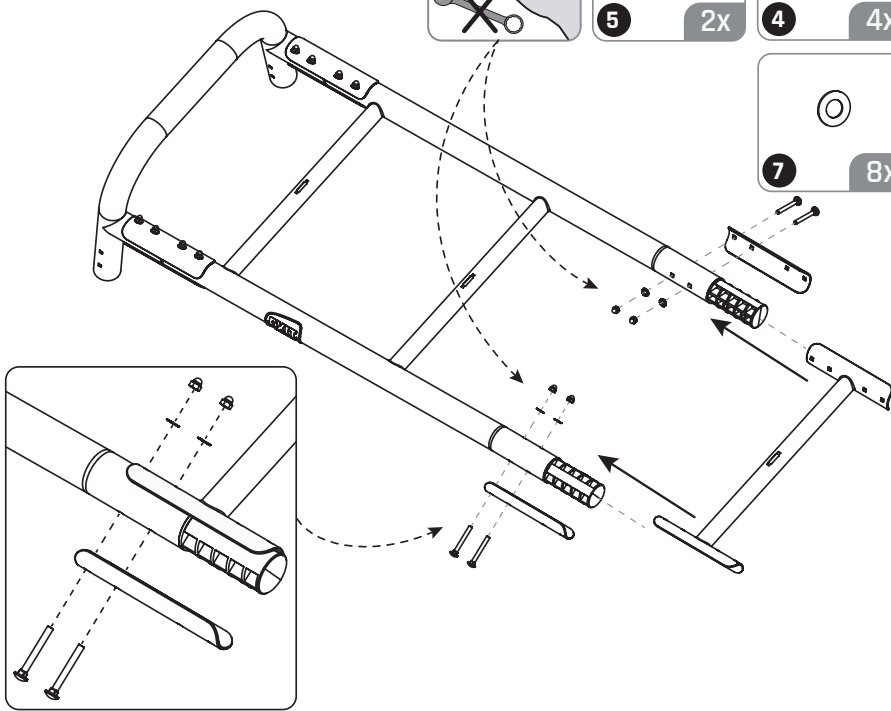
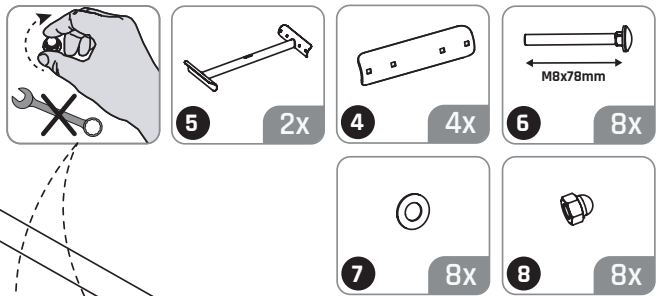


5



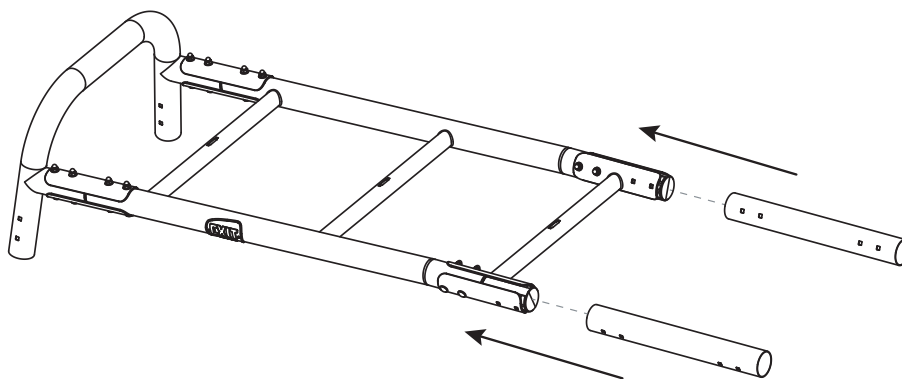
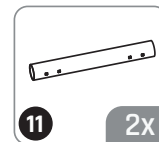
x2

6

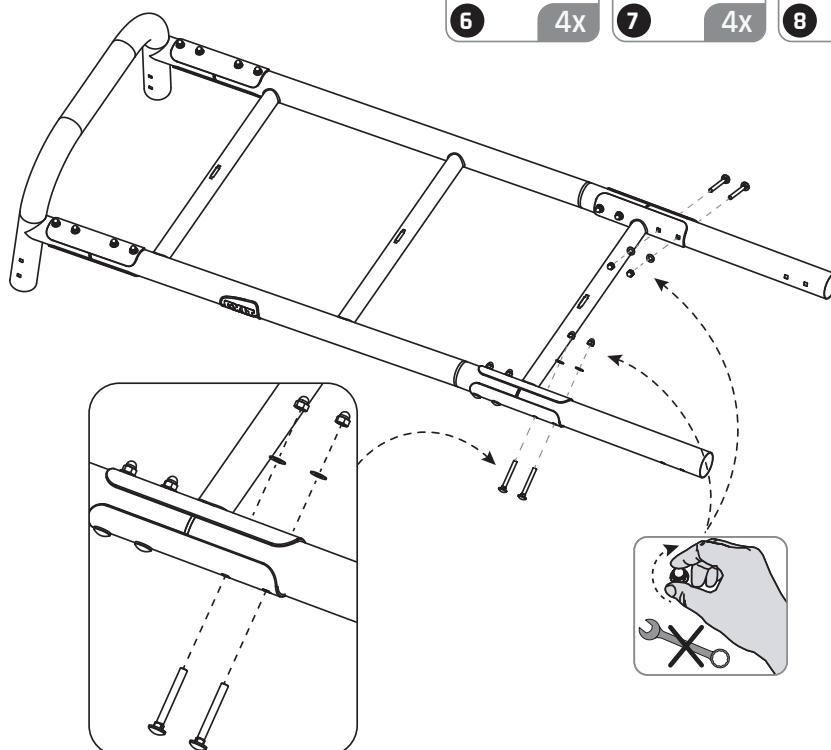


x2

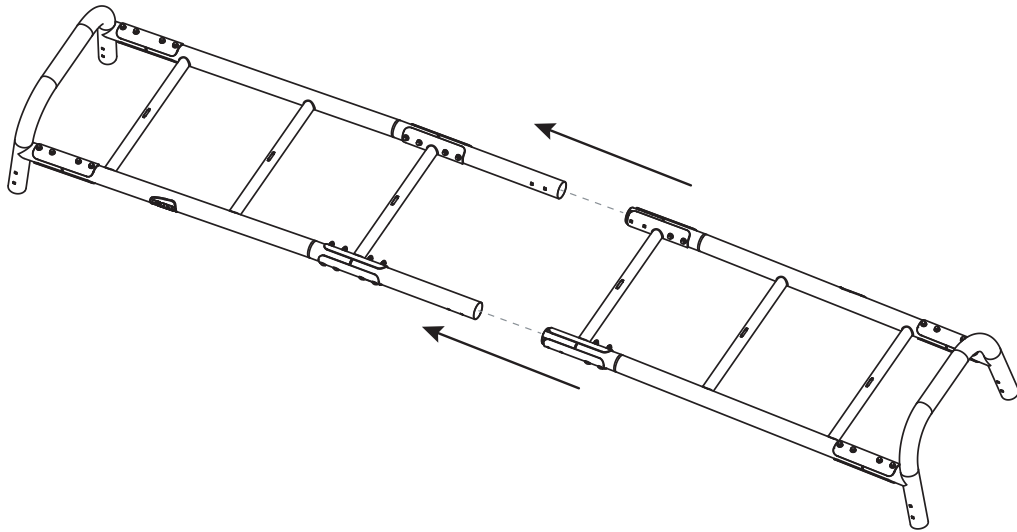
7



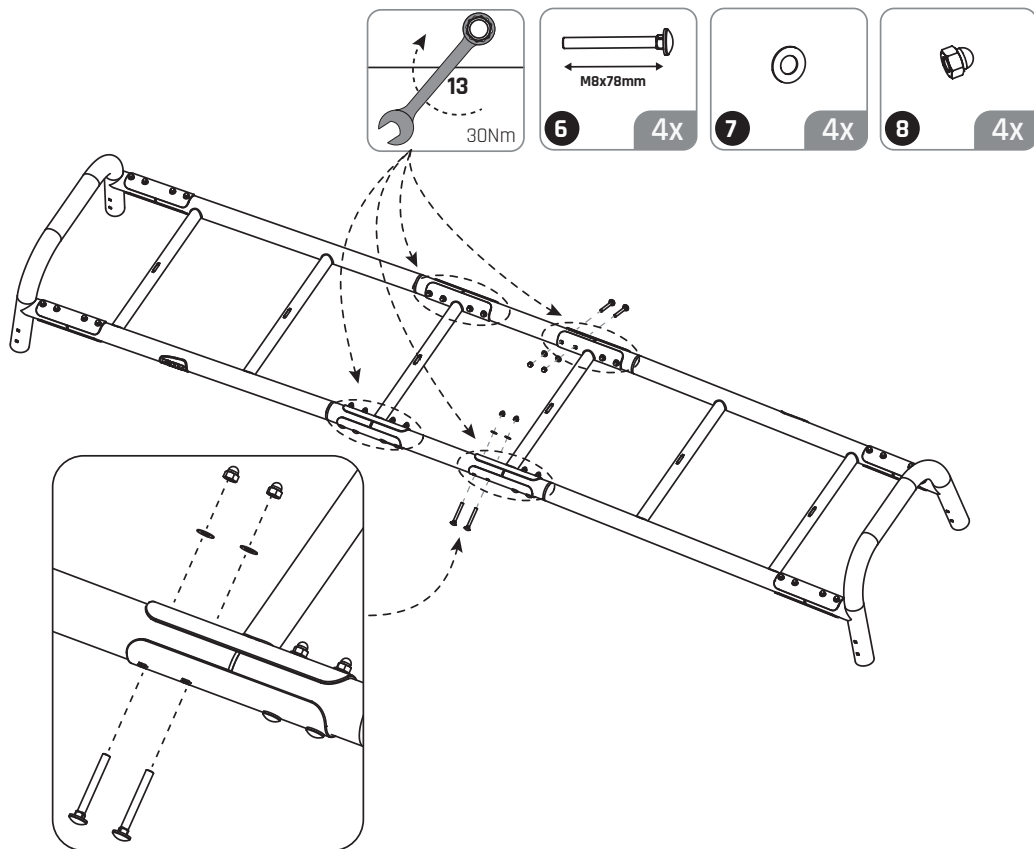
8

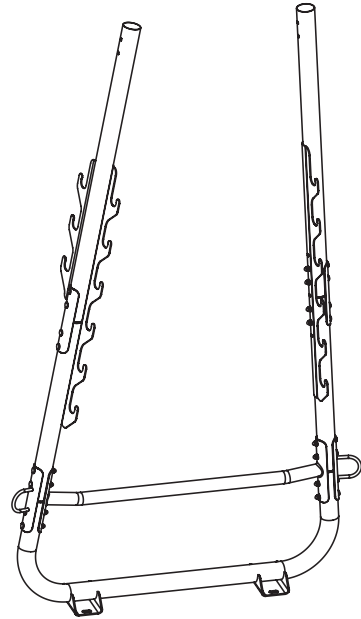


9




10






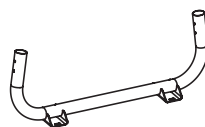
- 1**



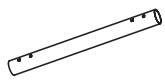
61.80.30.00 | 4X
 - 2**



61.80.30.10 | 2X
 - 3**

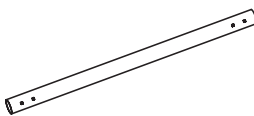


61.82.10.30 | 1X
 - 4**



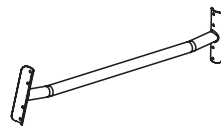
645mm

61.82.20.65 | 2X
 - 5**

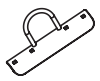


1060mm

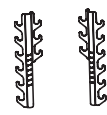
61.82.21.06 | 2X
 - 9**



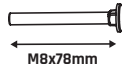
54.90.13.00 | 1X
 - 10**



54.90.16.00 | 2X
 - 11**




54.90.15.00 | 1X
 - 6**




M8x78mm

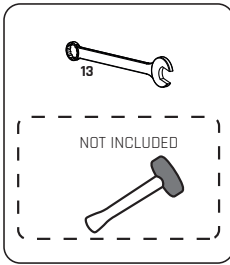
M8x78mm | 16X
 - 7**



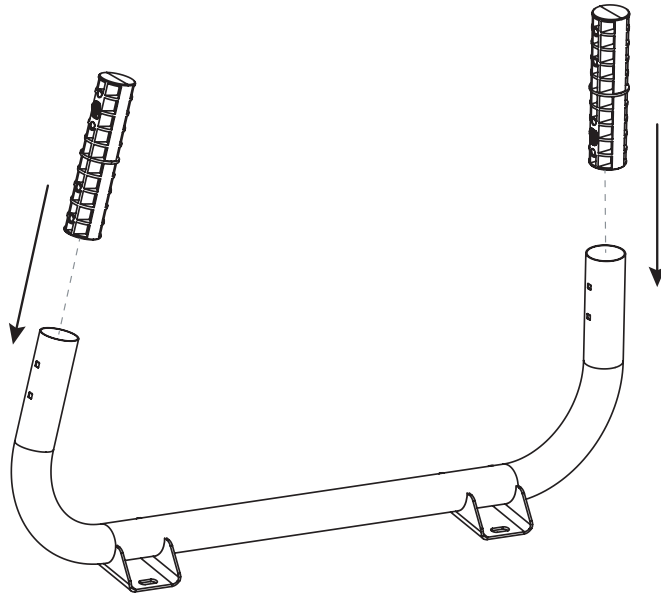
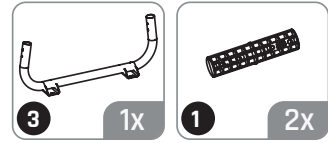
M8 | 16X
 - 8**



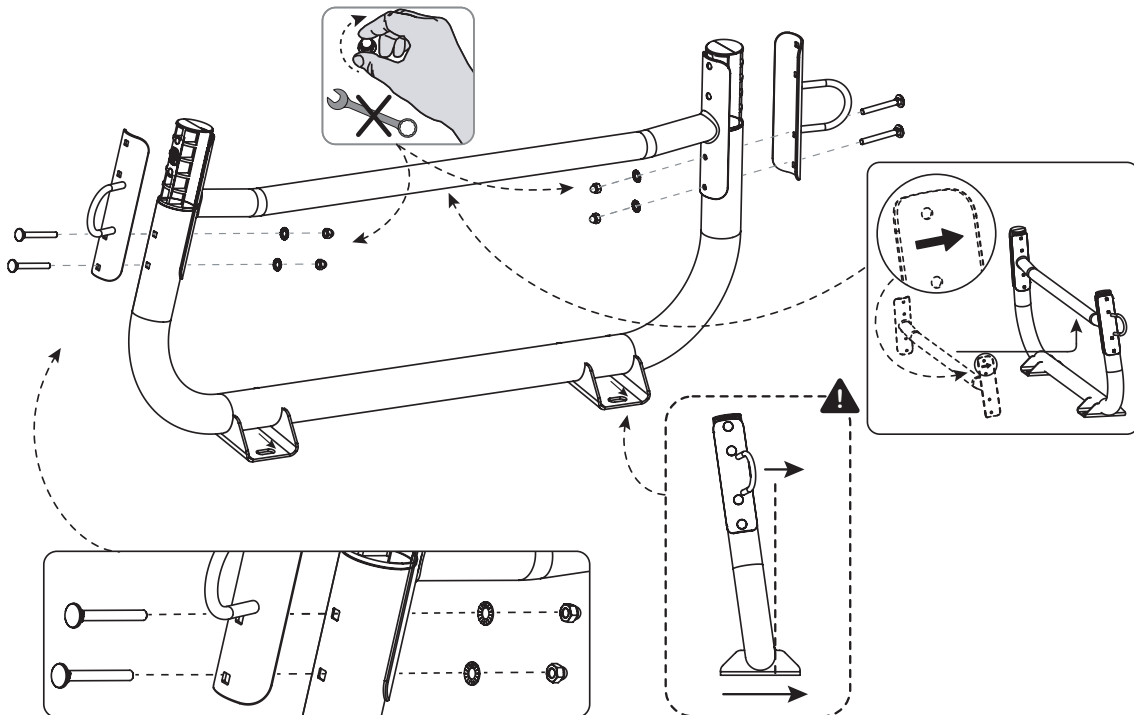
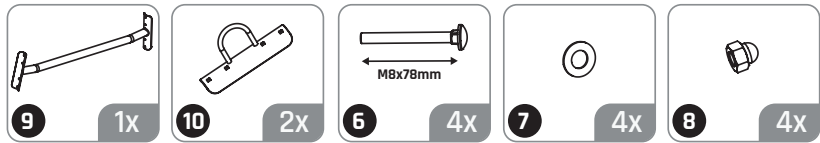
M8 | 16X
- 61.82.40.40 | 1X



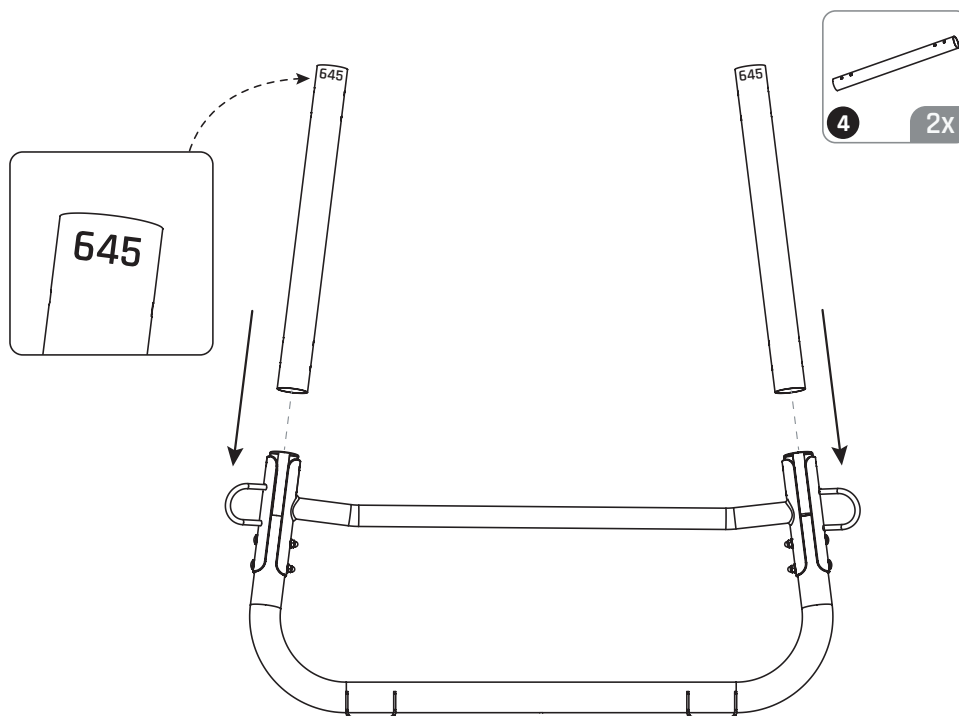
1



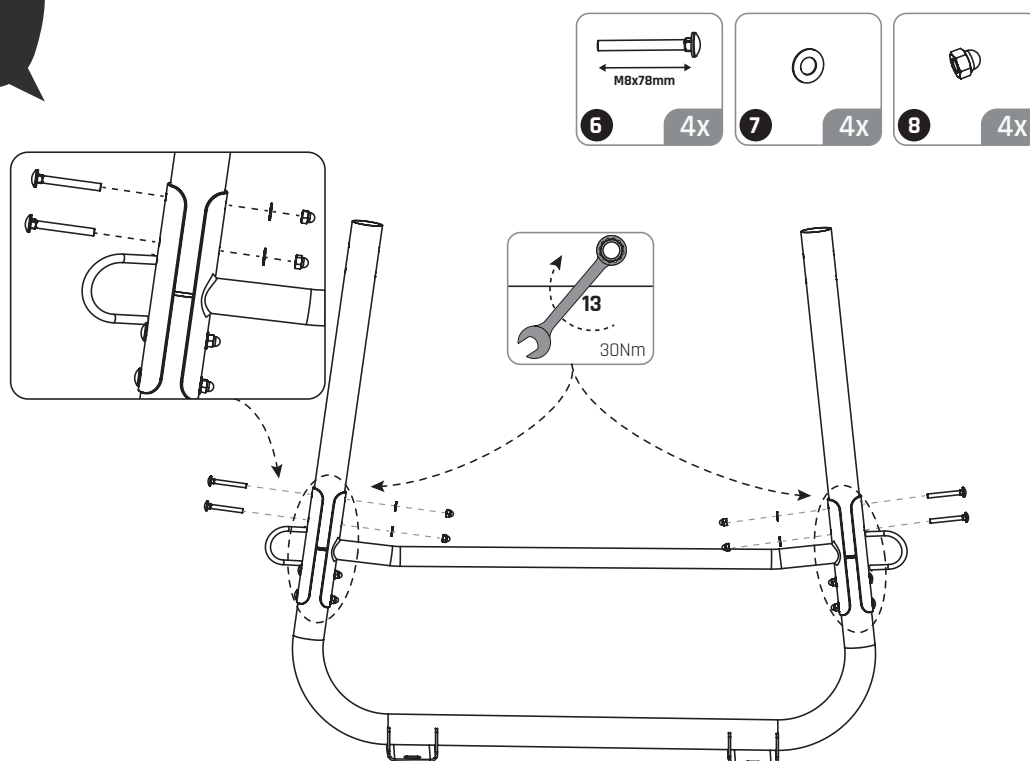
2



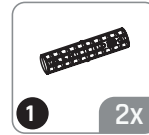
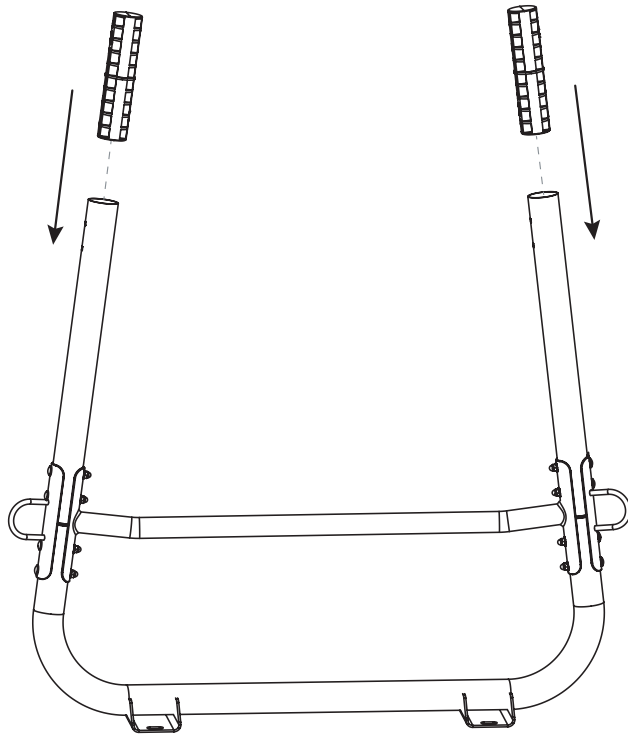
3



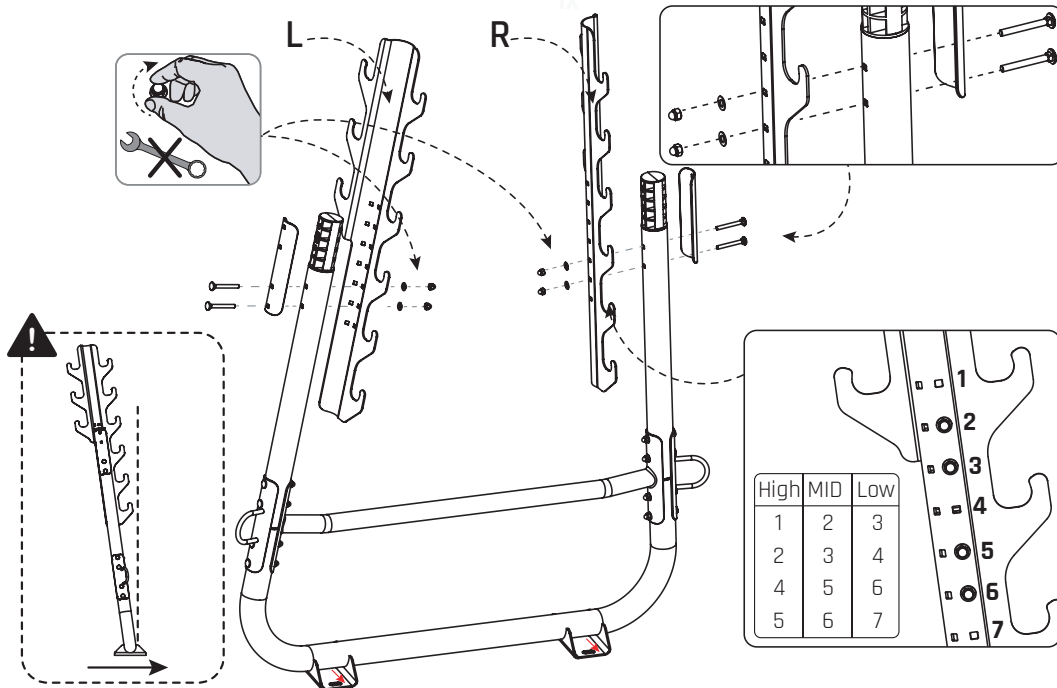
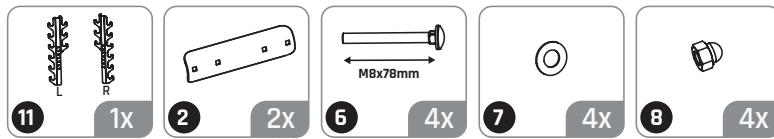
4



5

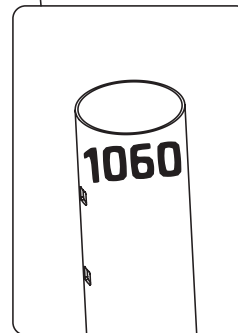
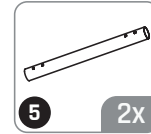
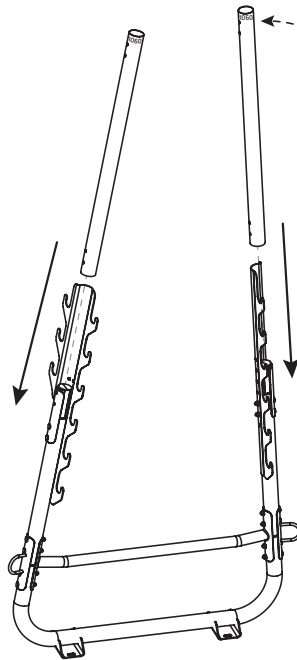


6

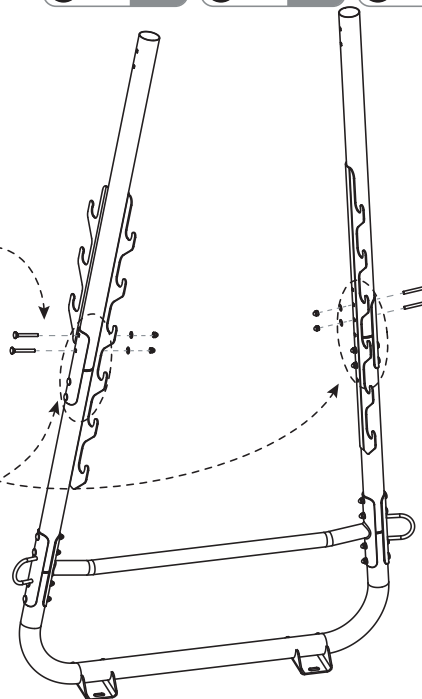
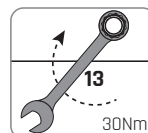
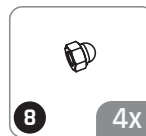
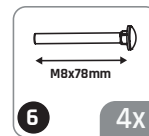
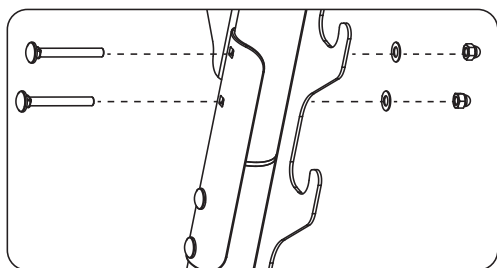


High	MID	Low
1	2	3
2	3	4
4	5	6
5	6	7

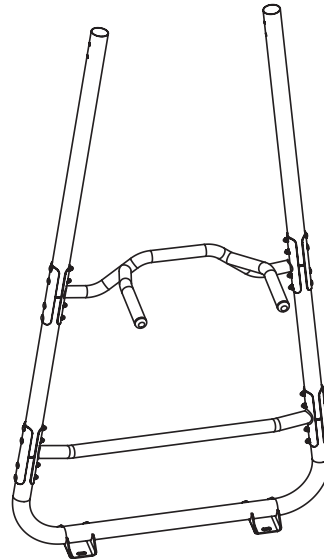
7



8







1



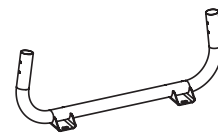
61.80.30.00 4X

2



61.80.30.10 4X

3



61.82.10.30 1X

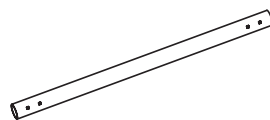
4



645mm

61.82.20.65 2X

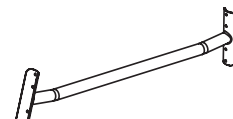
5



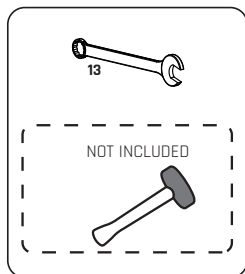
1060mm

61.82.21.06 2X

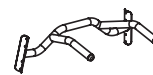
9



54.90.13.00 1X



10



54.90.12.00 1X

6



M8x78mm

M8x78mm 16X

7



M8 16X

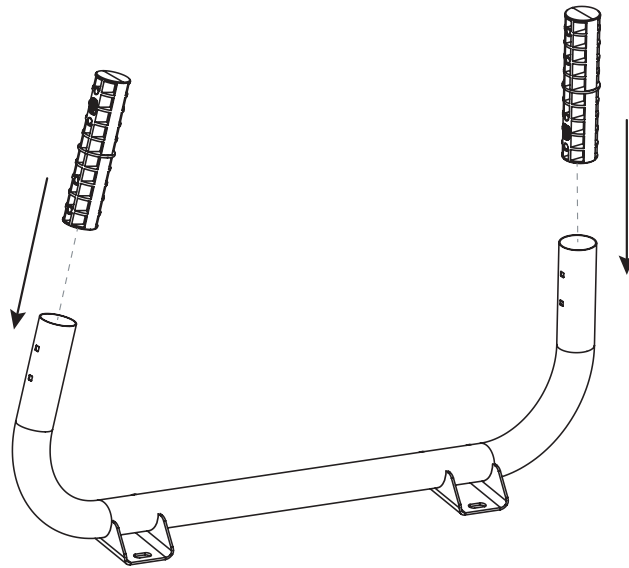
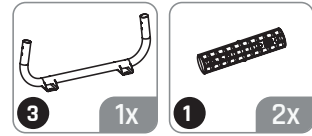
8



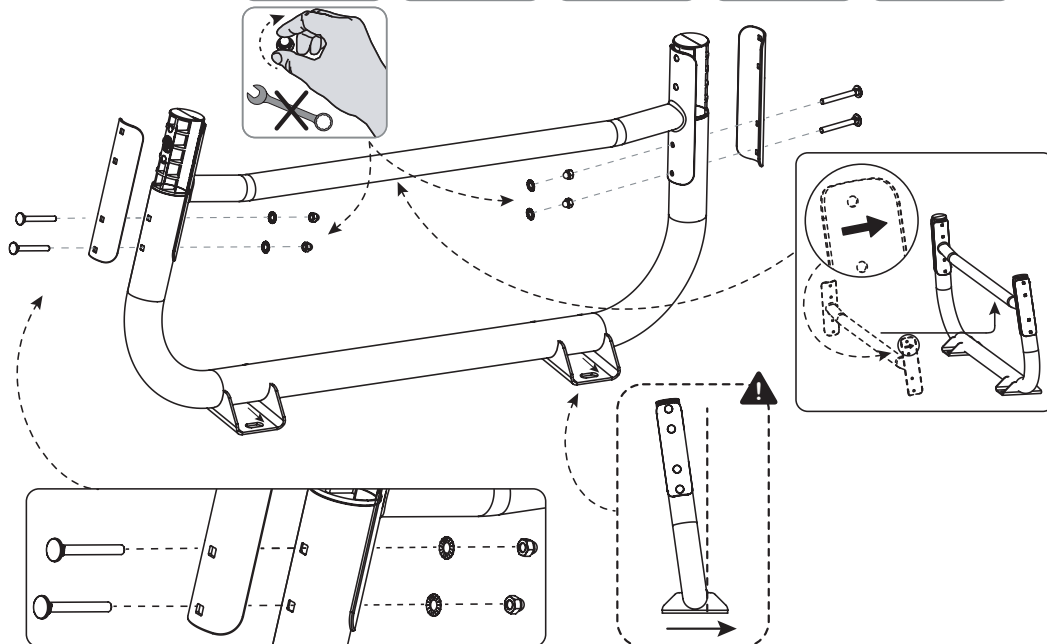
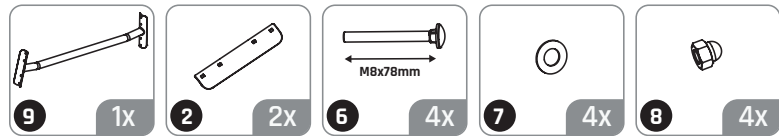
M8 16X

61.82.40.40 1X

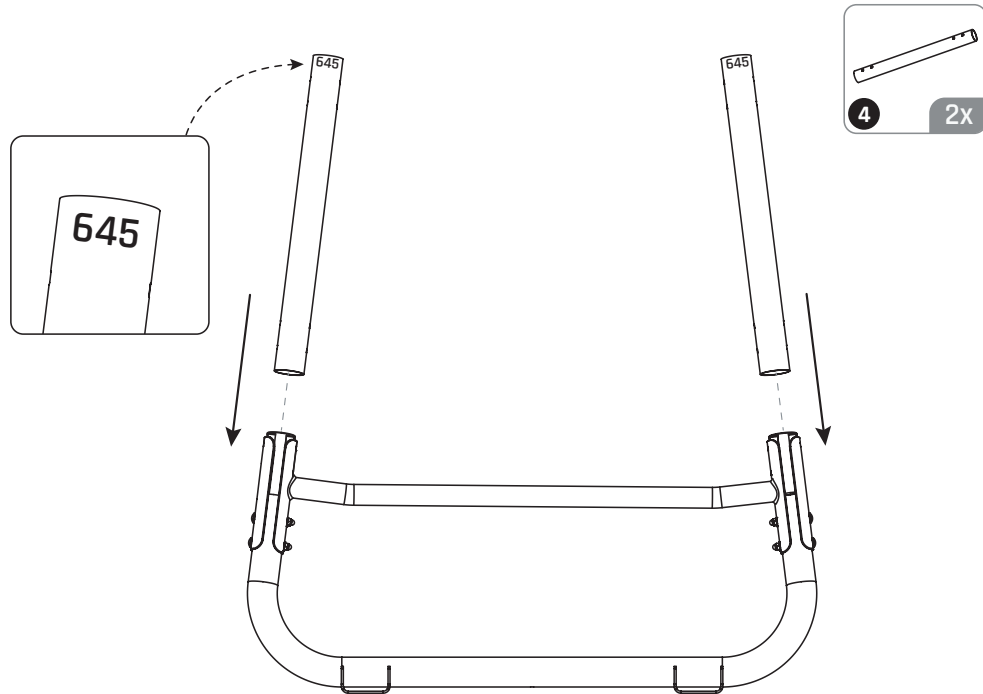
1



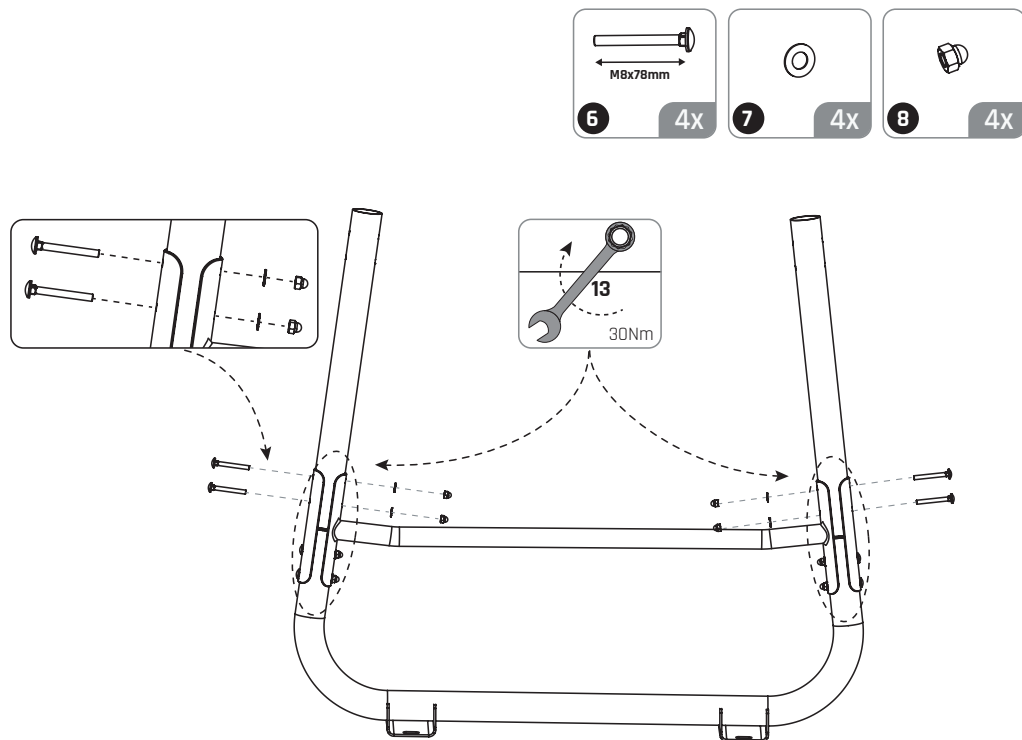
2



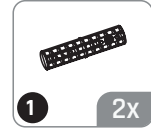
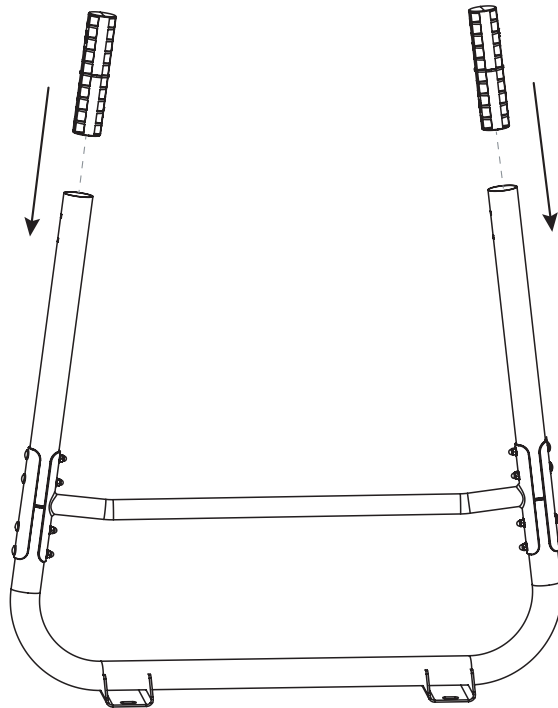
3



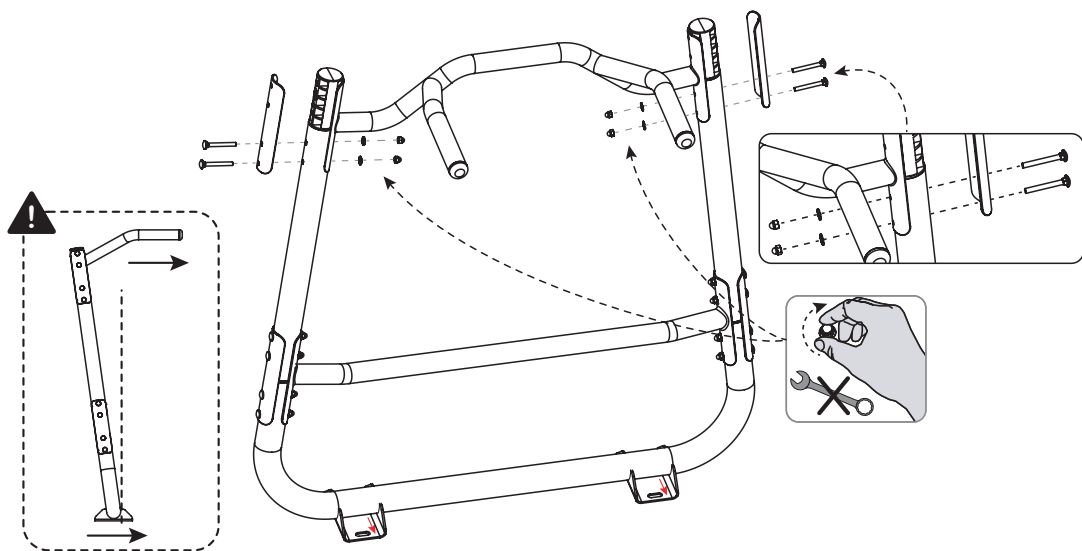
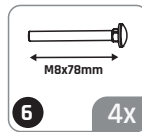
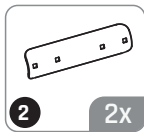
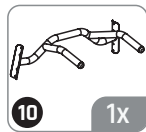
4



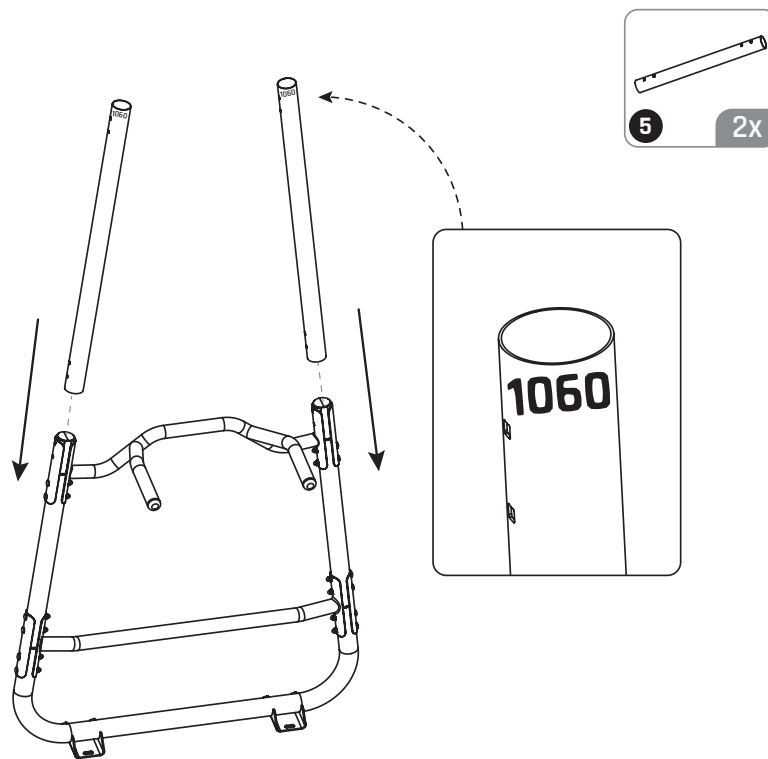
5



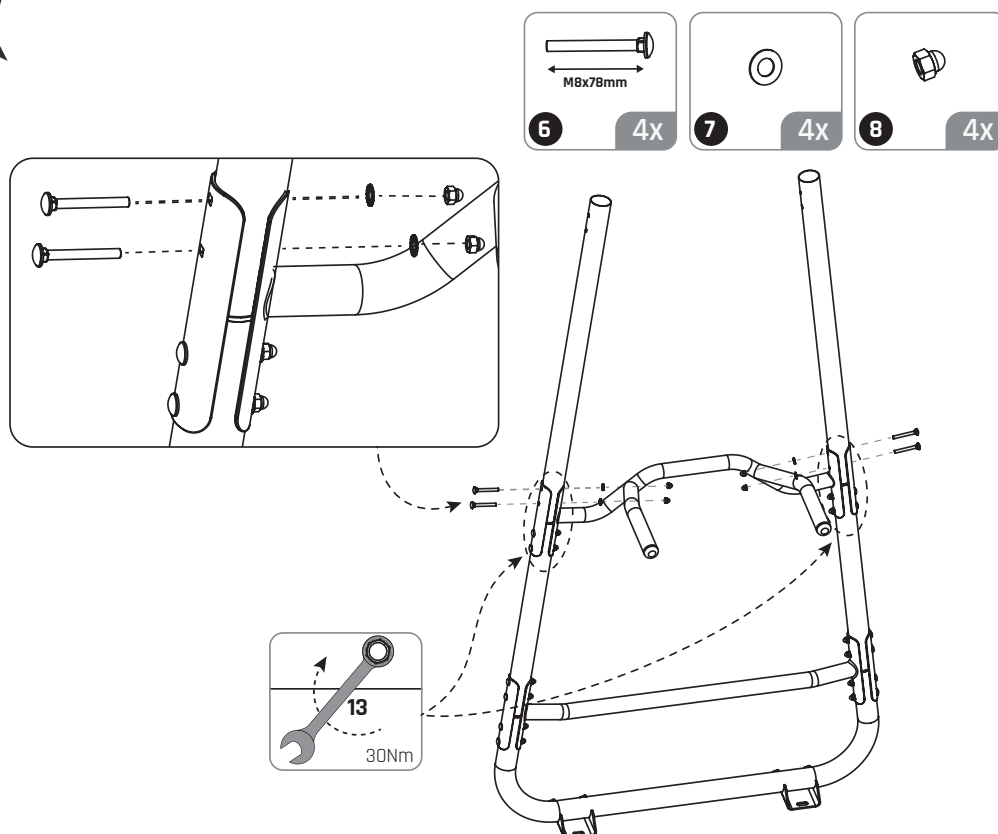
6



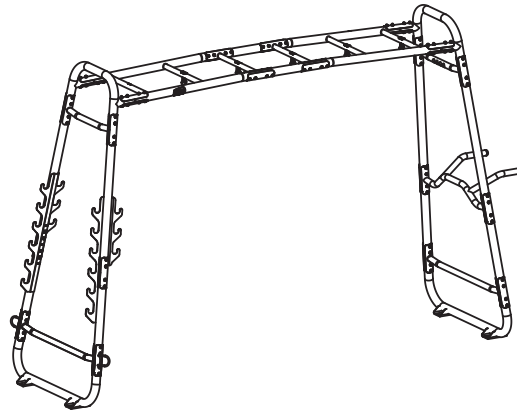
7



8







1



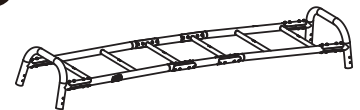
1X

2



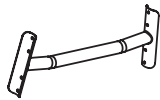
1X

3



1X

4



61.82.10.40 2X

5



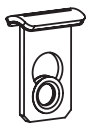
61.80.30.10 4X

6



61.80.30.00 4X

7

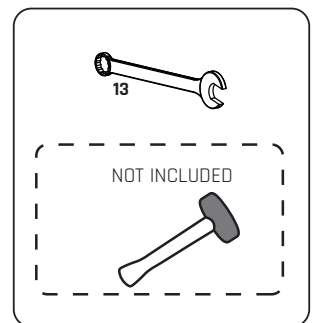


61.80.30.40 5X

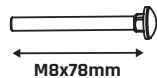
8



61.80.30.50 5X



9



M8x78mm 16X

10



M8 16X

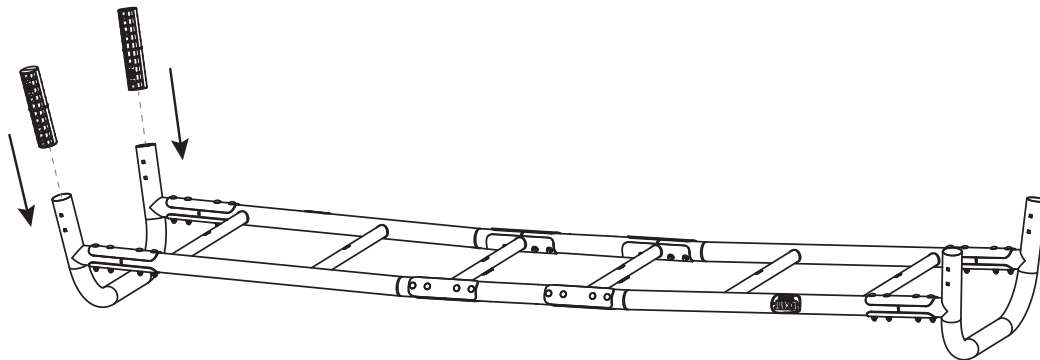
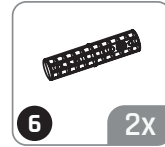
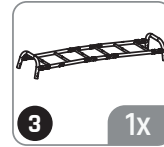
11



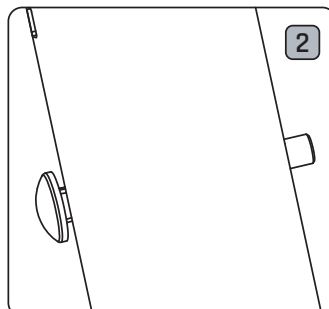
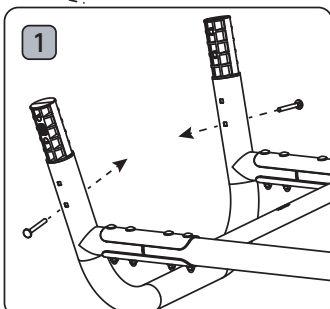
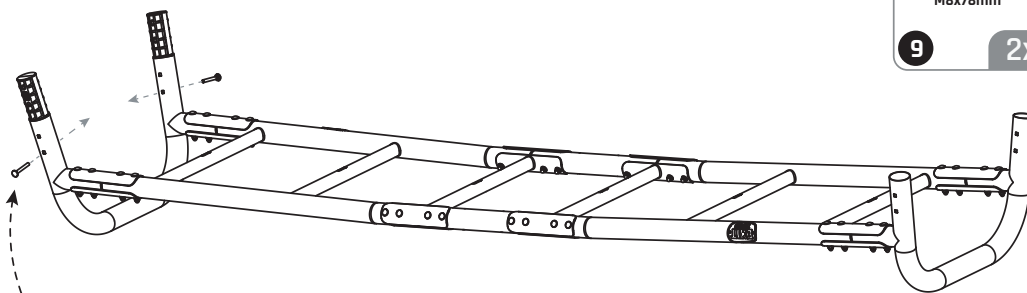
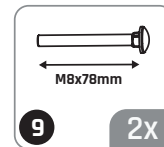
M8 16X

61.82.40.40 1X

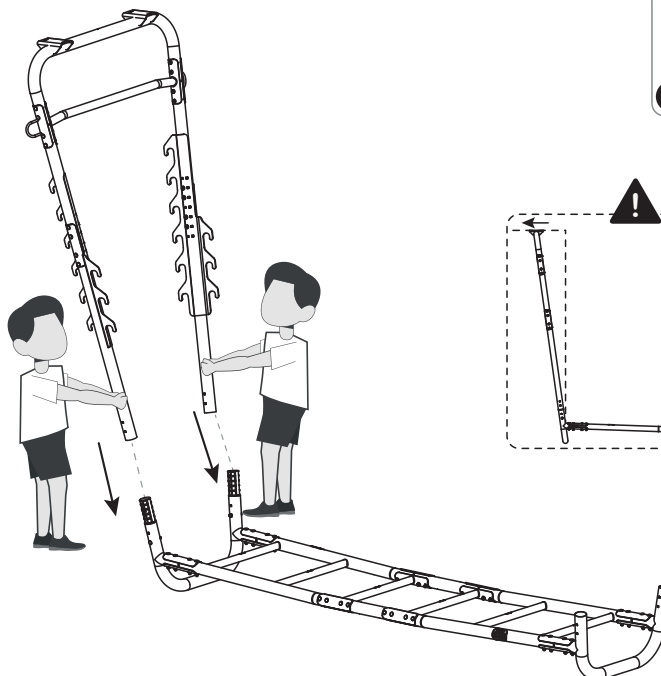
1



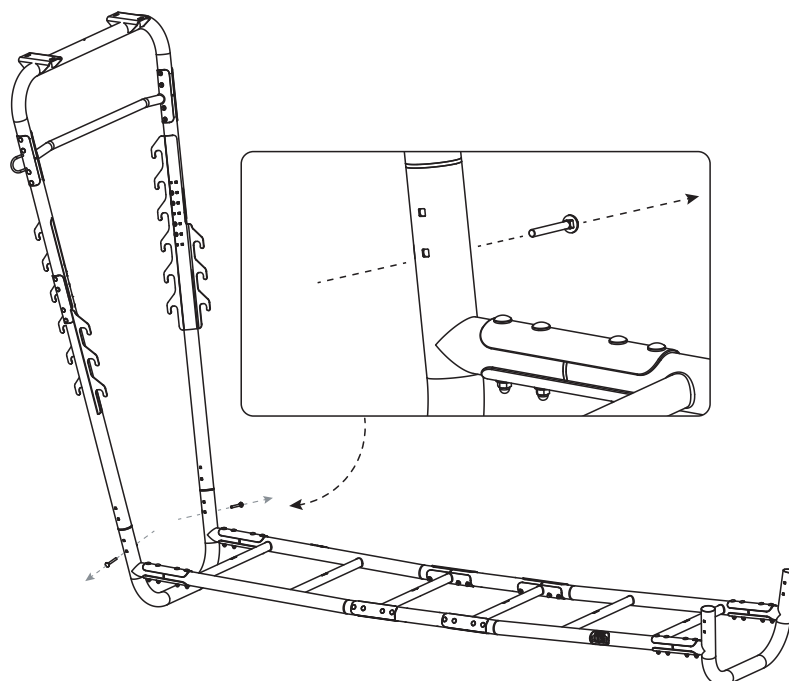
2




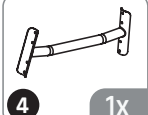
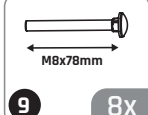


3

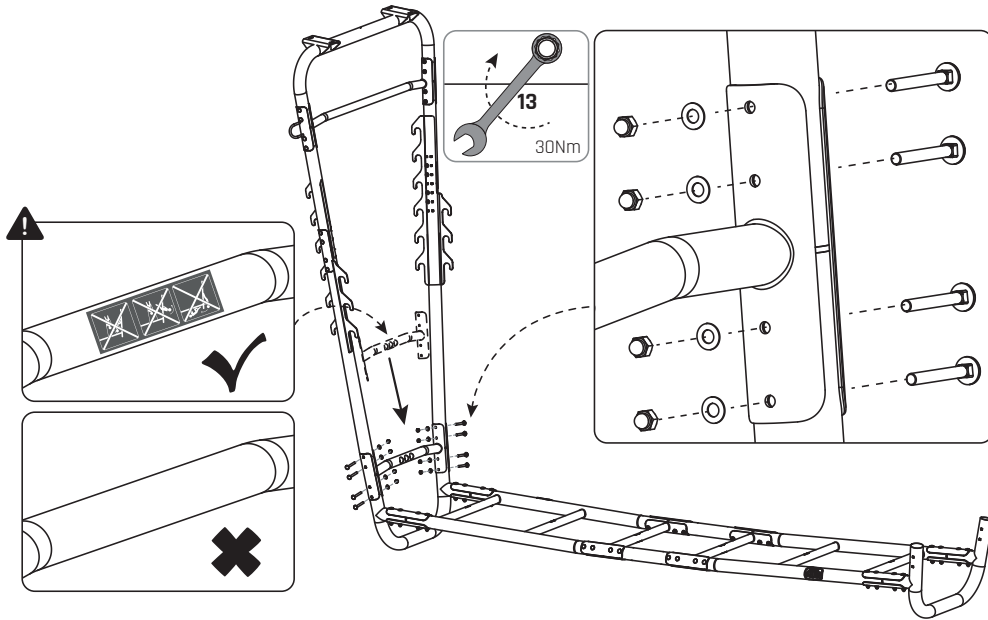


4



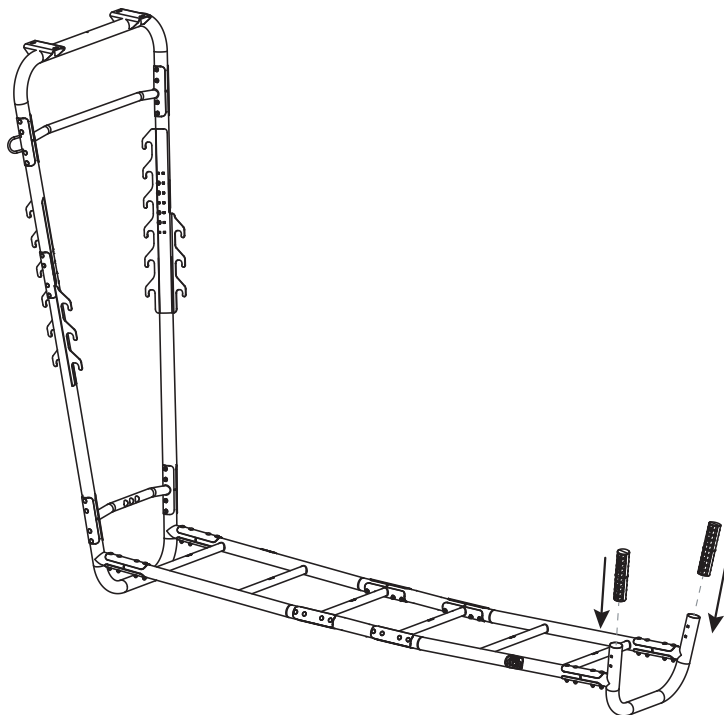
5

- 
5
2x
- 
4
1x
- 
9
8x
- 
10
8x
- 
11
8x

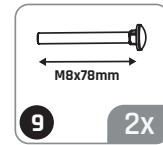
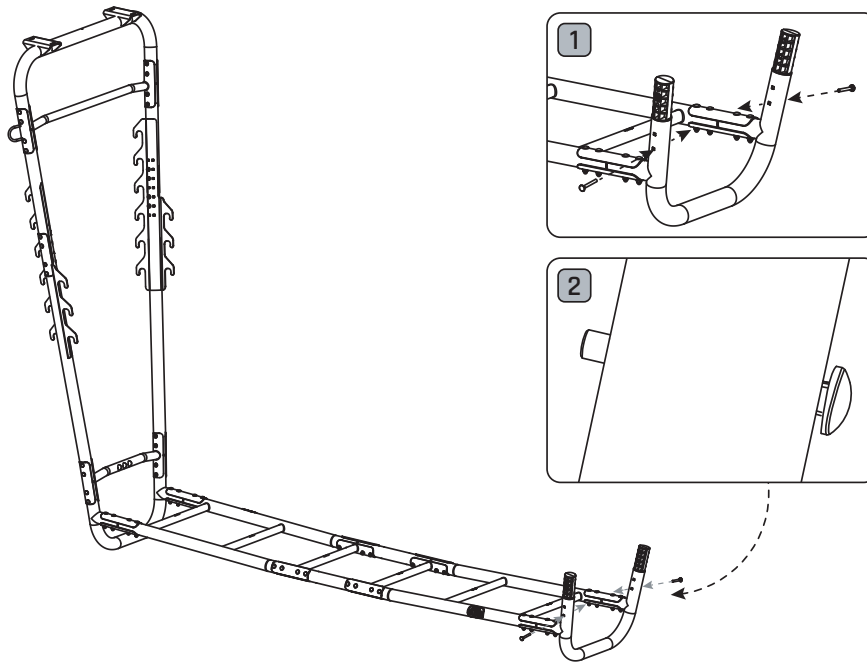


6

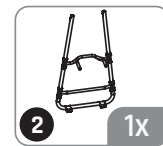
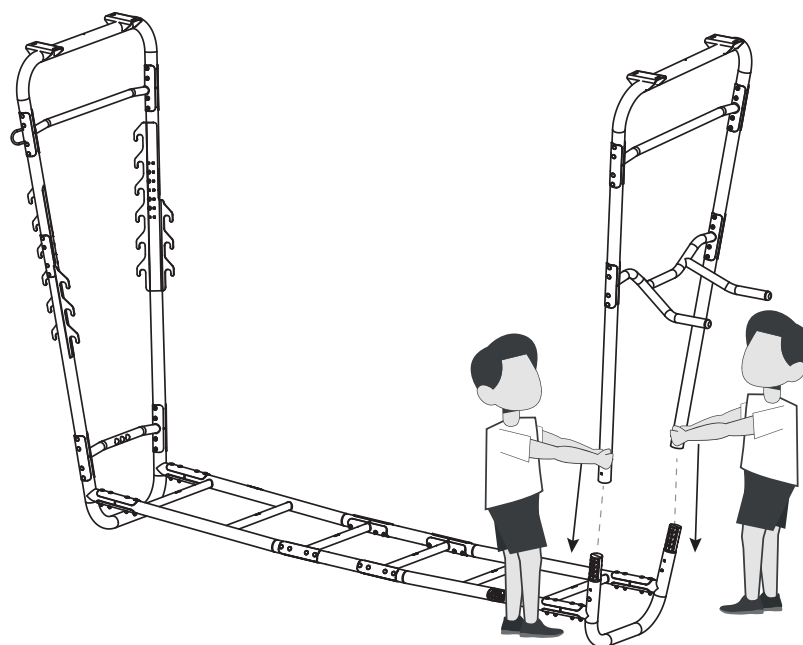
- 
6
2x



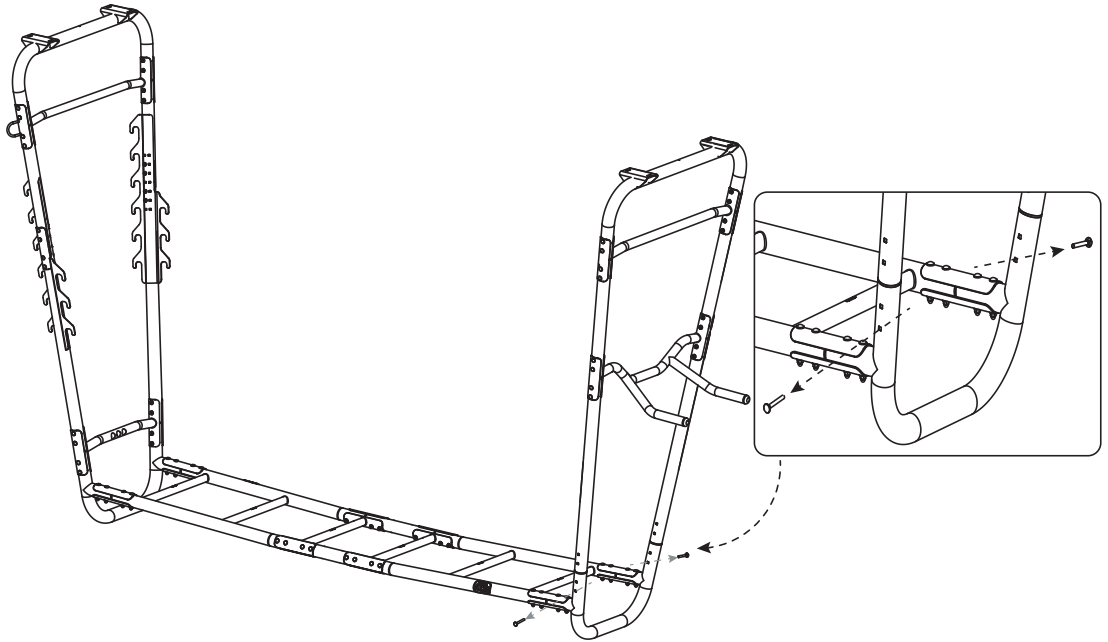
7




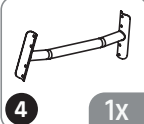
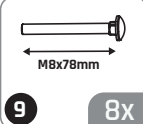


8

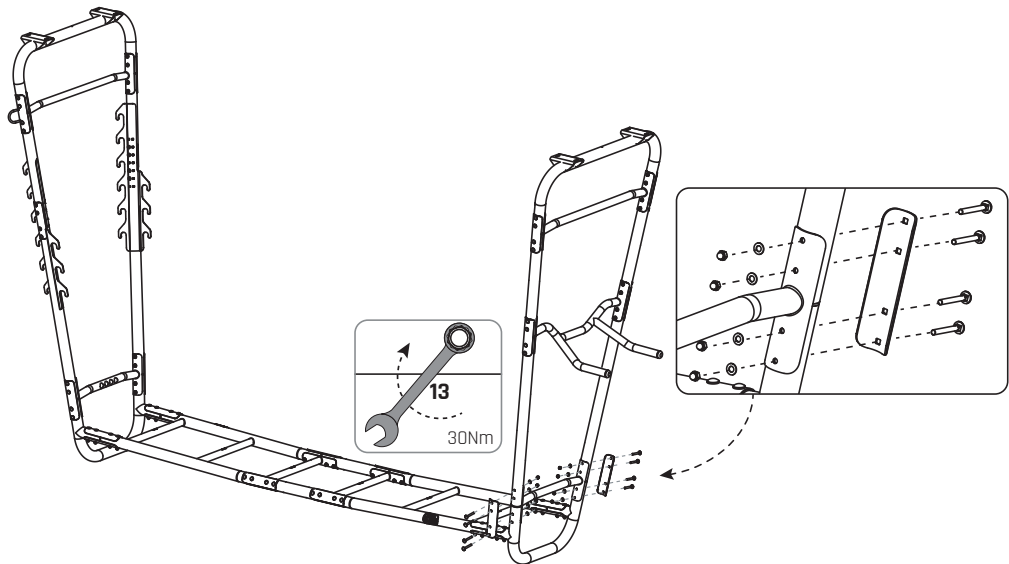


9

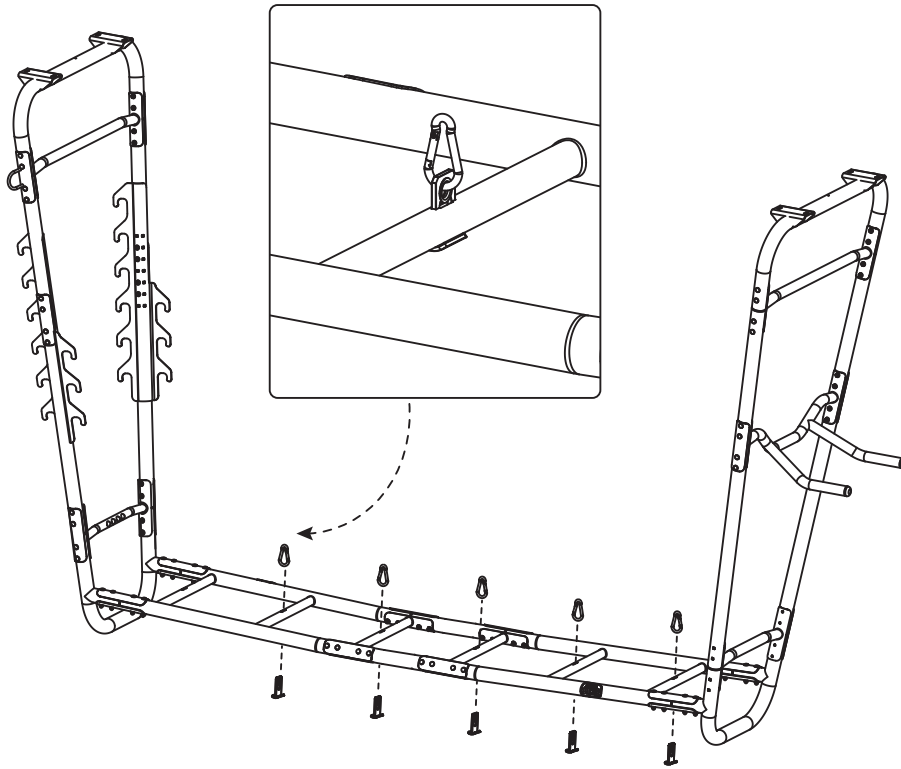


10

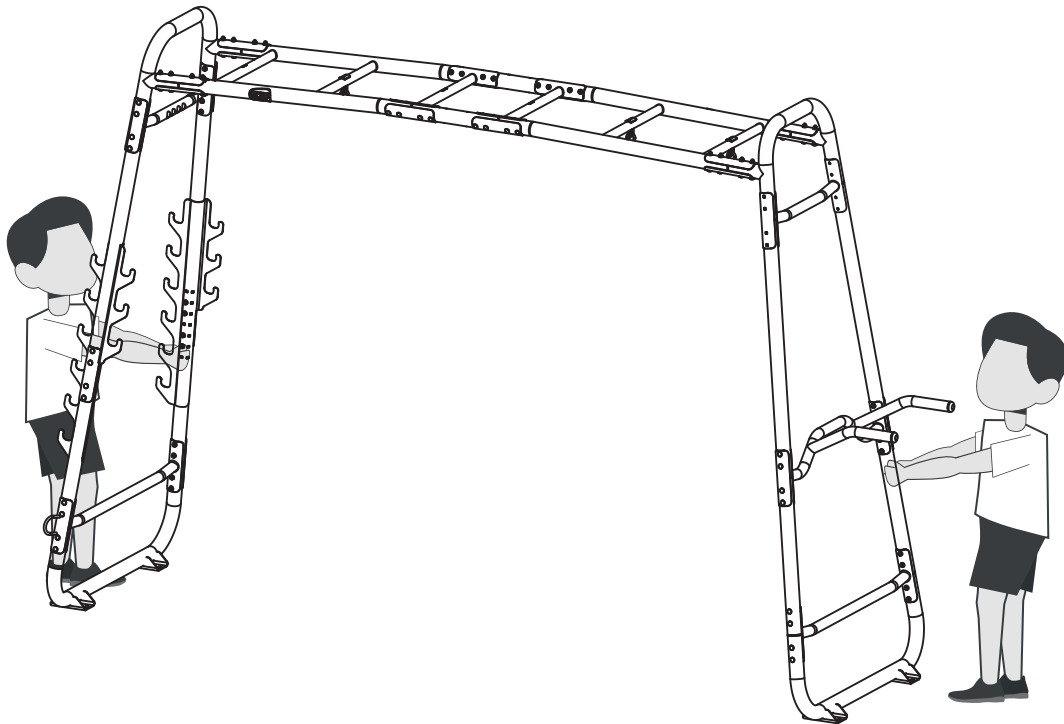
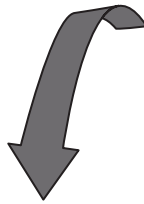
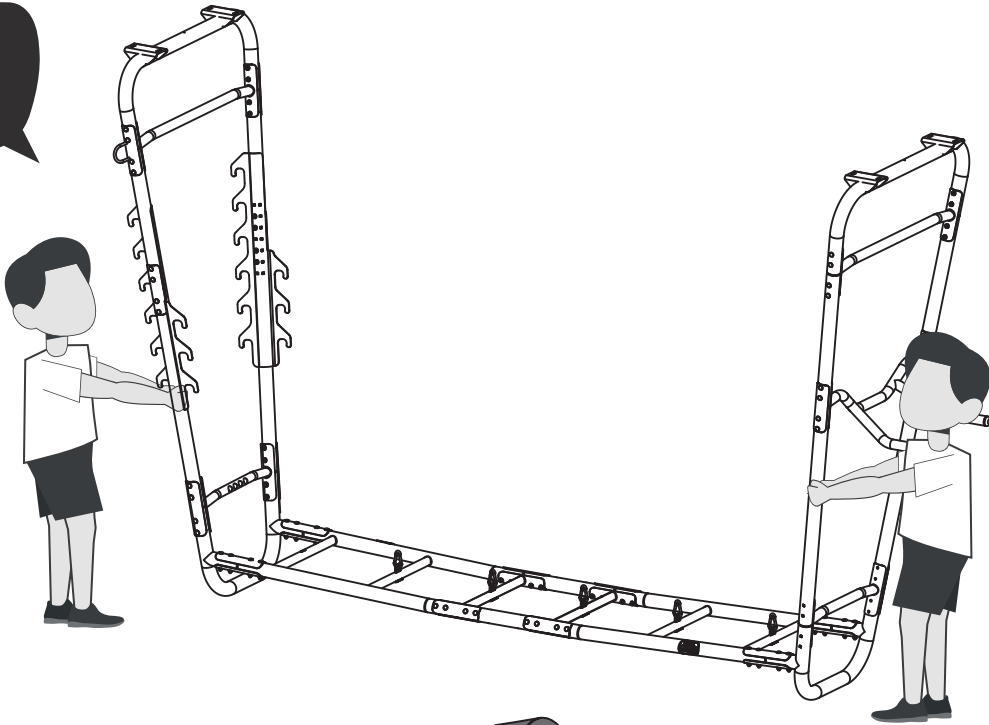
- | | | | | |
|---|---|--|---|---|
|  |  |  |  |  |
| 5 | 4 | 9 | 10 | 11 |
| 2x | 1x | 8x | 8x | 8x |



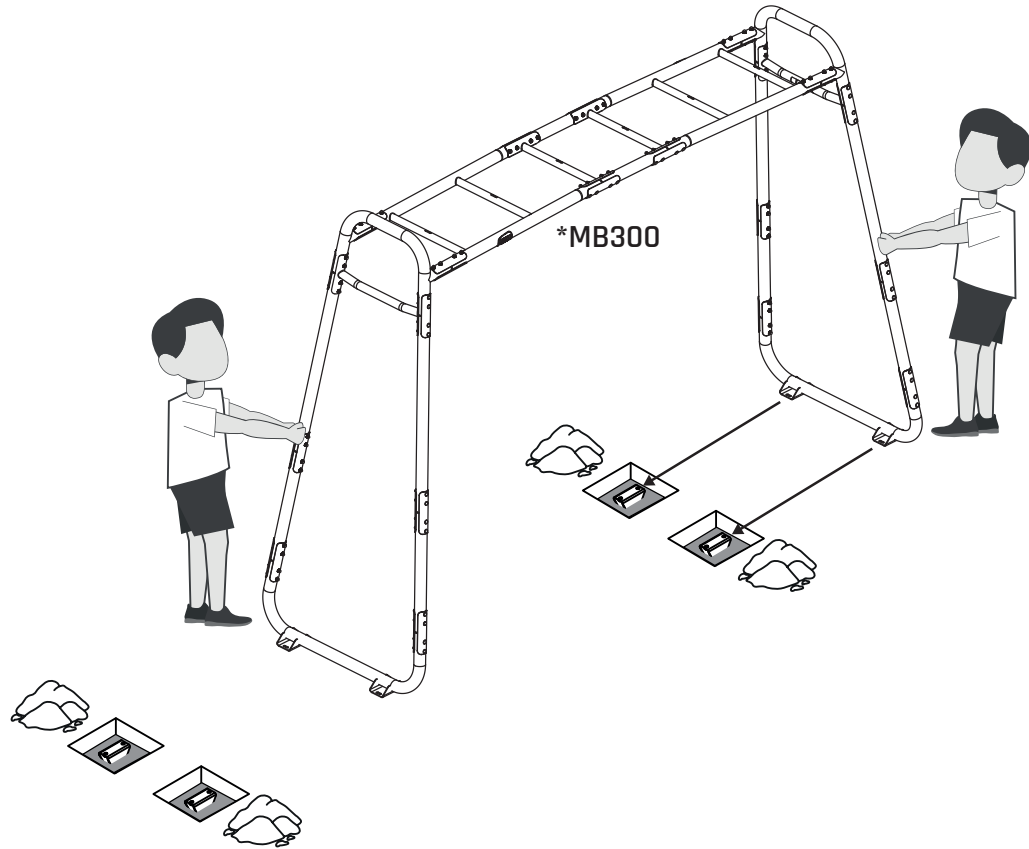
11



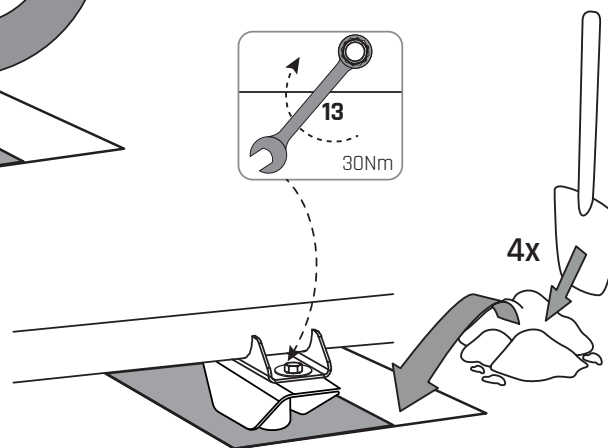
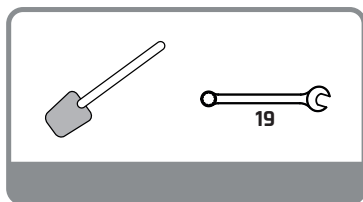
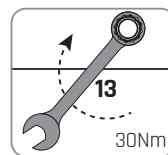
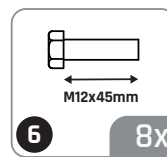
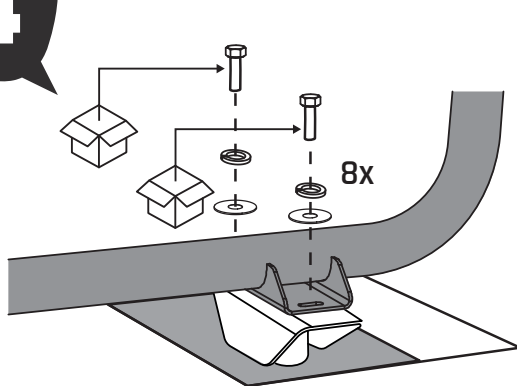
12

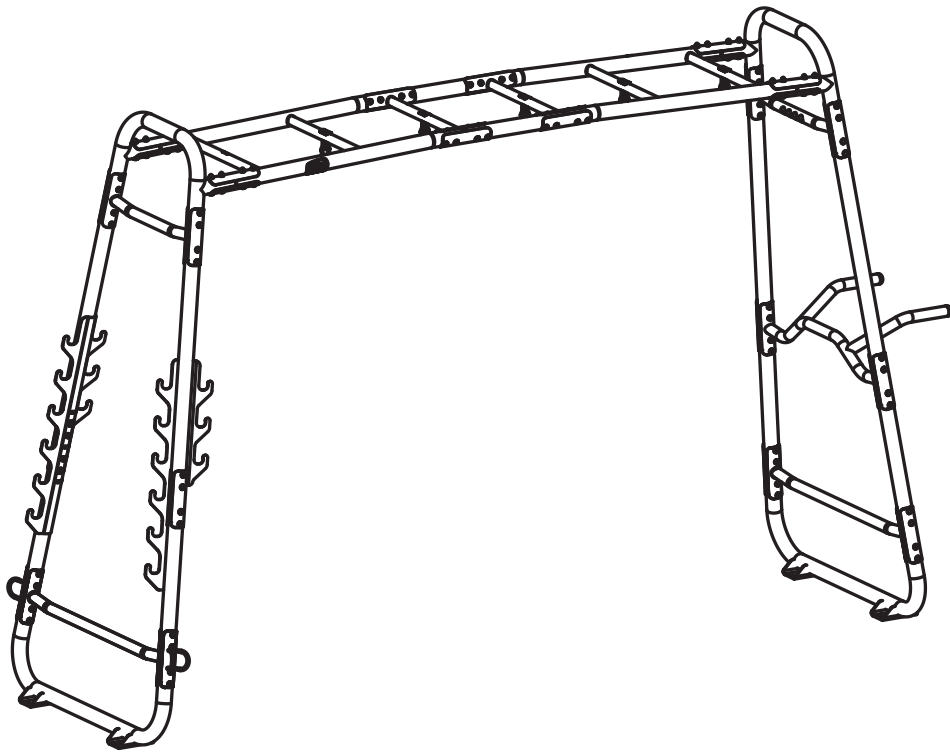
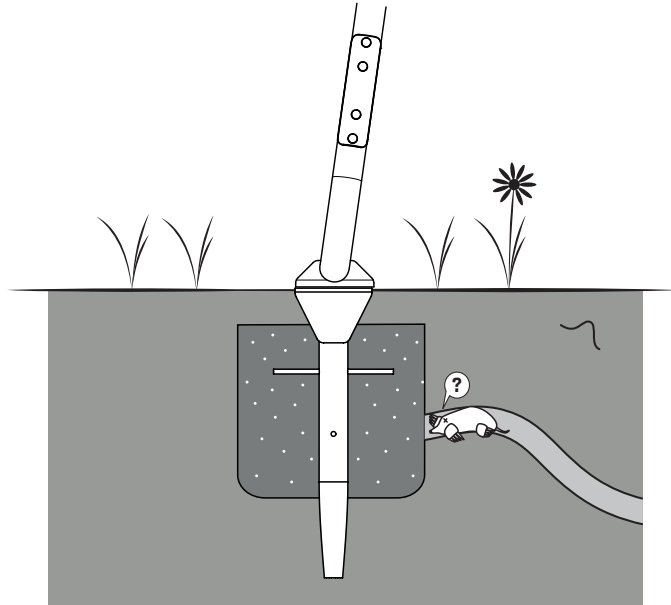


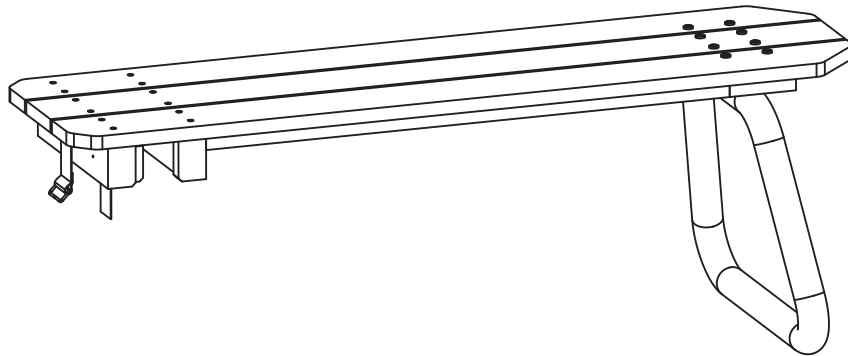
13



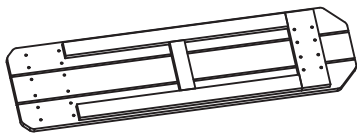
14





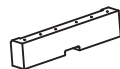


1



61.90.22.00	1X
-------------	----

2



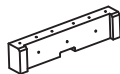
61.90.22.20	1X
-------------	----

3



54.90.22.10	1X
-------------	----

4



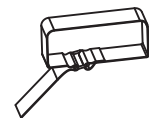
61.90.22.10	1X
-------------	----

5



60.90.22.30	1X
-------------	----

6



1X	
----	--

7



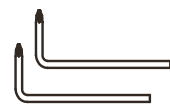
ST4x45mm	15X
----------	-----

8



M6x15mm	8X
M6x35mm	8X

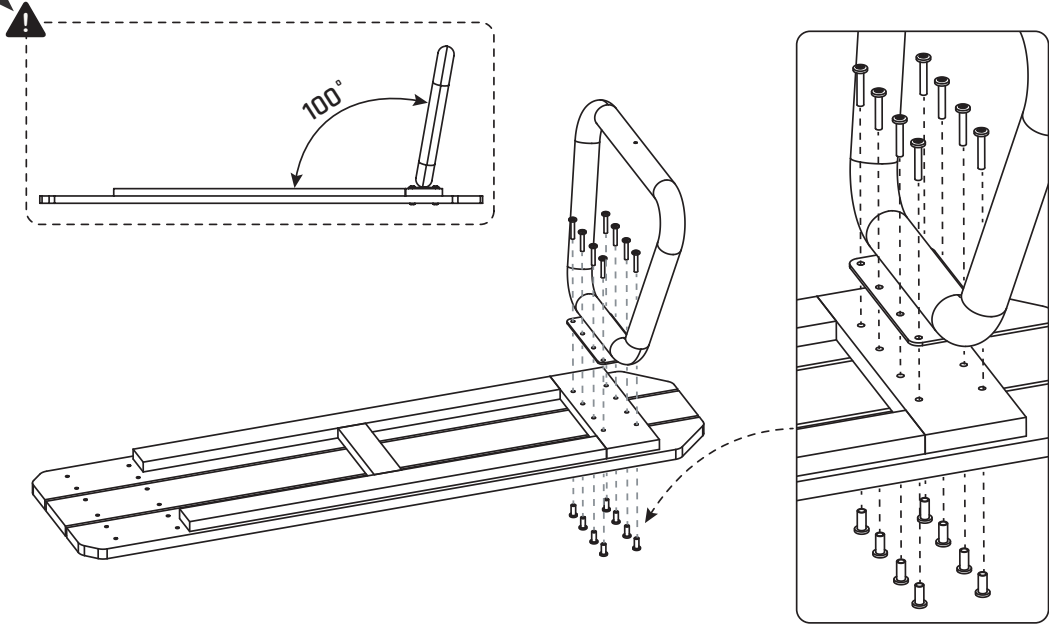
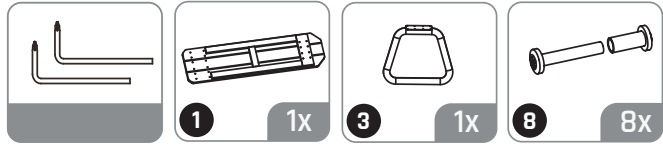
9



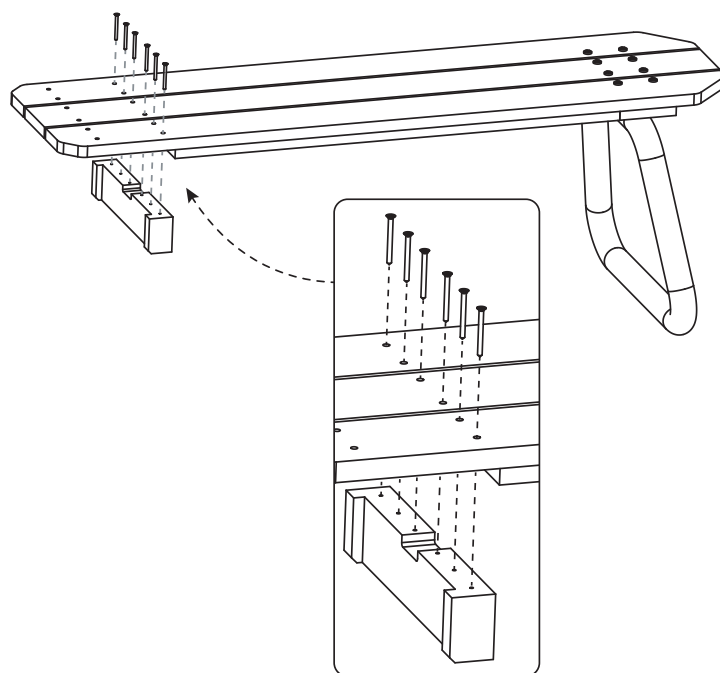
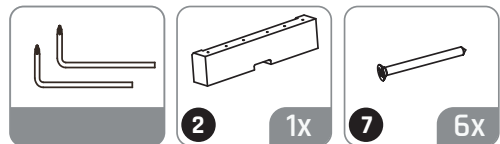
M6	2X
----	----

61.90.22.40	1X
-------------	----

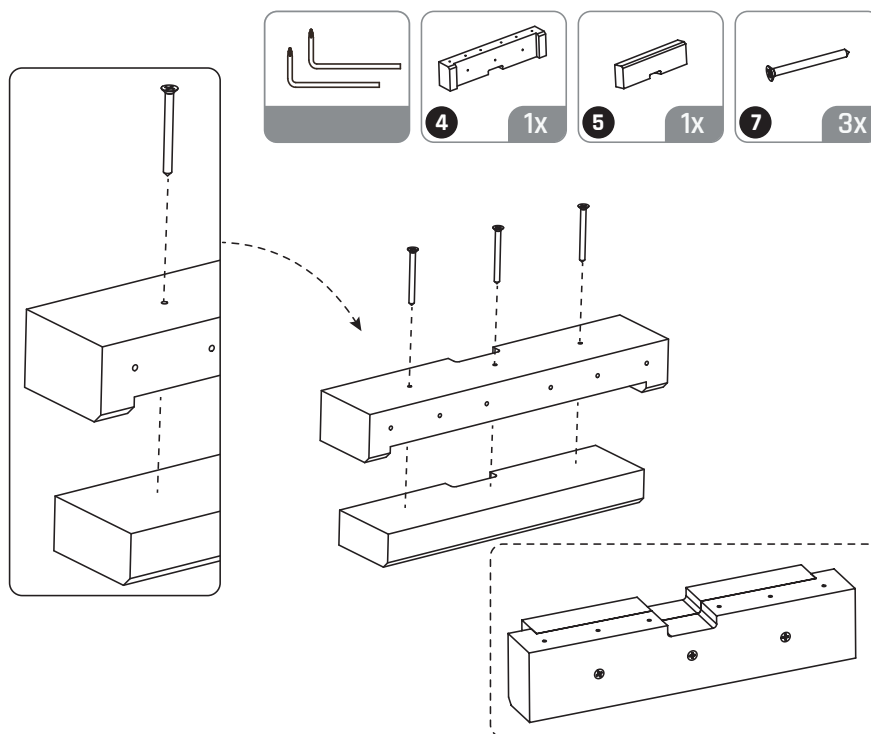
1



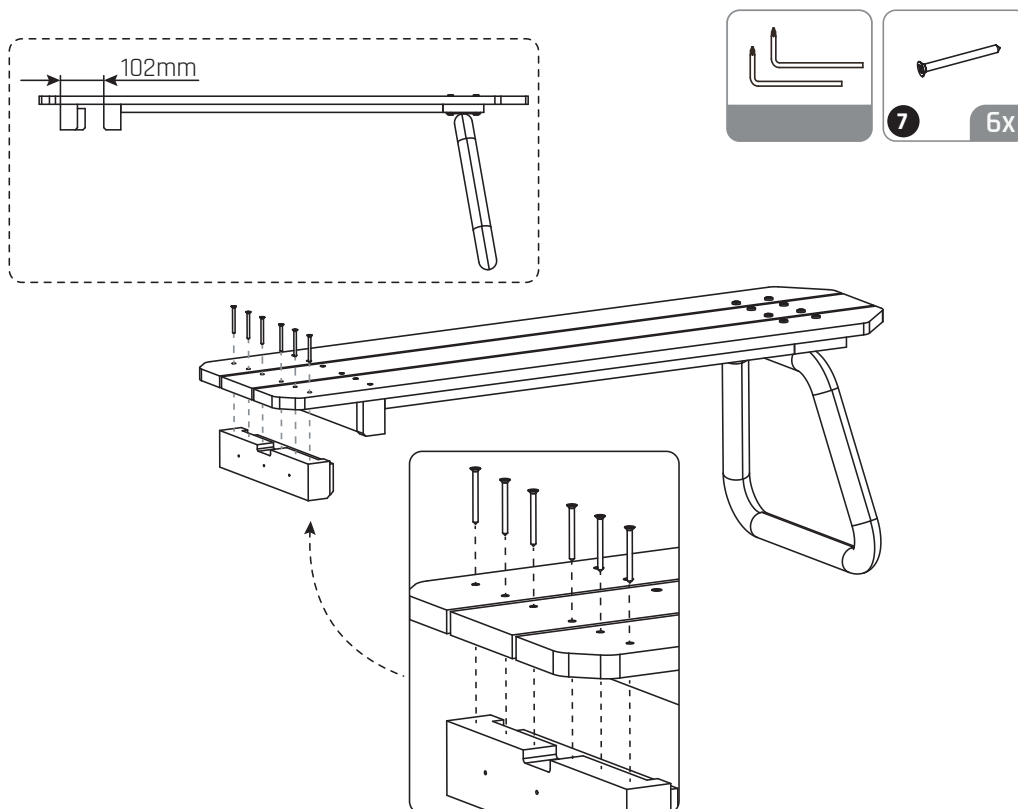
2



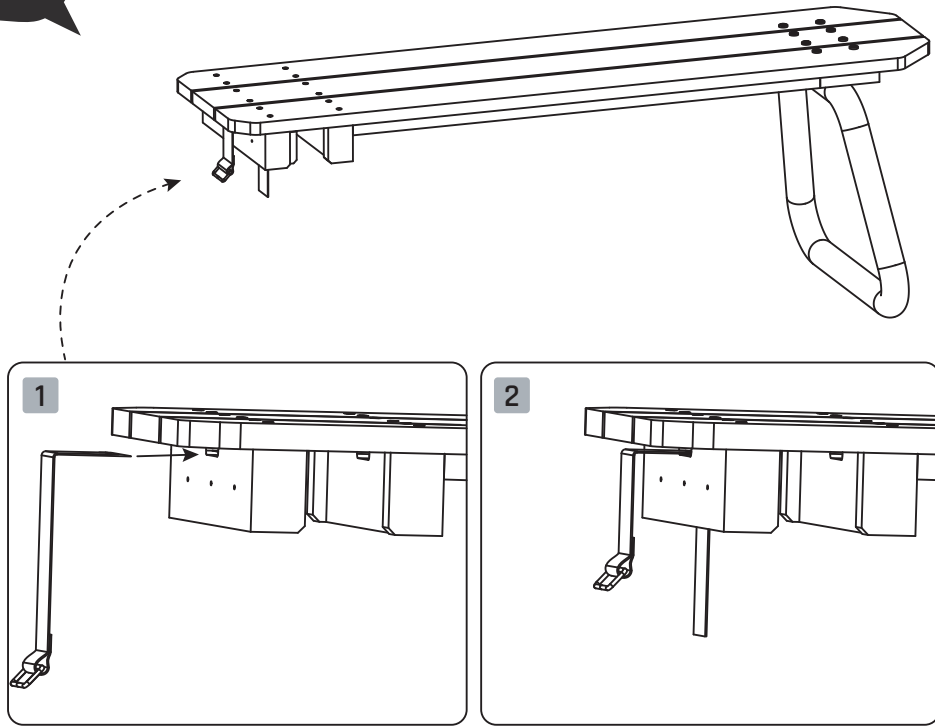
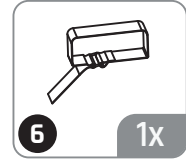
3

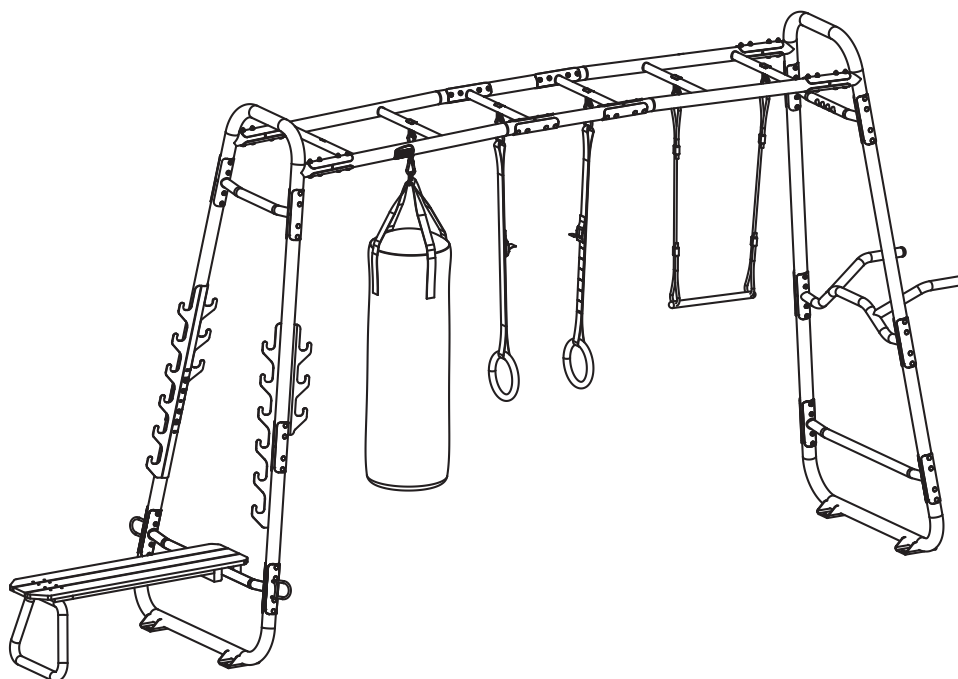


4

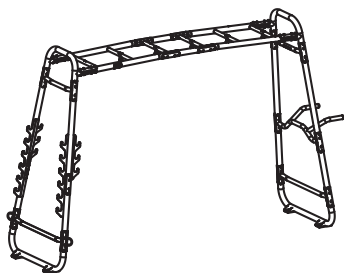


5





1



1X

2



54.90.43.00 1X

3



54.90.30.00 1X

4



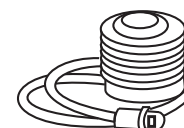
54.90.42.00 1X

5



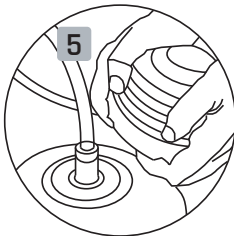
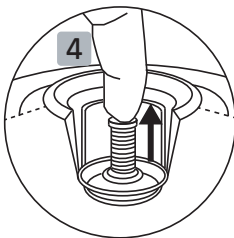
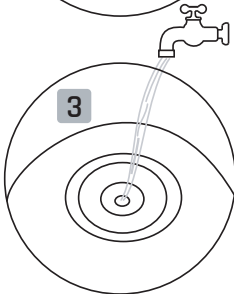
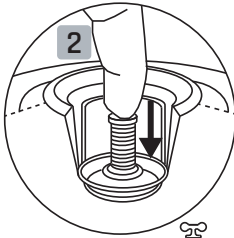
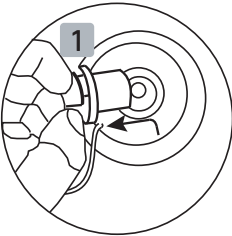
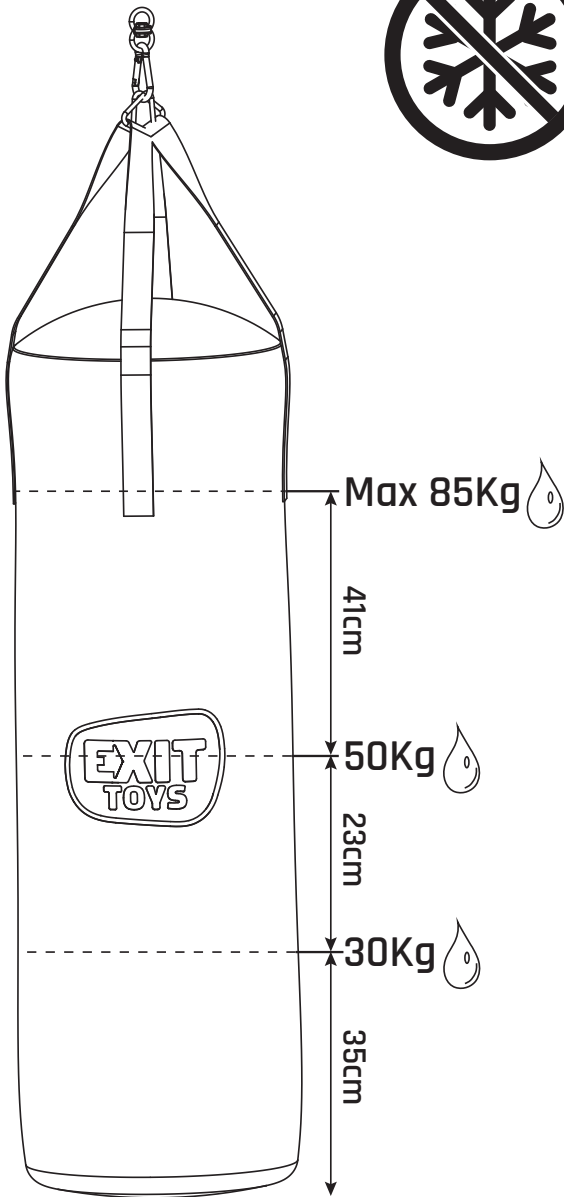
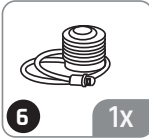
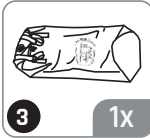
1X

6

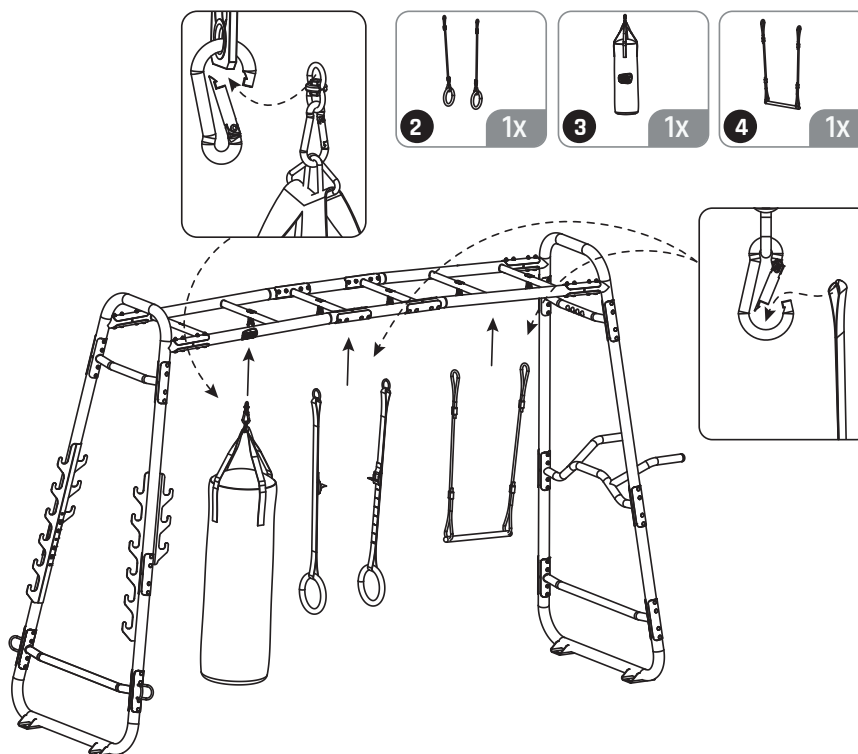


1X

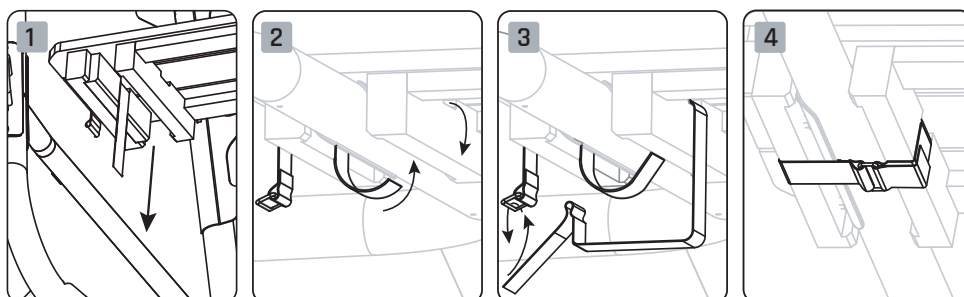
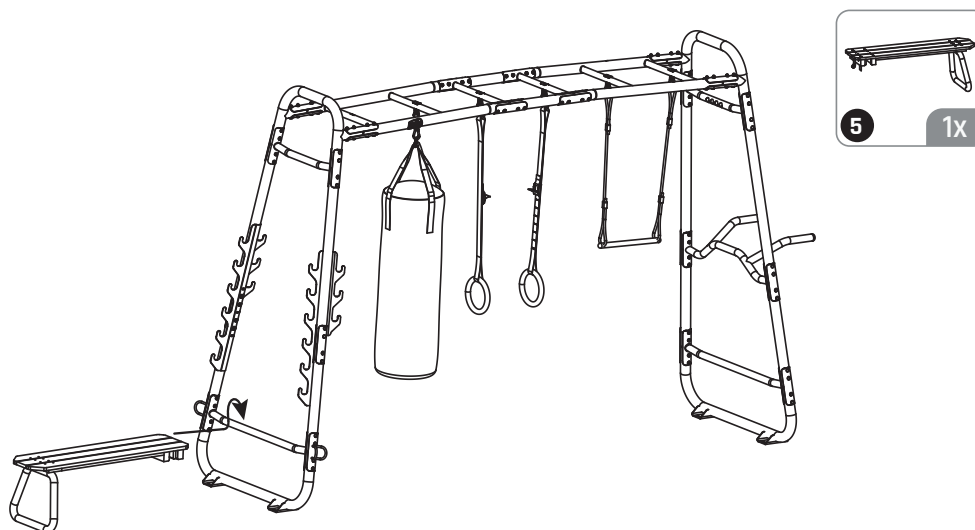
1



2



3







www.exittoys.com



Contact Information:

Dutch Toys Group B.V.
Edisonstraat 83
7006 RB Doetinchem, The Netherlands

info@exittoys.com
www.exittoys.com

EXIT Toys is part of:

SIMBA · DICKIE · GROUP

EXIT Toys is a registered trade mark of Dutch Toys Group