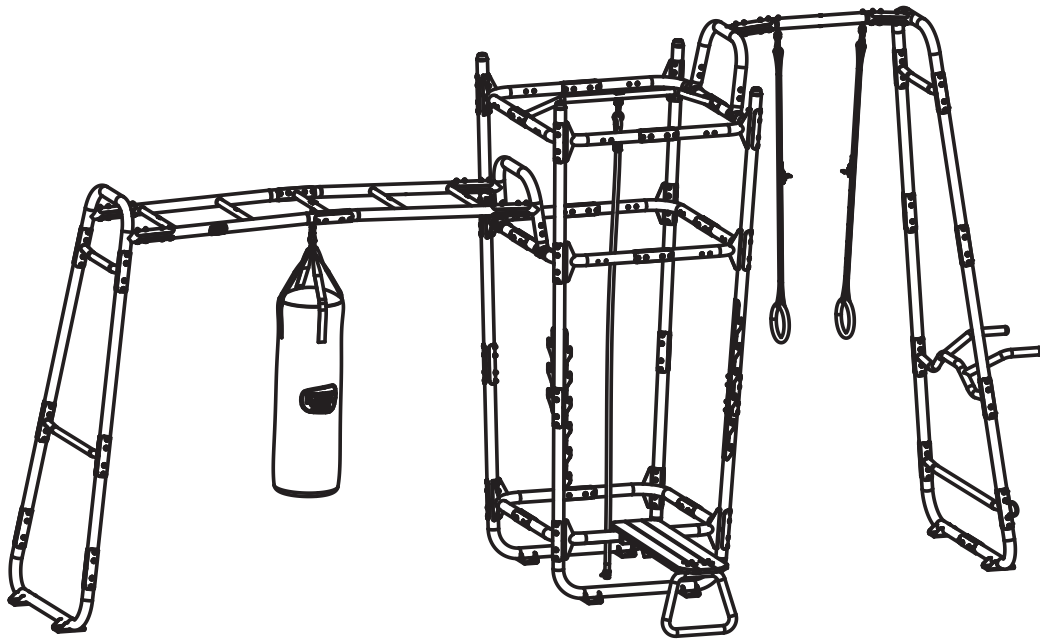




# GetSet

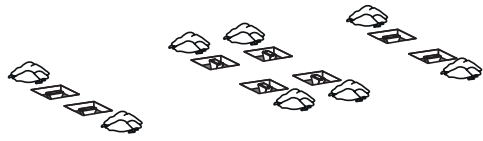
EXIT GetSet PS610



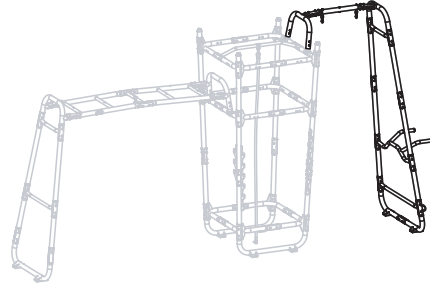
 **WARNING**  
CHOKING HAZARD  
small parts  
Adult assembly required  
retain for future reference



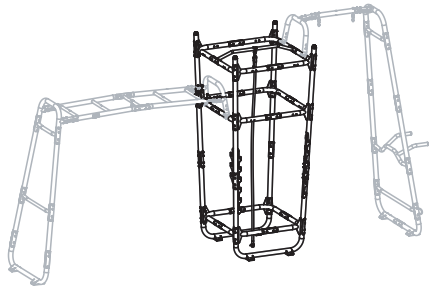
**02**



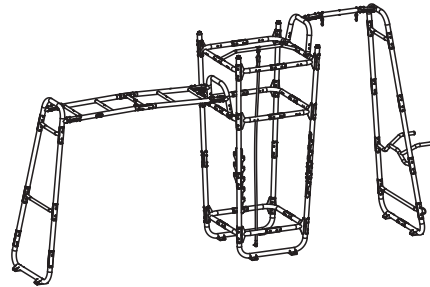
**48**



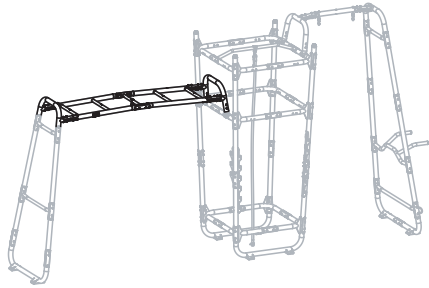
**10**



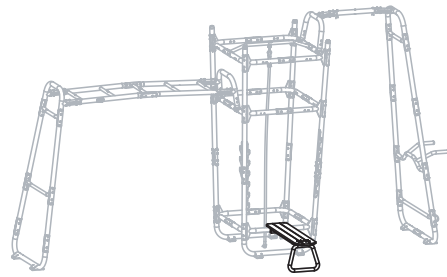
**62**



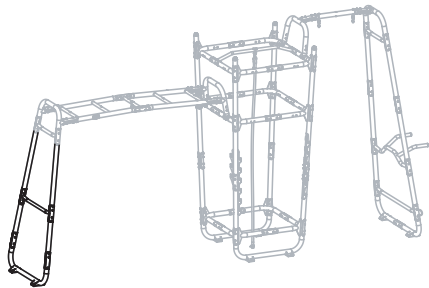
**32**



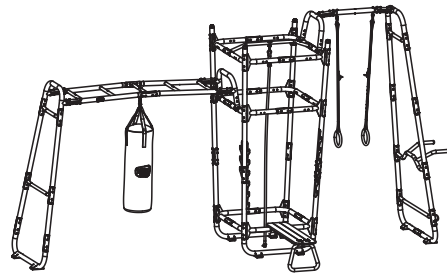
**68**



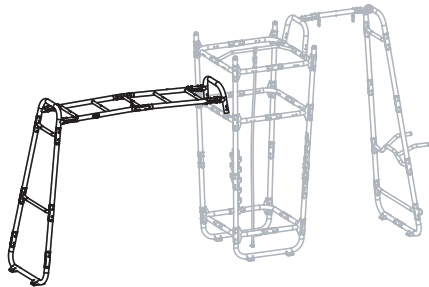
**38**



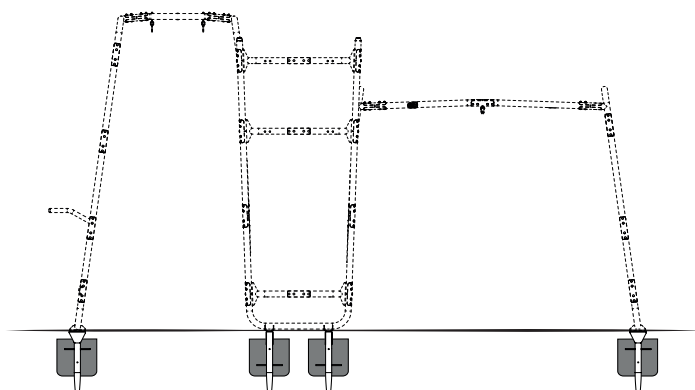
**72**



**44**







- 1**
  

61.80.30.20	8X
-------------	----
- 2**
  

61.82.50.50	1X
-------------	----
- 3**
  

61.86.50.50	1X
-------------	----
- 4**
  

61.85.50.50	1X
-------------	----
- 5**
  

61.86.50.60	1X
-------------	----
- 6**
  

61.85.50.60	1X
-------------	----

- 7**
  

M8x30mm	8X
---------	----
  - 8**
  

M8x10mm	8X
---------	----
  - 9**
  

M8	8X
----	----
- |             |    |
|-------------|----|
| 63.85.40.40 | 1X |
|-------------|----|

- 10**
  

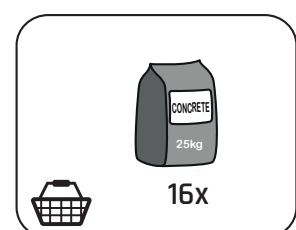
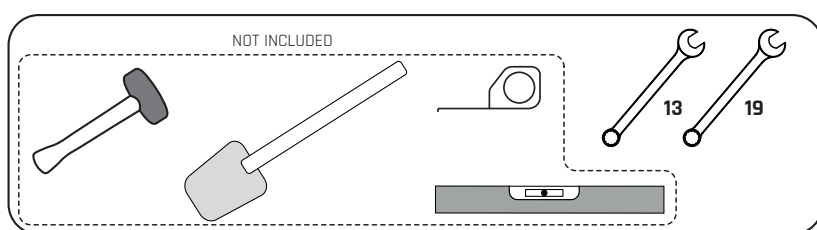
wood sheet  
30x30cm

1X
----
  - 11**
  

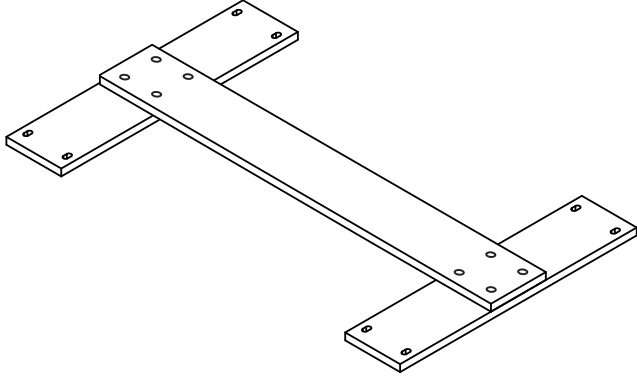
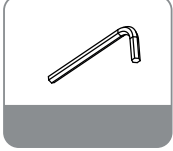
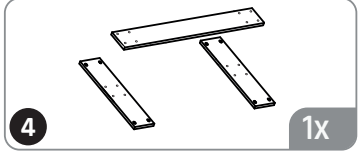
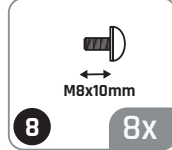
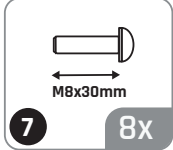
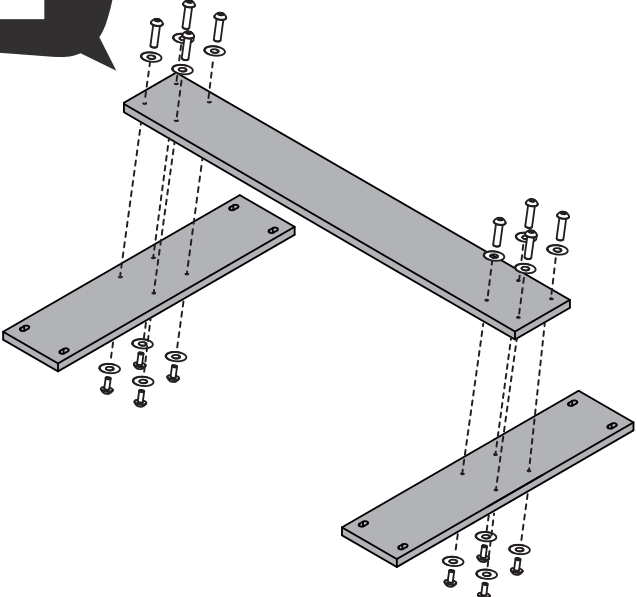
Ø37*Ø13*3.0	16X
-------------	-----
  - 12**
  

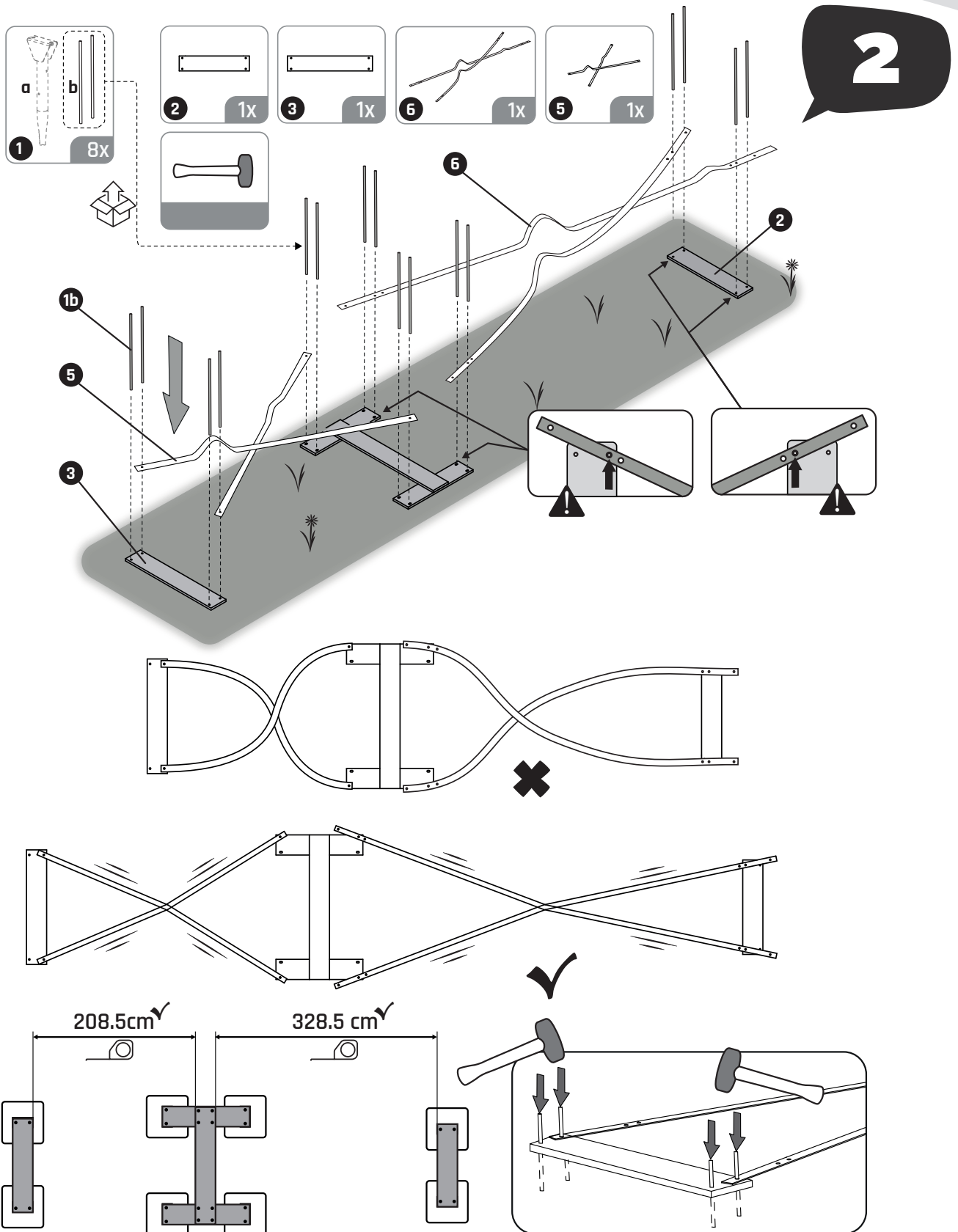
M12x45mm	16X
----------	-----
  - 13**
  

Ø13	16X
-----	-----
- |             |    |
|-------------|----|
| 61.82.40.20 | 4X |
|-------------|----|

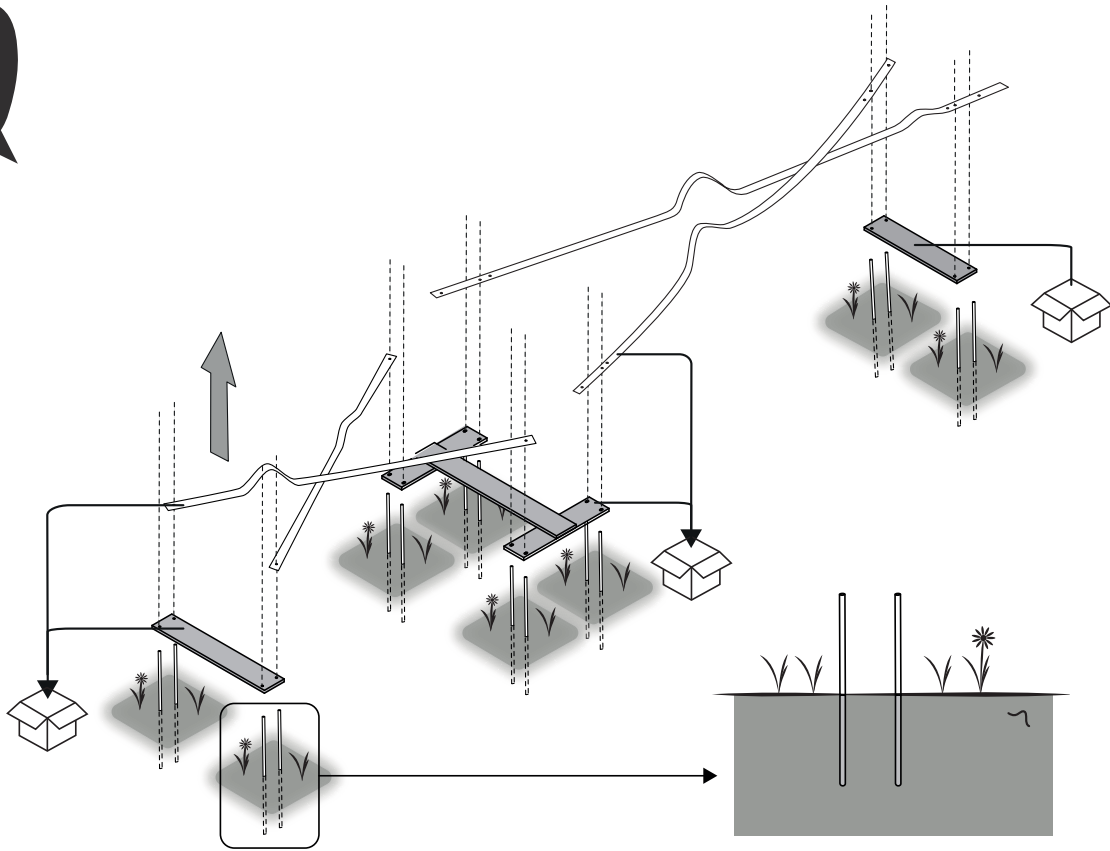


1

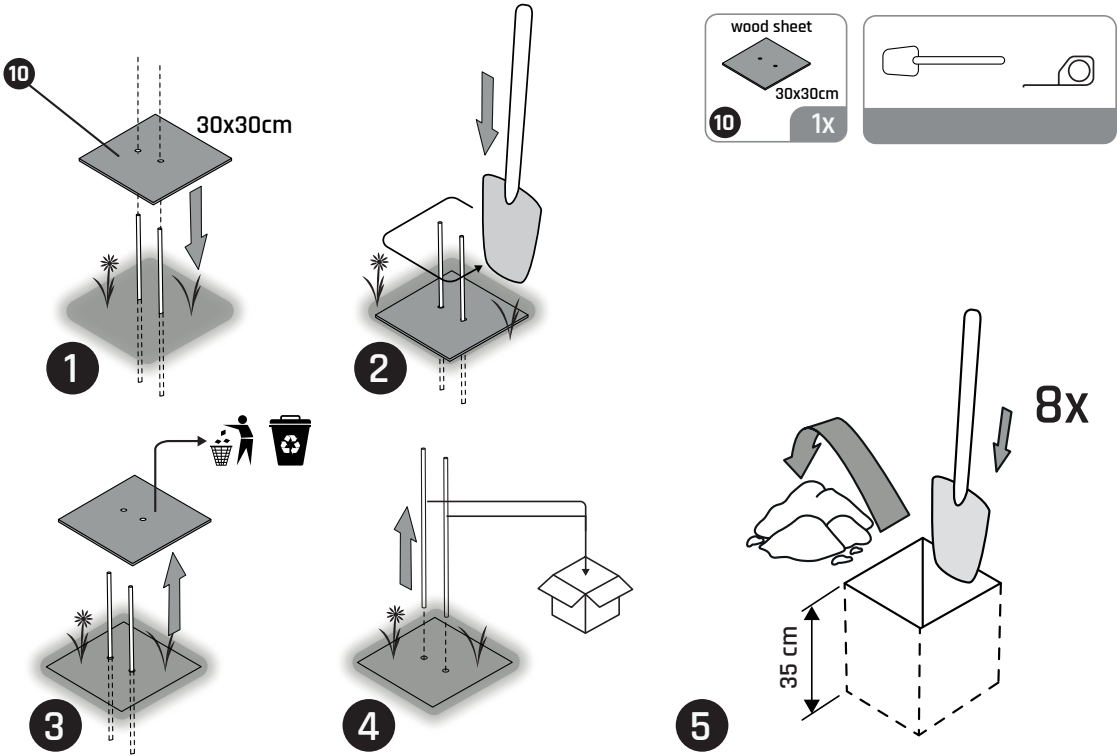


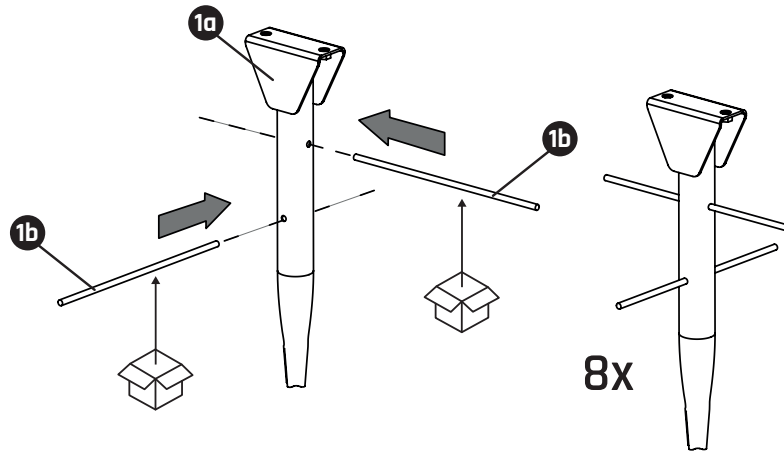
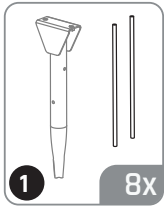


**3**

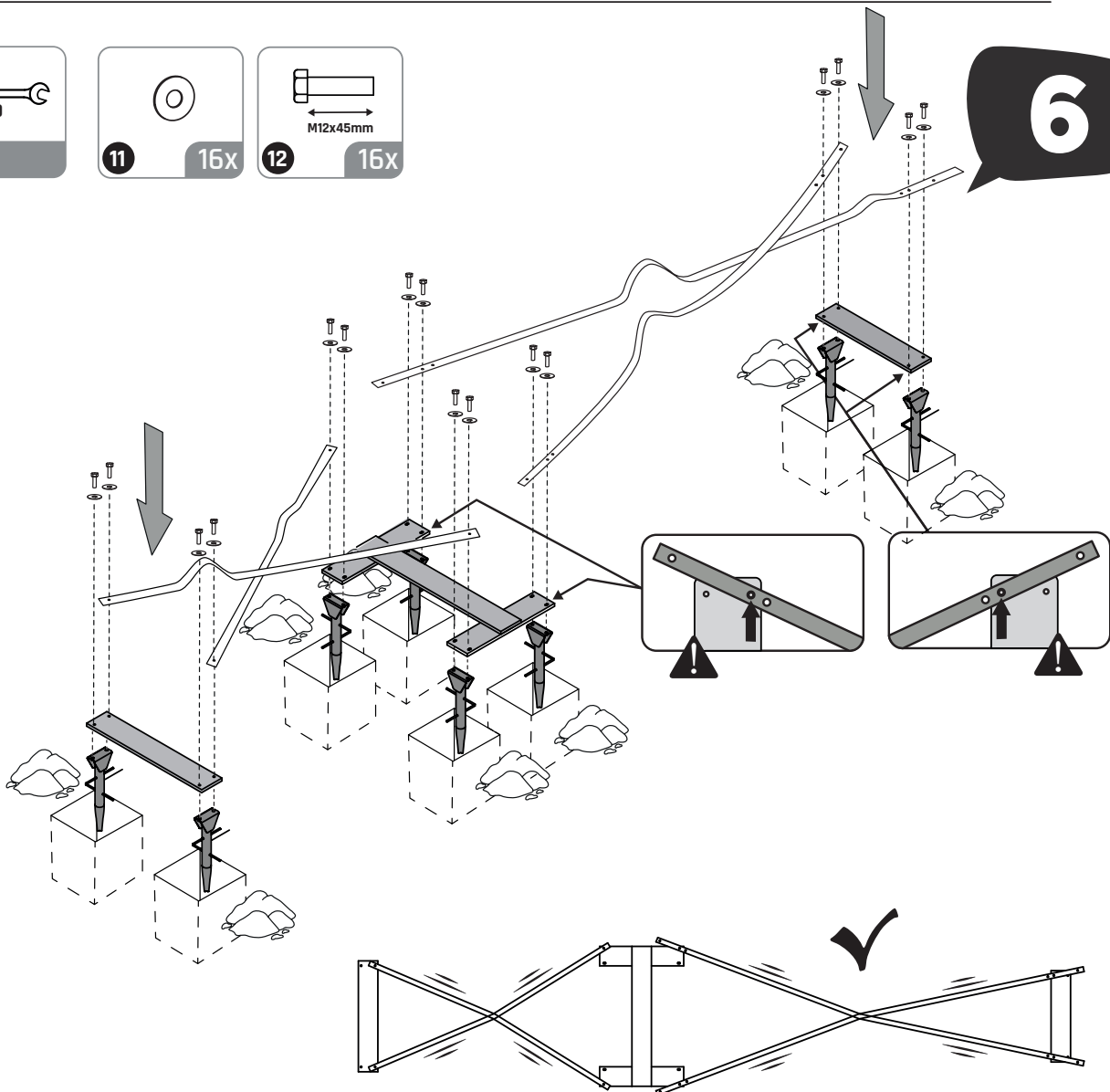
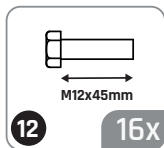
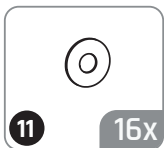
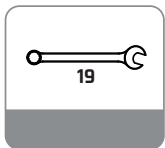


**4**



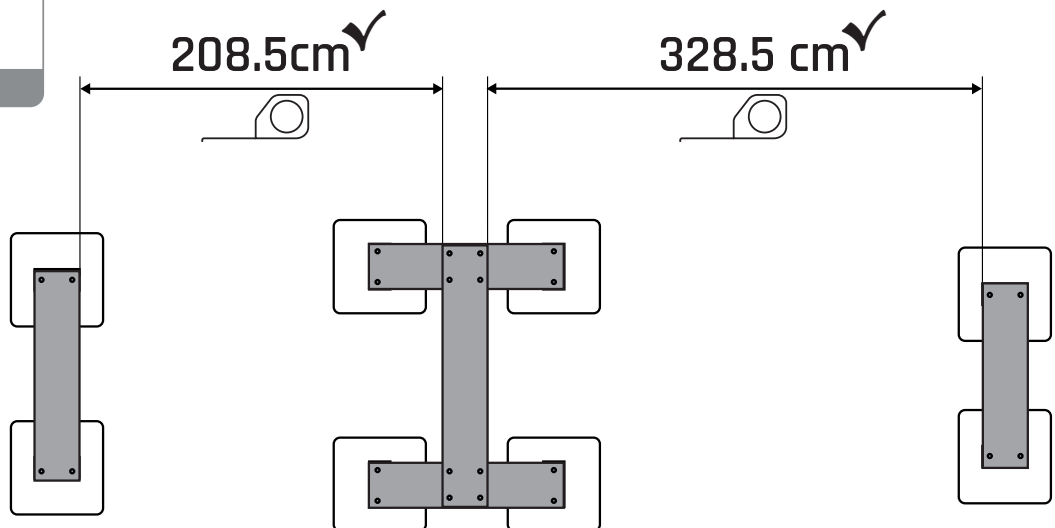
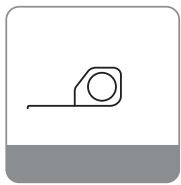
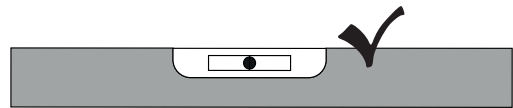
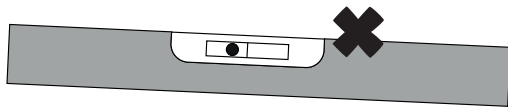
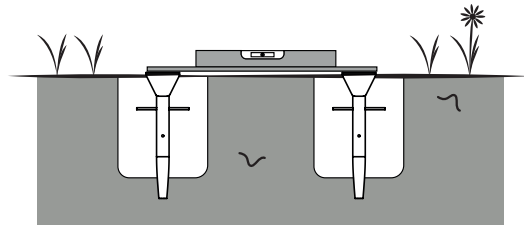
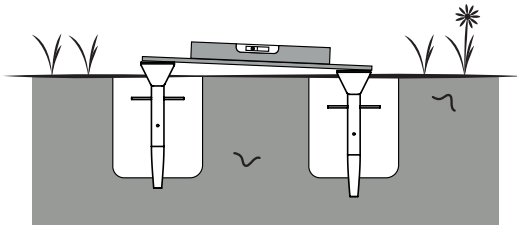
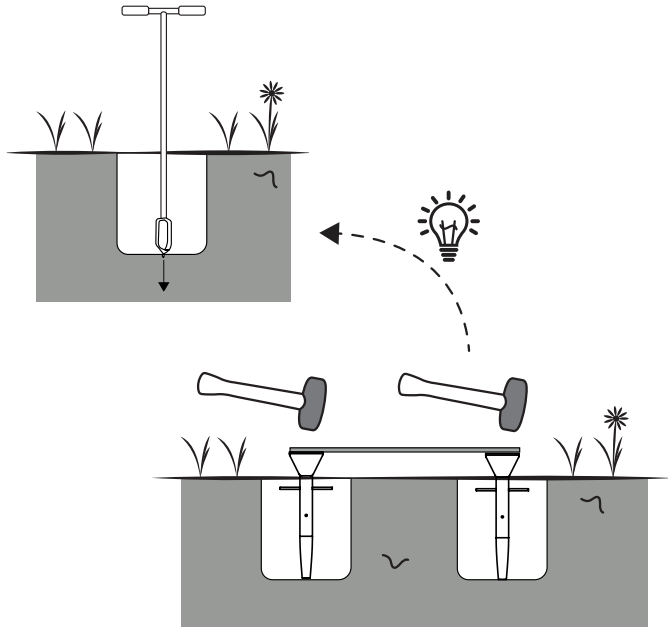
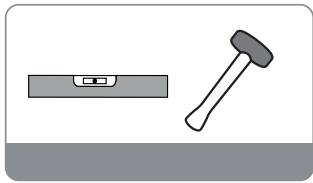


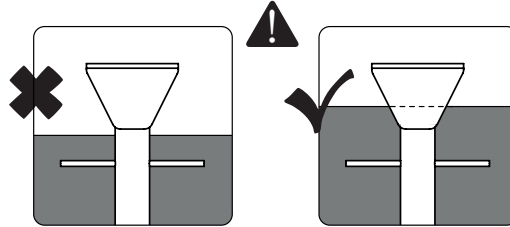
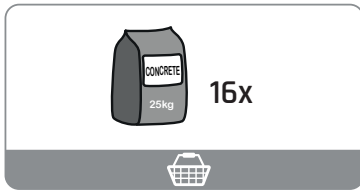
**5**



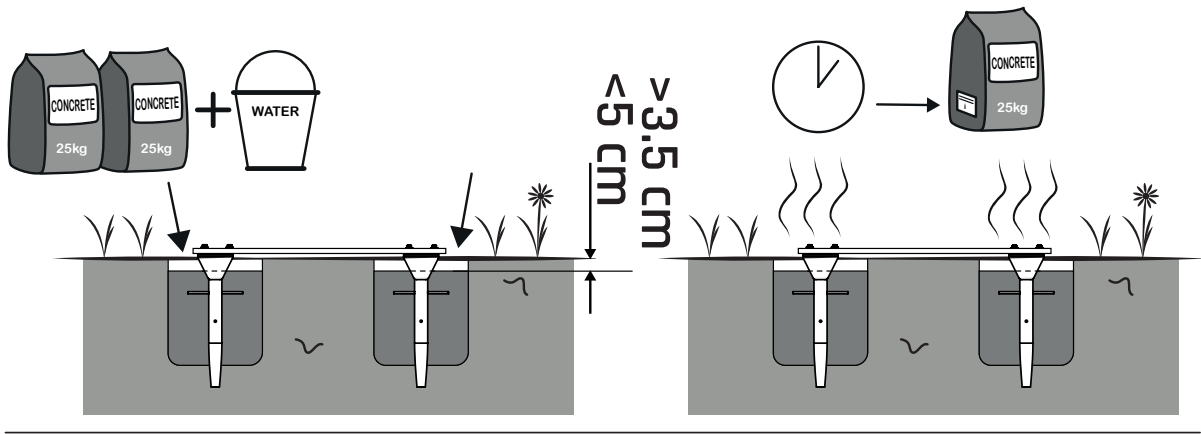
**6**

**7**

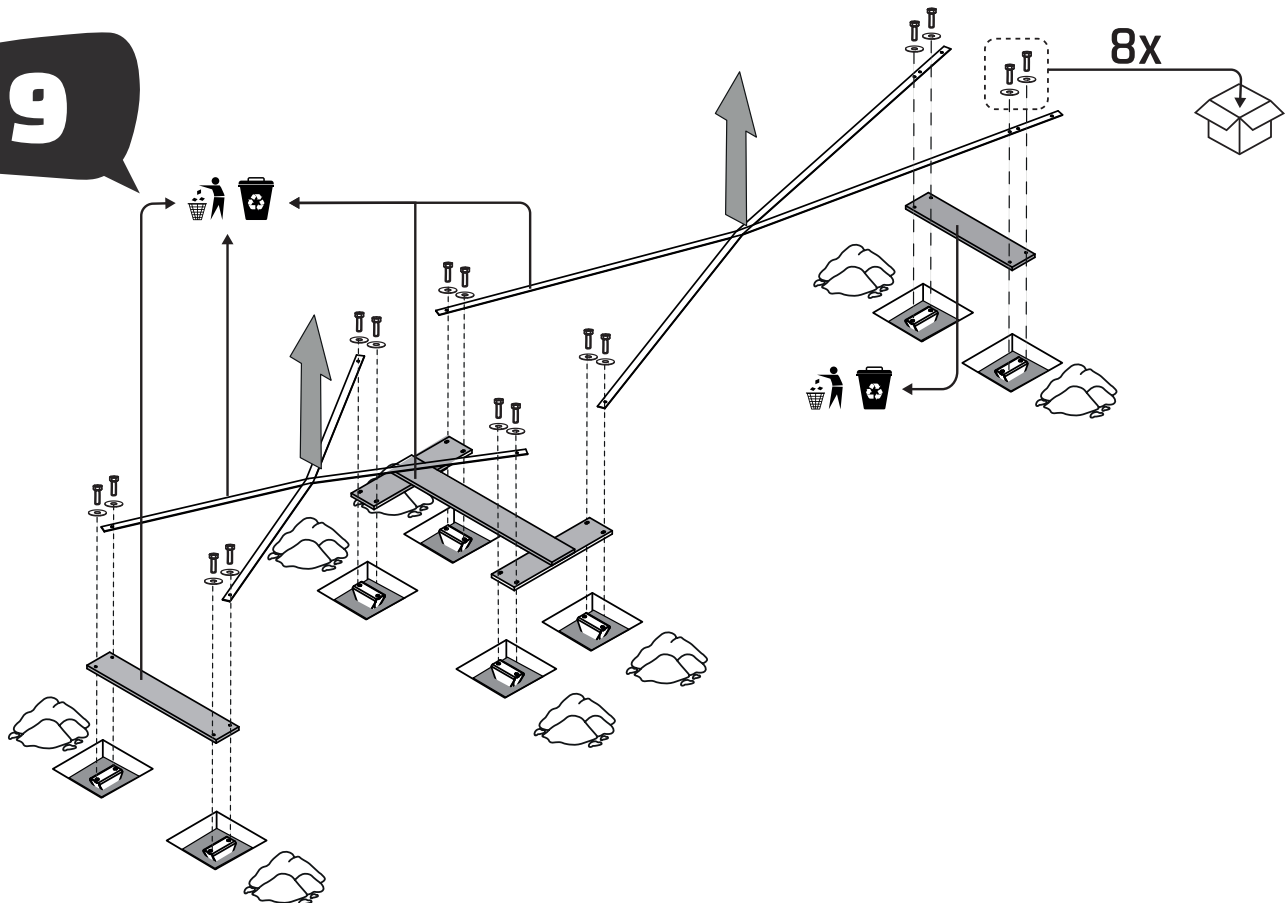


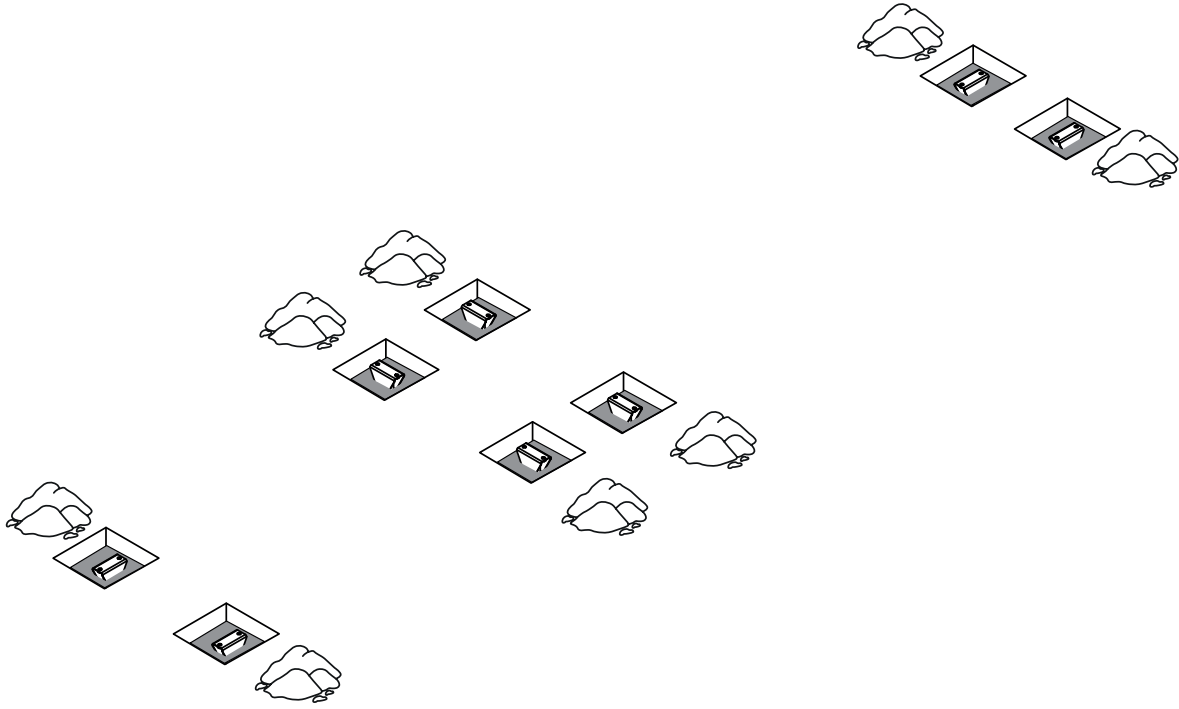


8

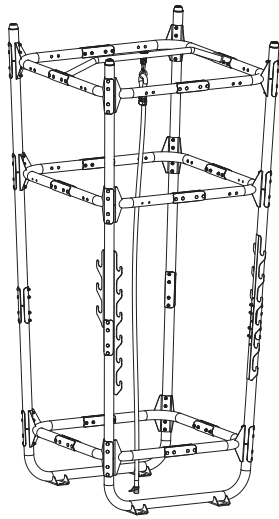


9

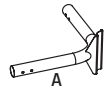








1



61.85.10.10 4X

2



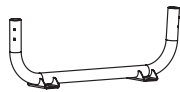
61.80.30.10 40X

3



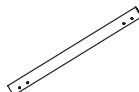
61.80.30.00 28X

4



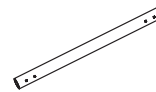
61.85.10.50 2X

5



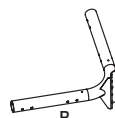
790mm  
61.85.20.79 4X

6



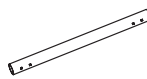
856mm  
61.85.20.86 4X

7



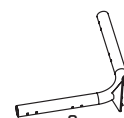
61.85.10.40 4X

8



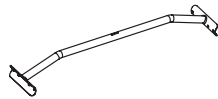
714mm  
61.85.20.71 4X

9



61.85.10.30 4X

10



54.90.14.00 1X

11



61.80.30.40 1X

12



61.80.30.50 1X

18



54.90.15.00 1X

17



54.90.44.00 1X

13



61.85.20.15 4X  
61.85.30.80 4X

14



MBx78mm 112X

15



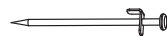
M8 112X

16

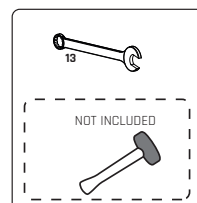


M8 112X

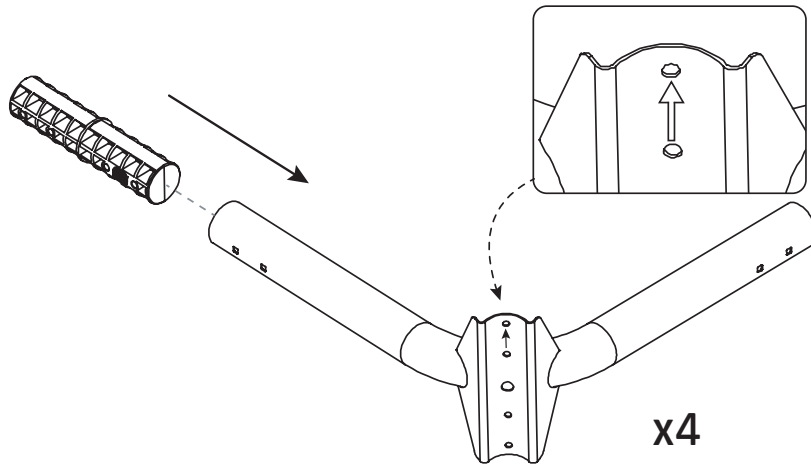
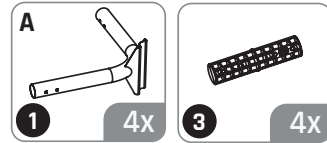
19



61.90.44.10 1X

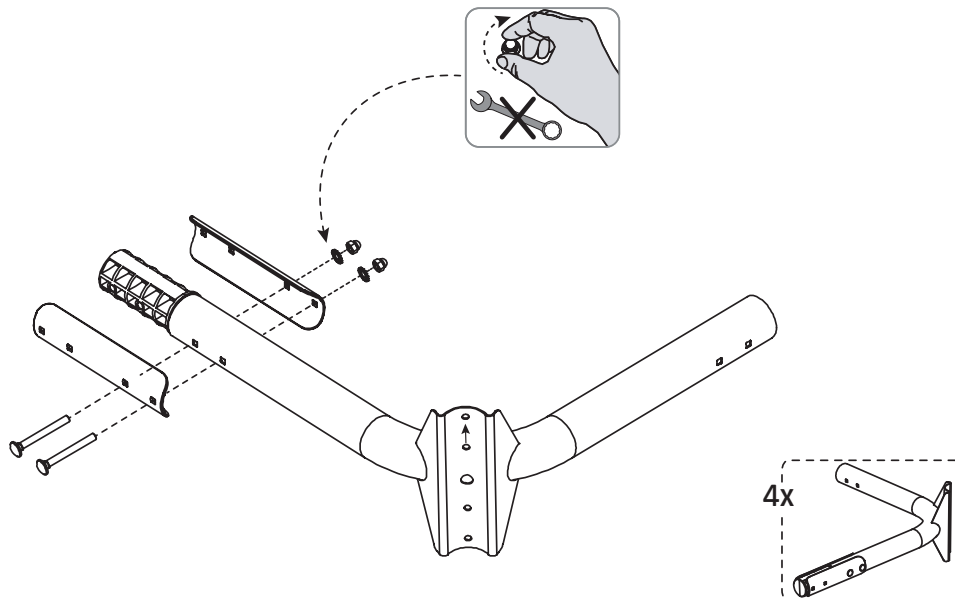
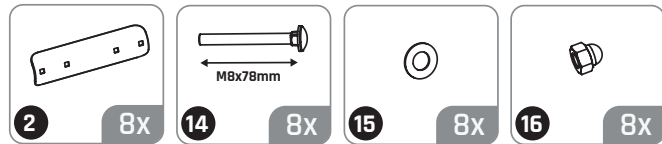


**1**



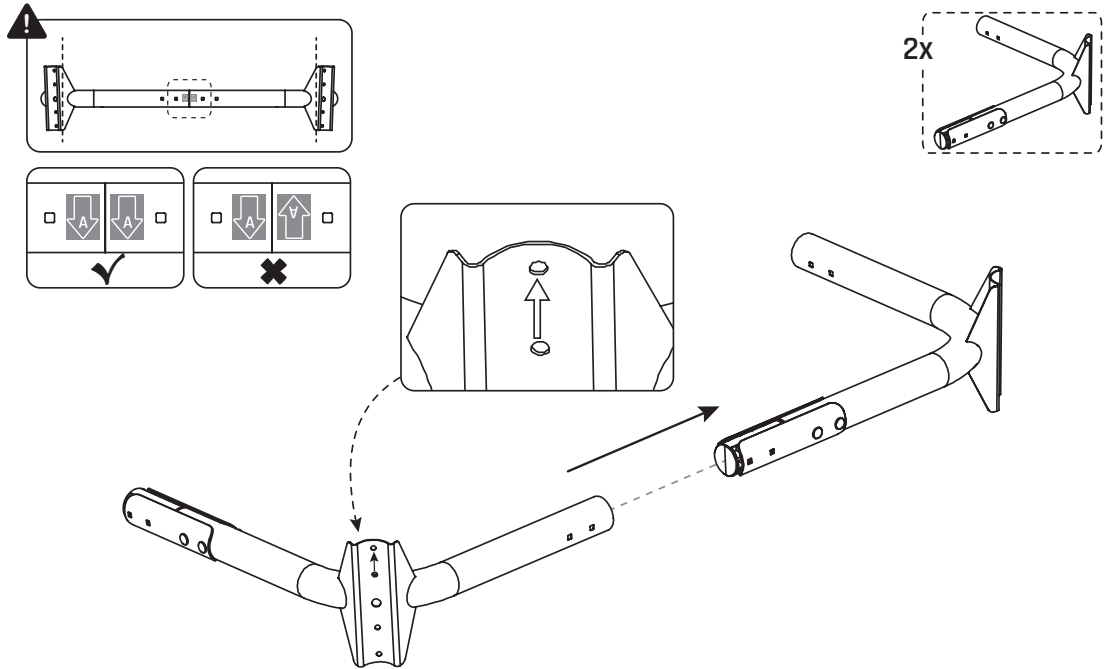
x4

**2**

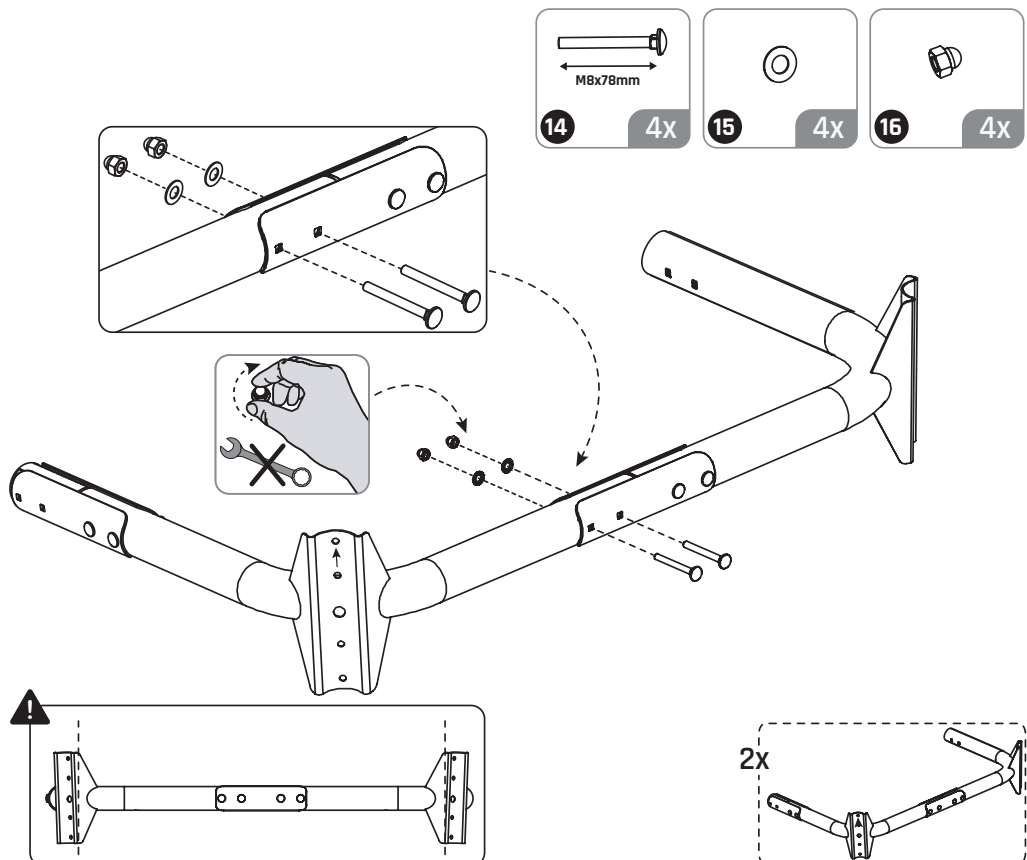


4x

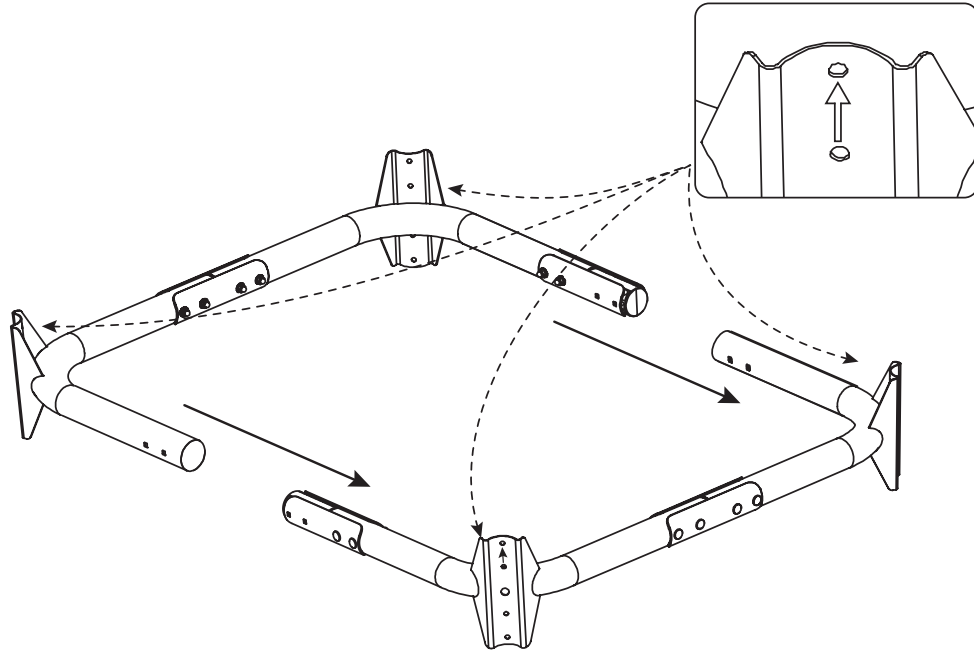
**3**



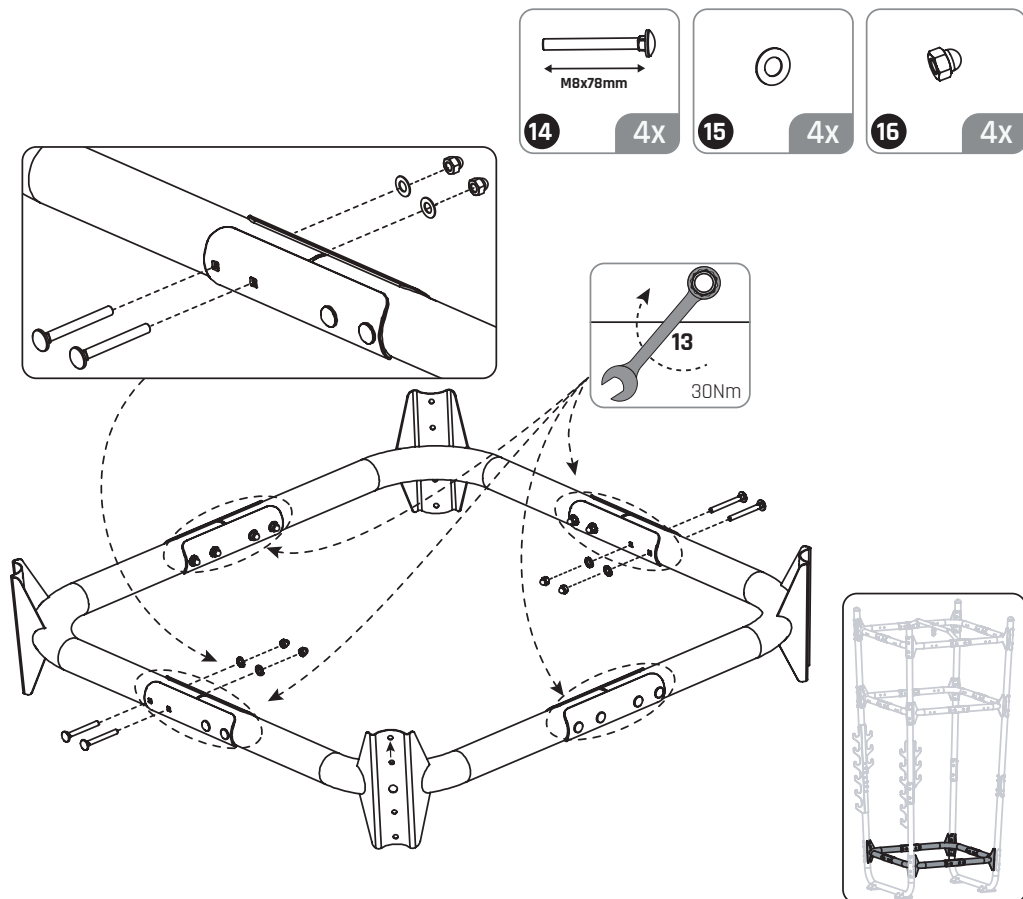
**4**



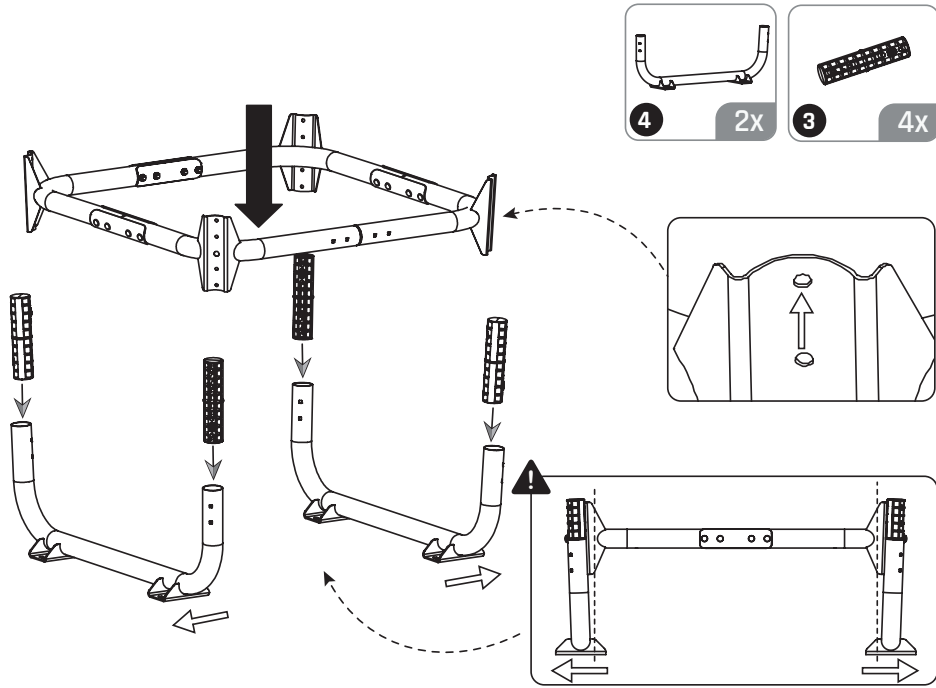
**5**



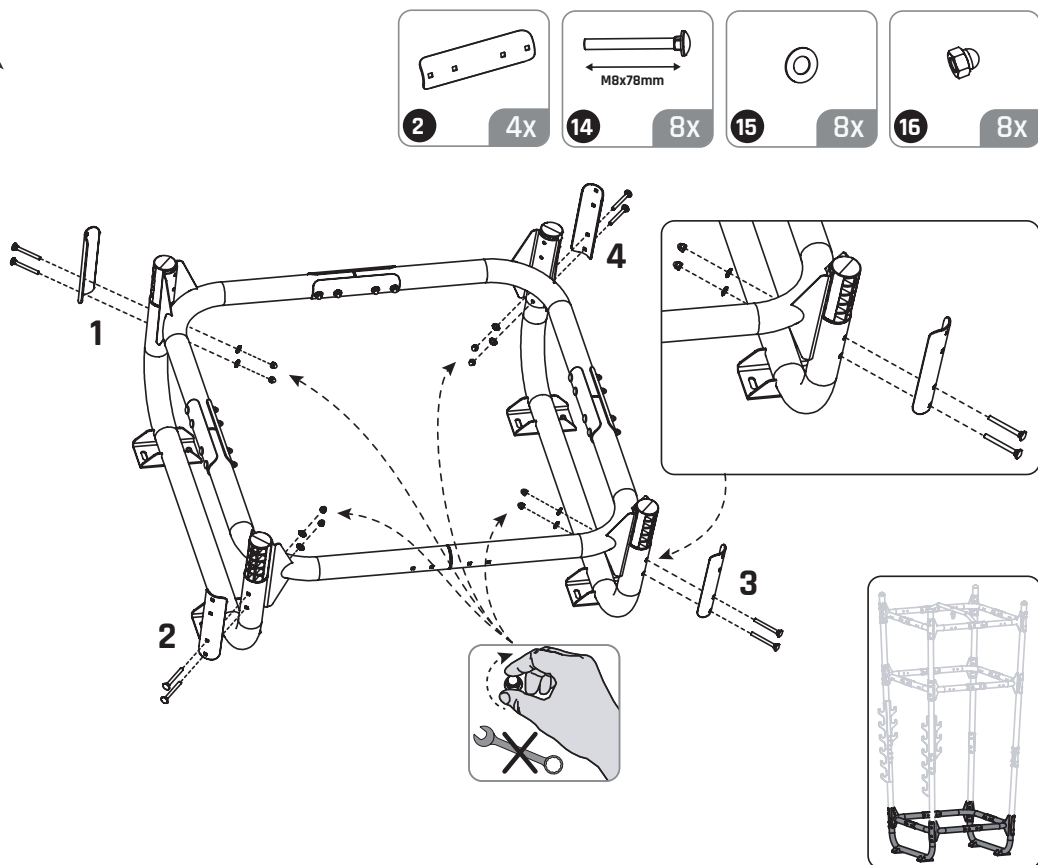
**6**



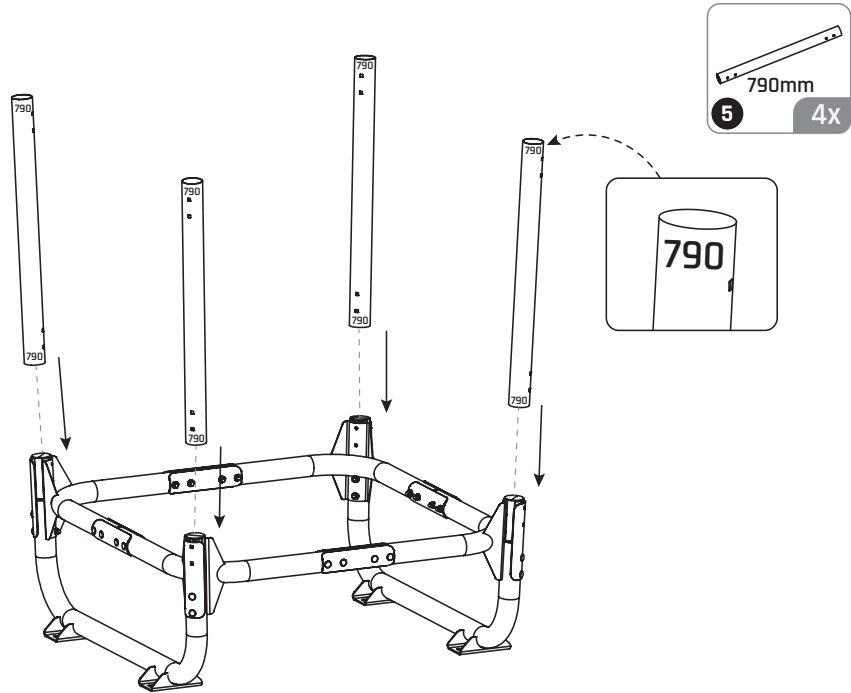
**7**



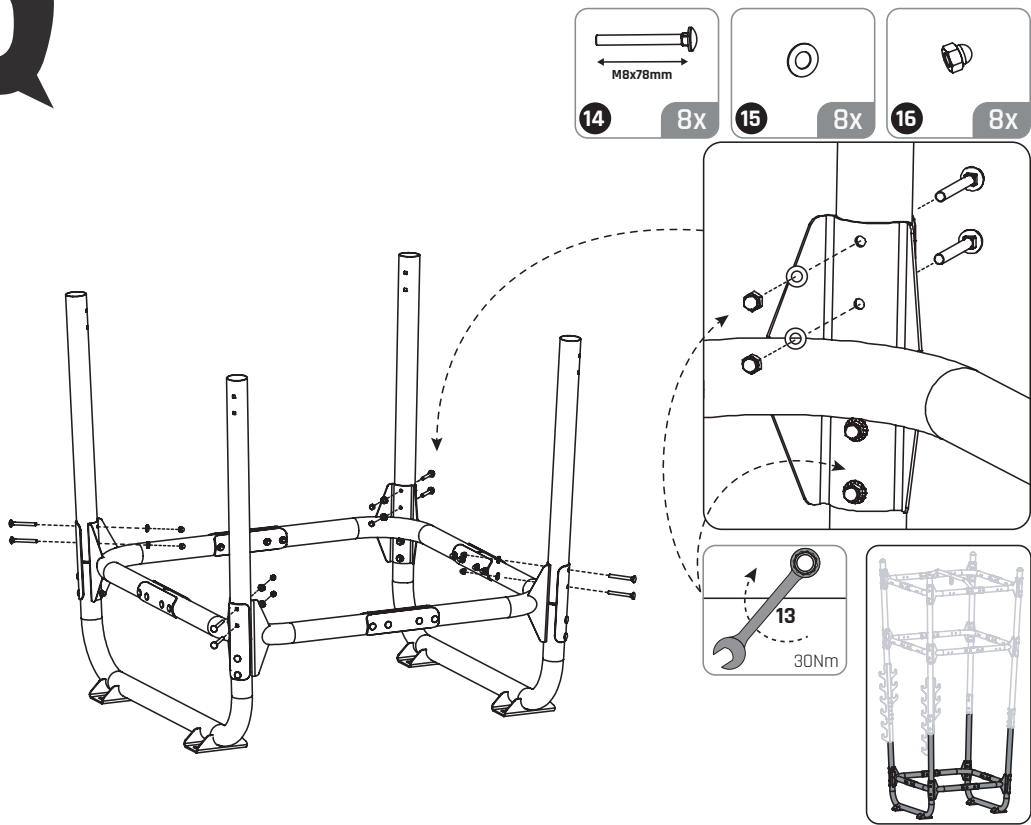
**8**



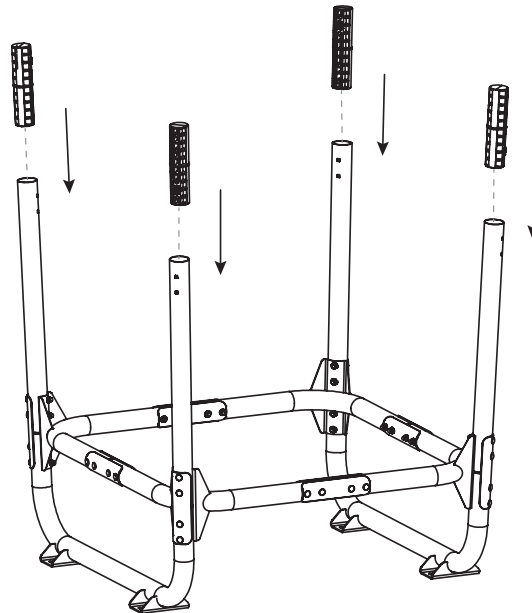
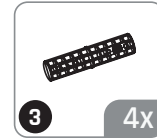
**9**



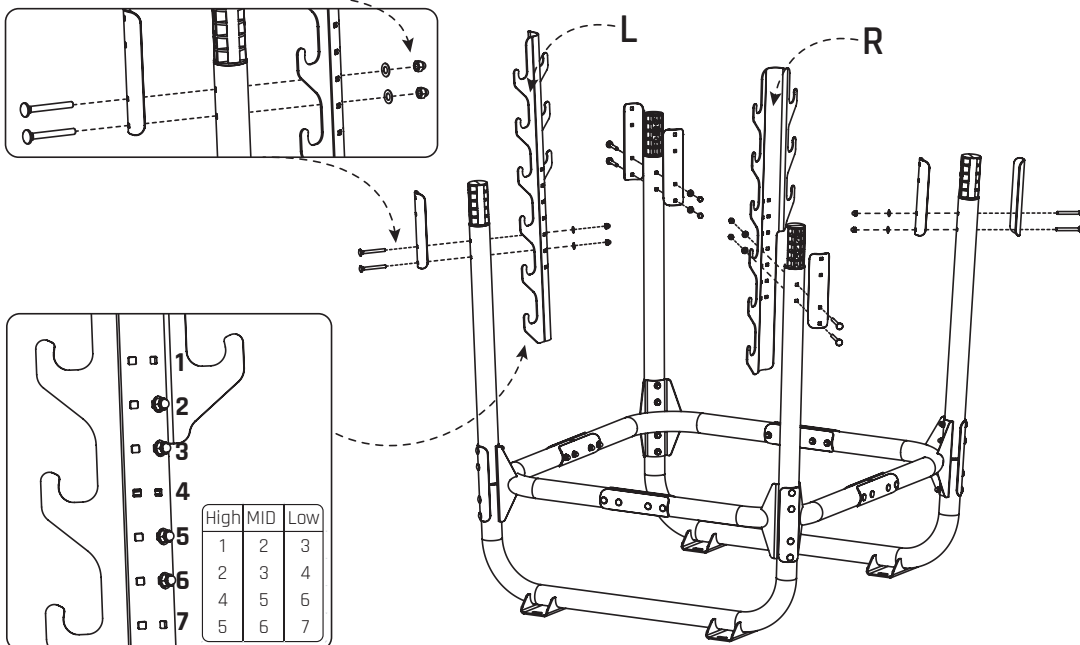
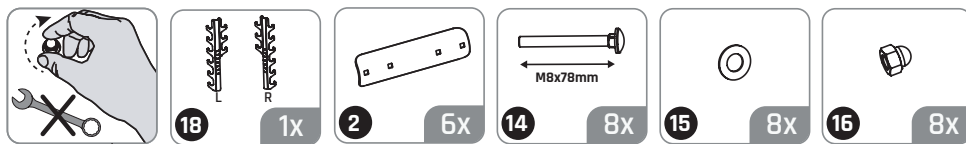
**10**



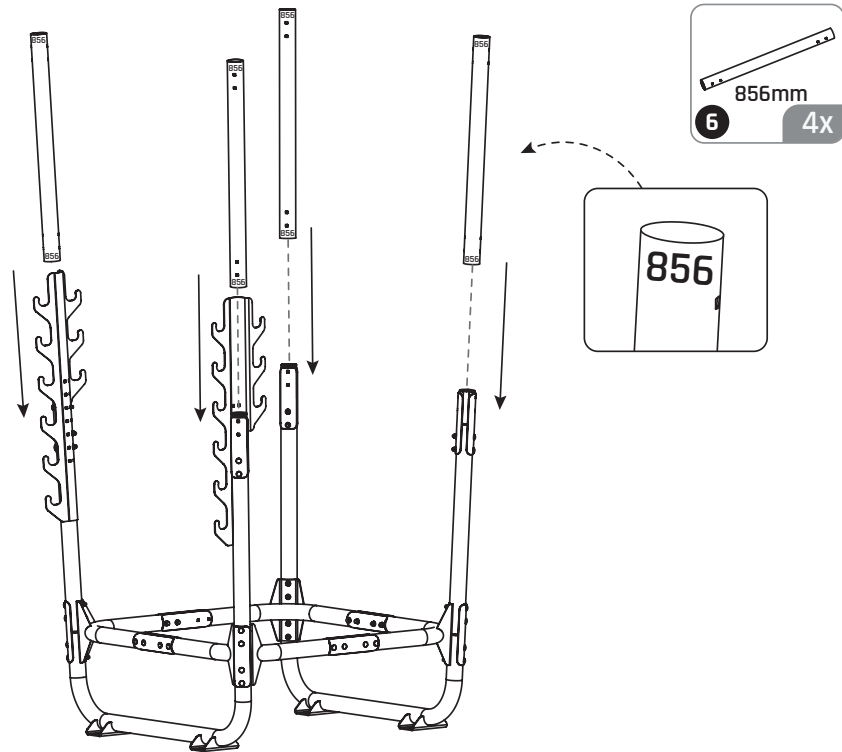
**11**



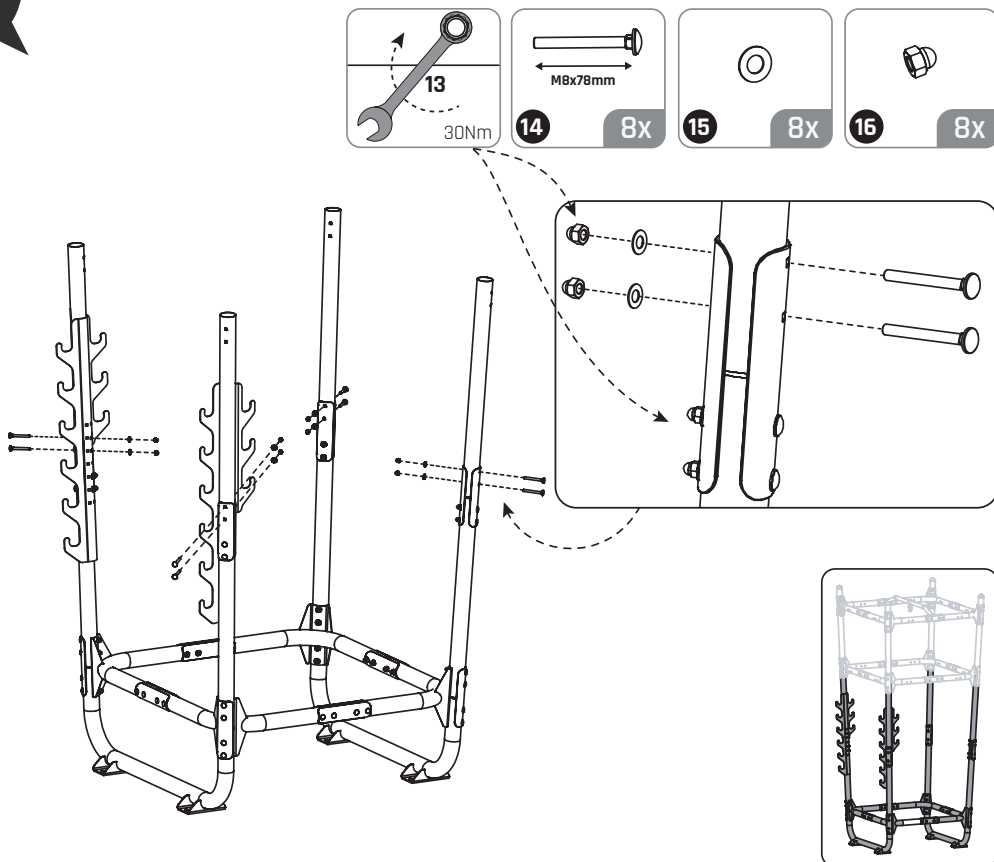
**12**



**13**

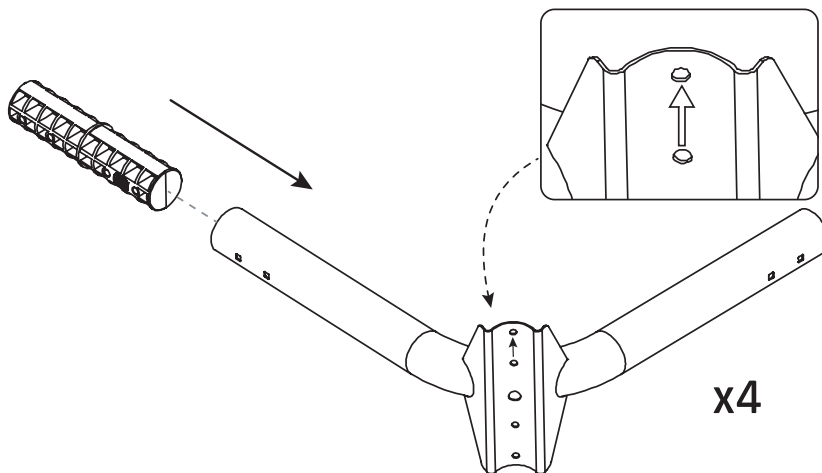
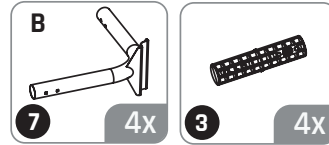


**14**

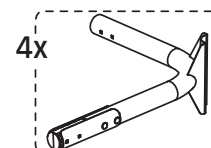
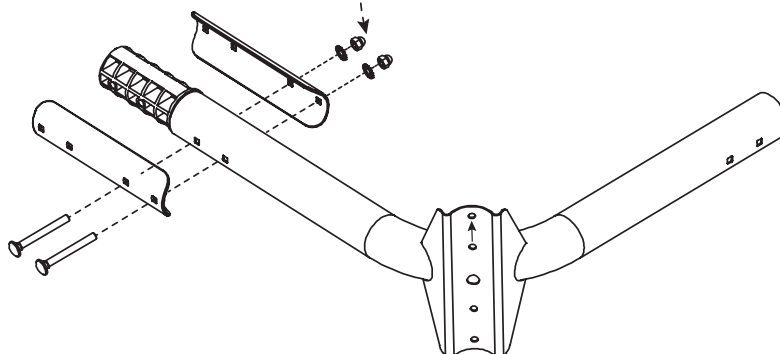
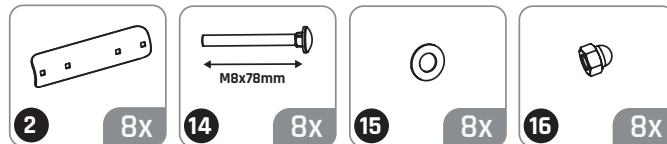




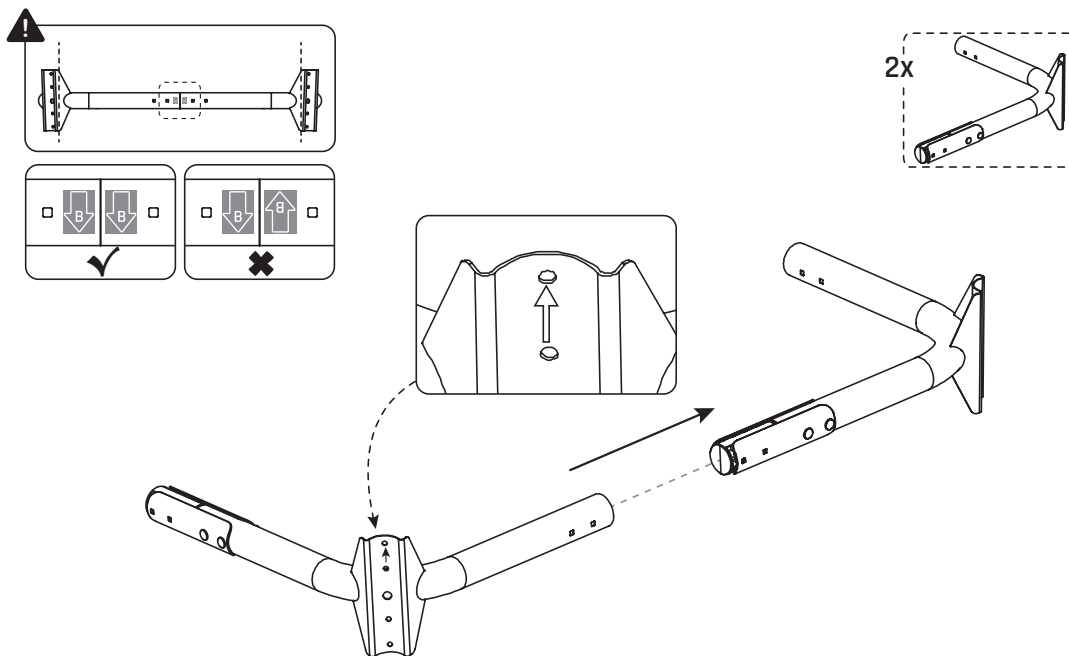
**15**



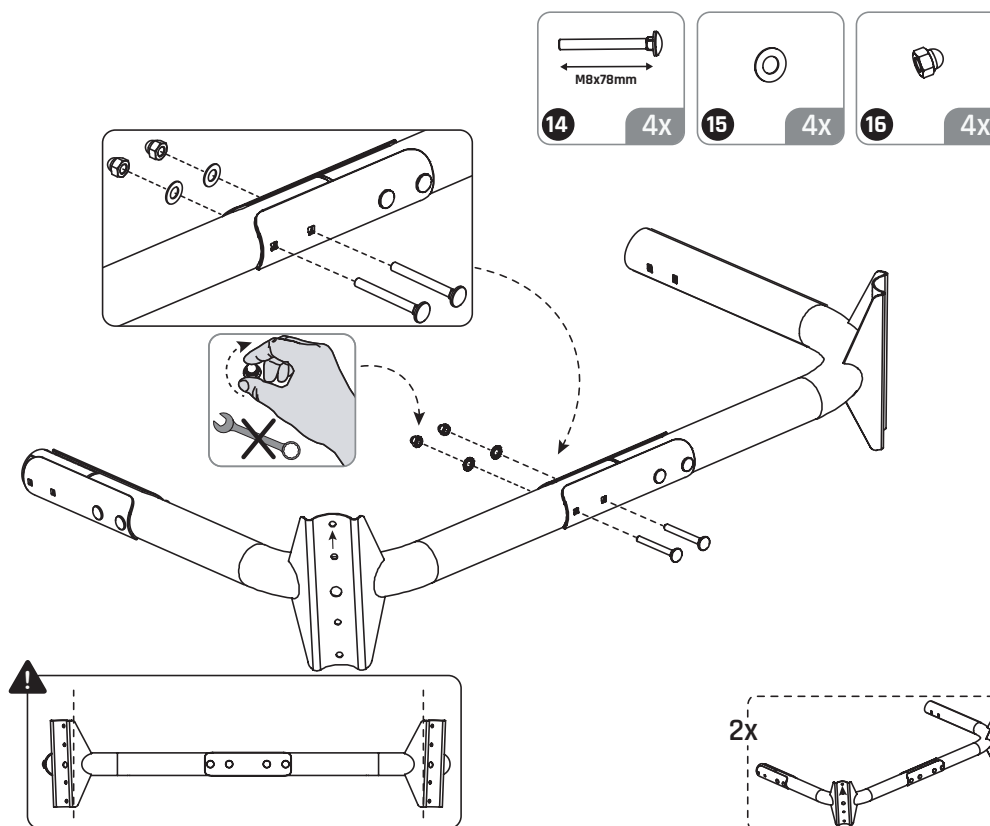
**16**



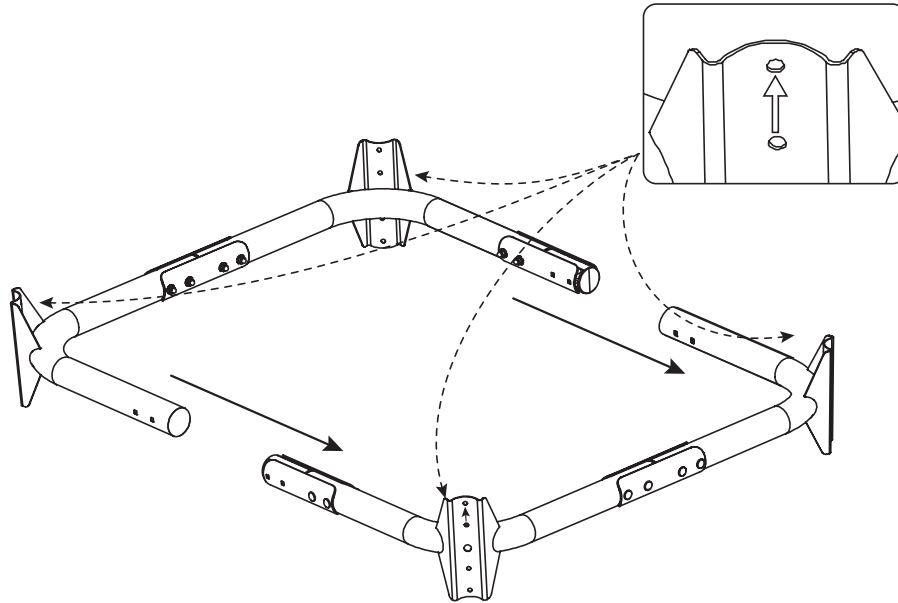
**17**



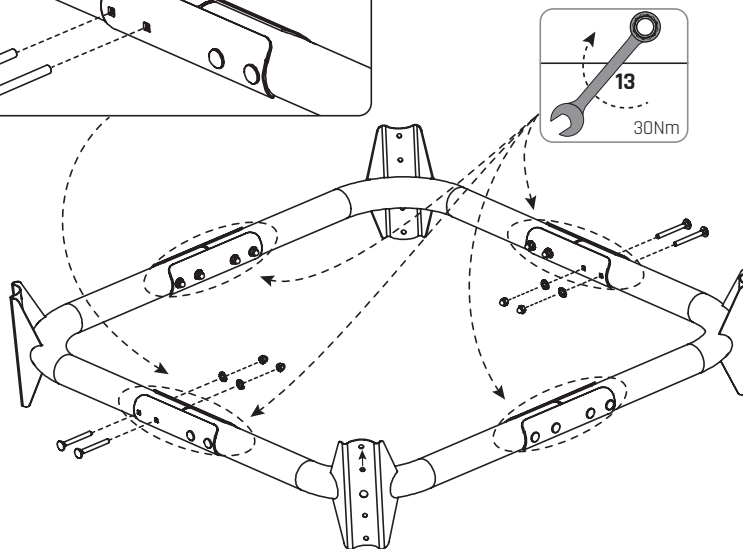
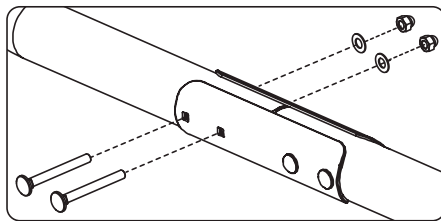
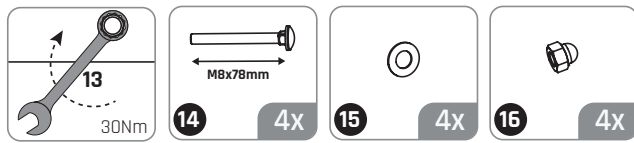
**18**



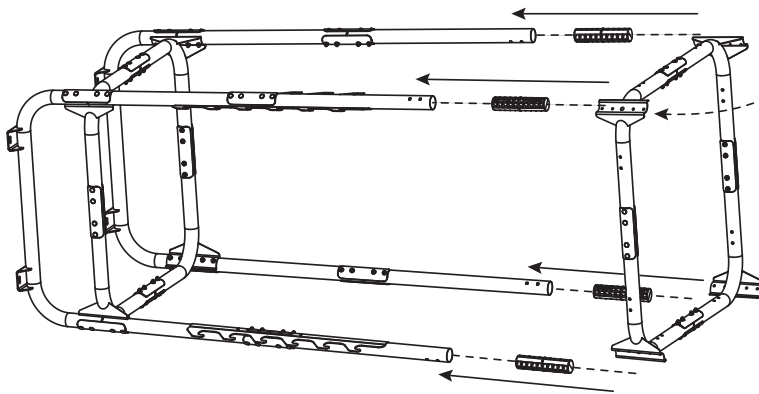
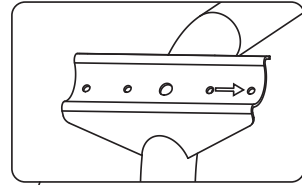
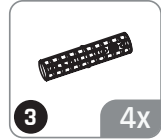
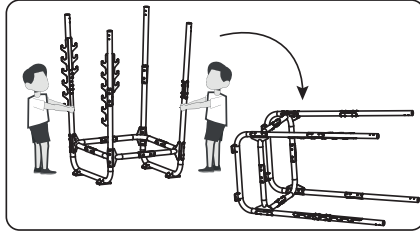
**19**



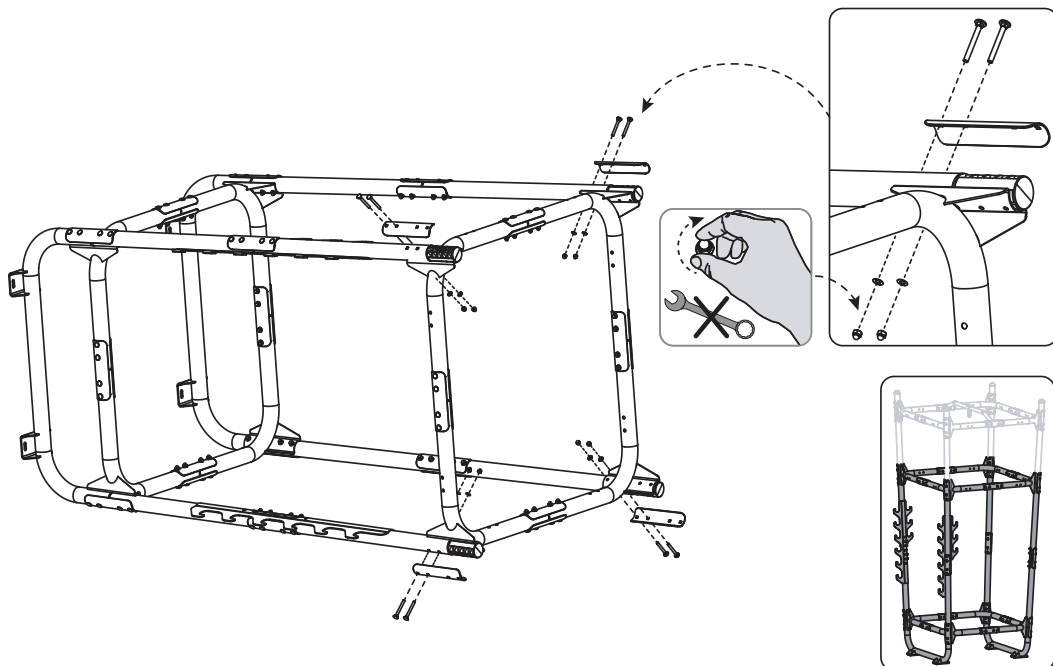
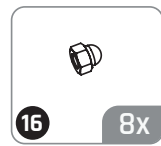
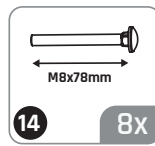
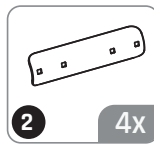
**20**



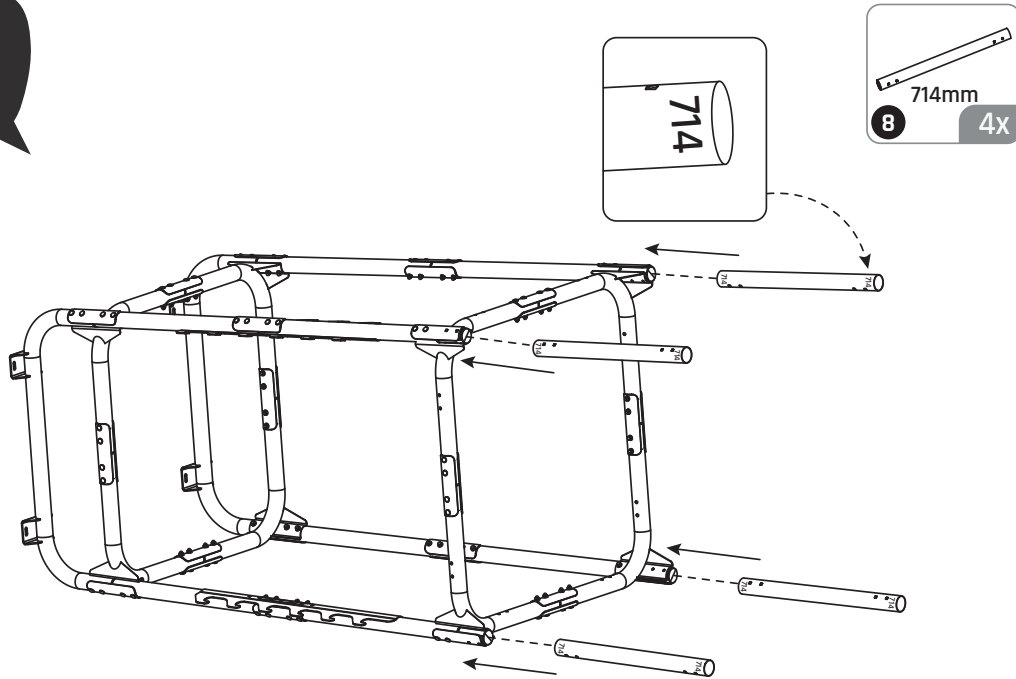
**21**



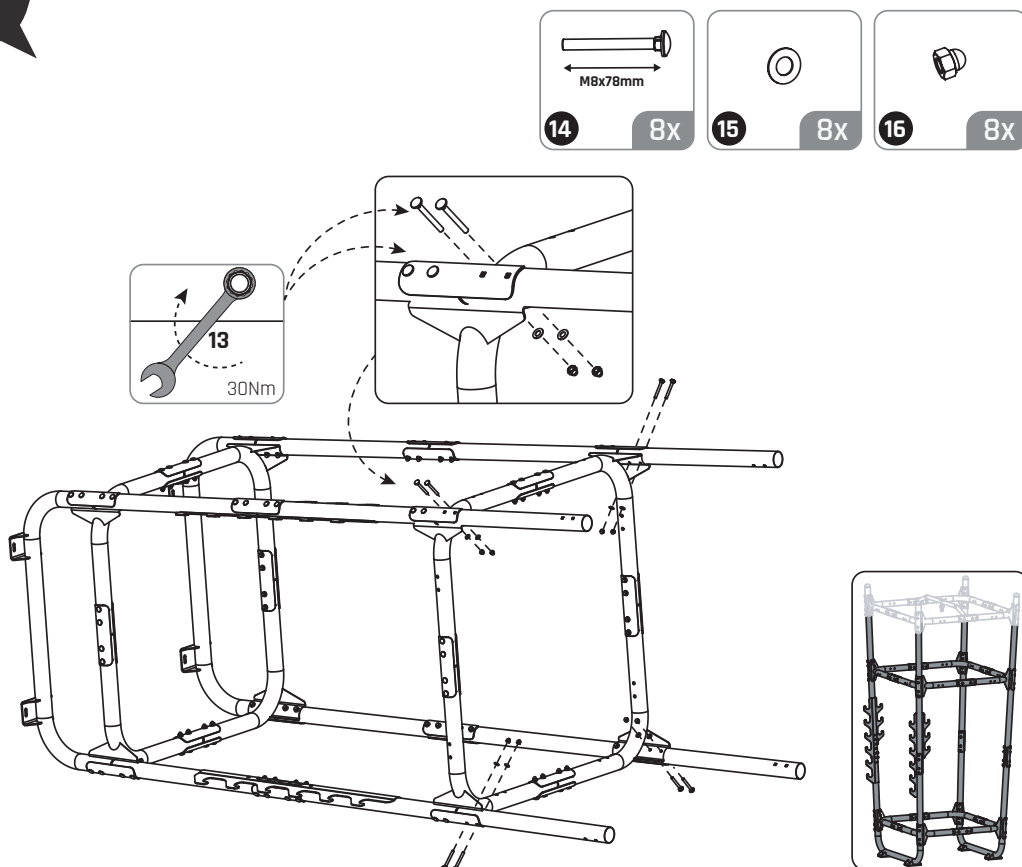
**22**



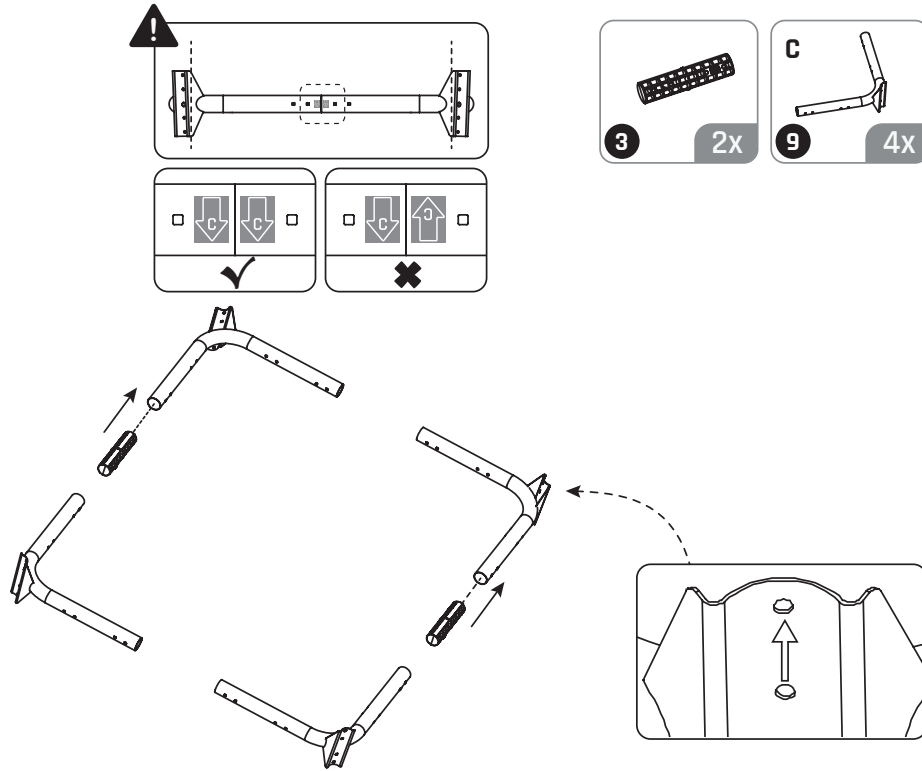
**23**



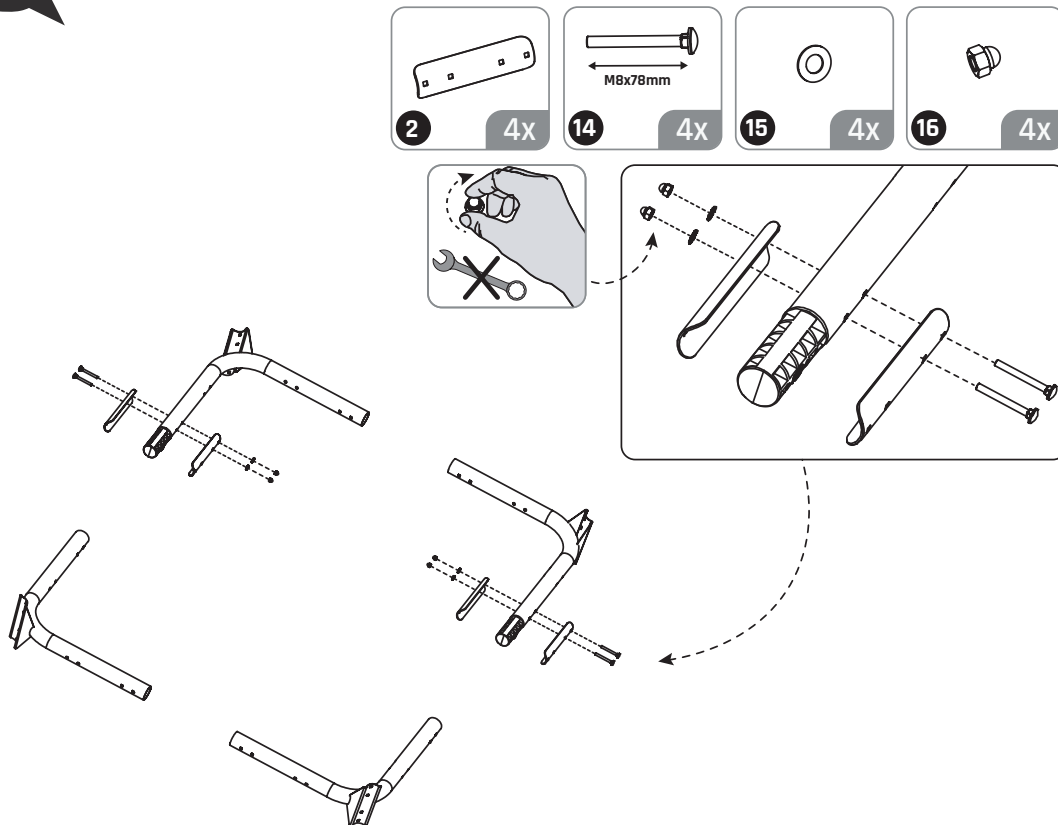
**24**



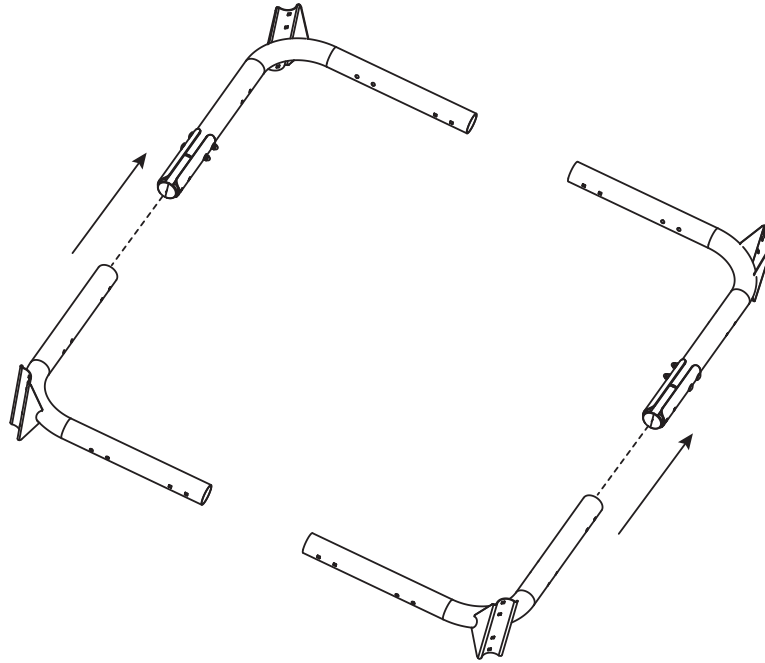
**25**



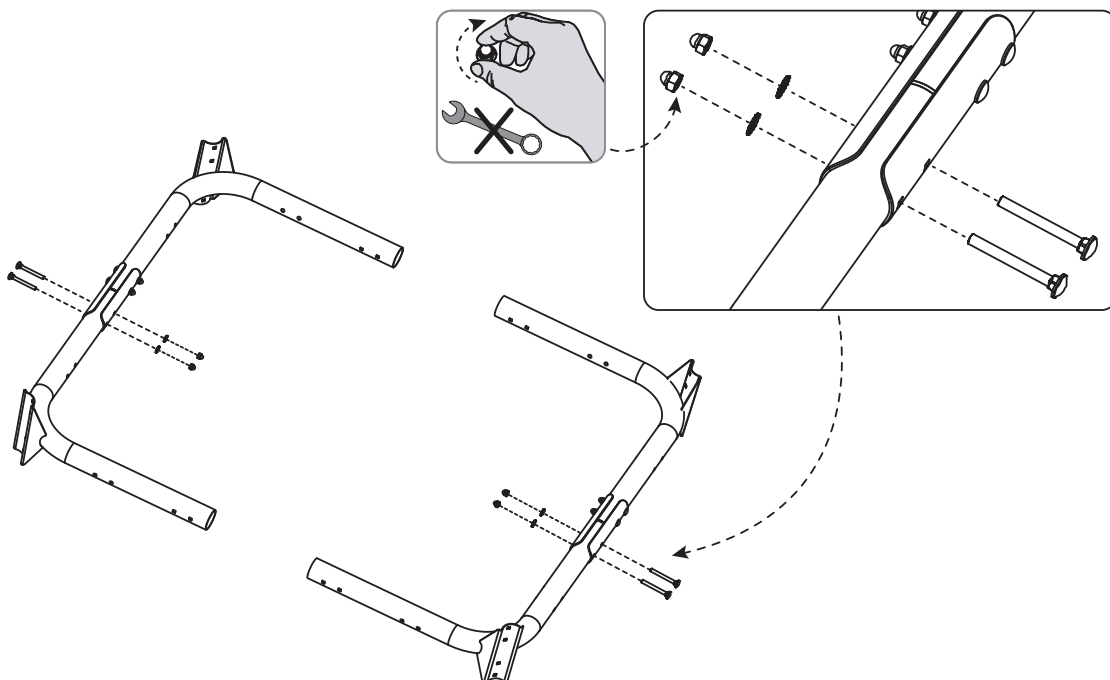
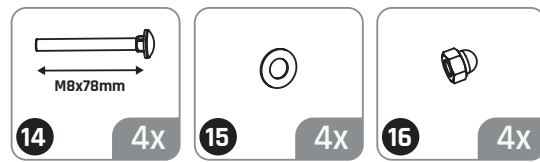
**26**



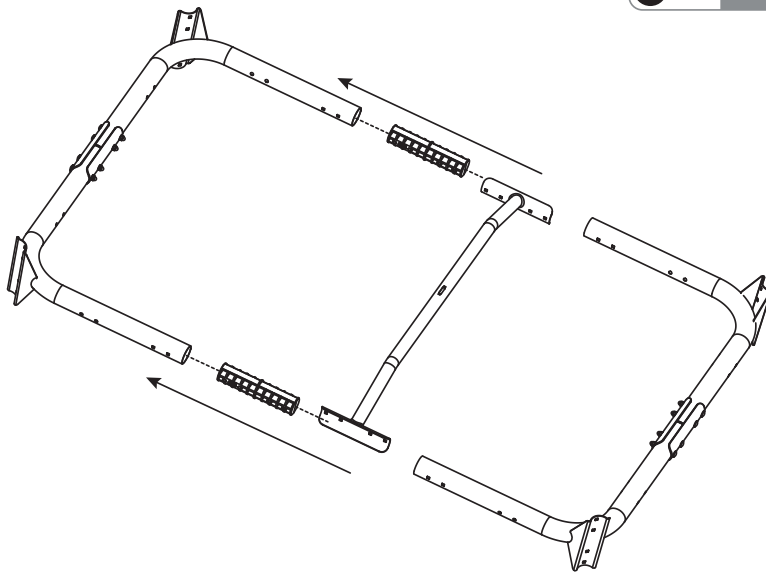
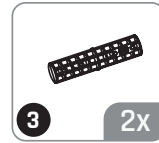
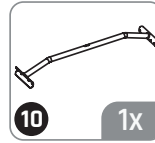
**27**



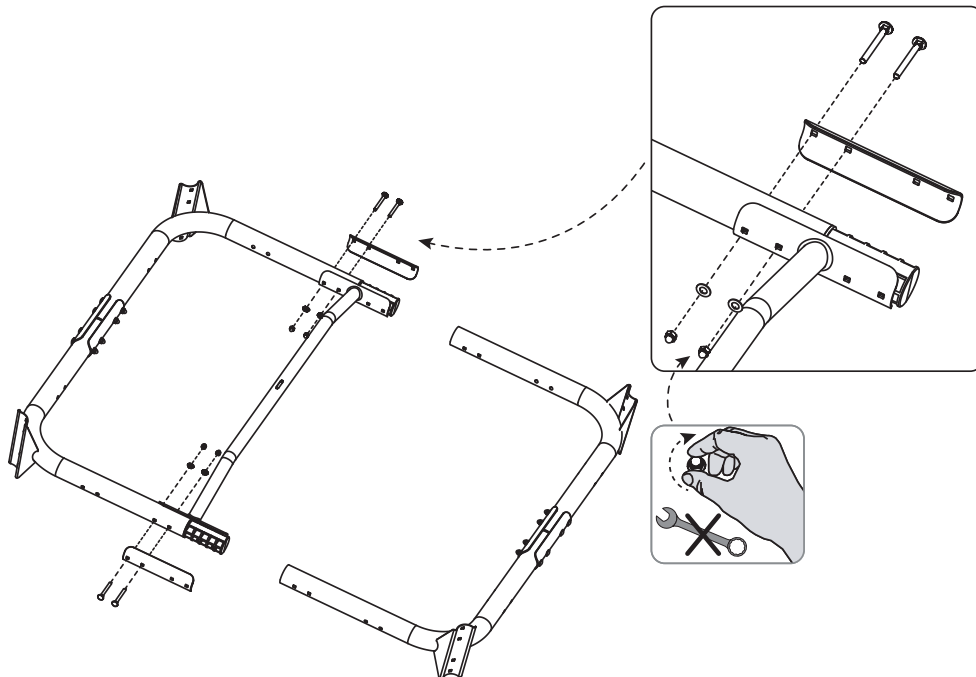
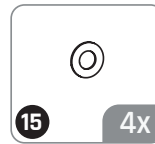
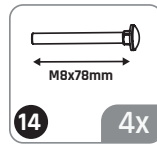
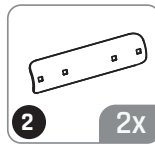
**28**



**29**

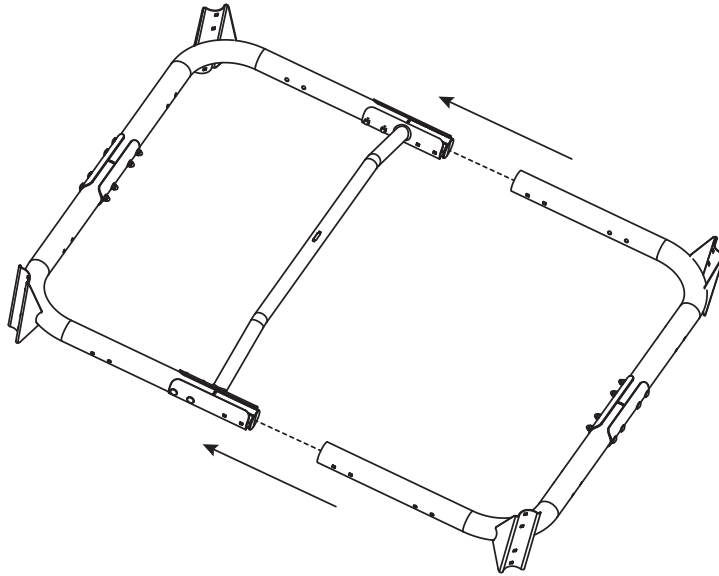


**30**

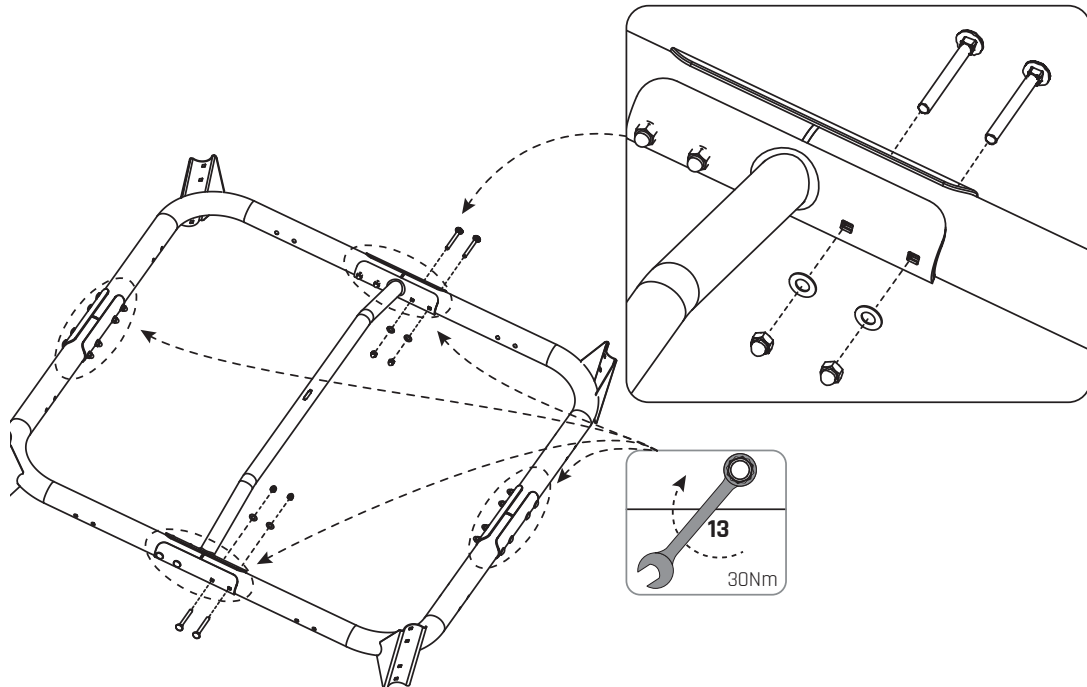




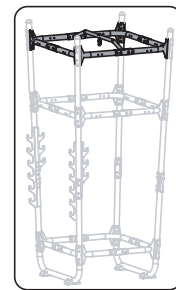
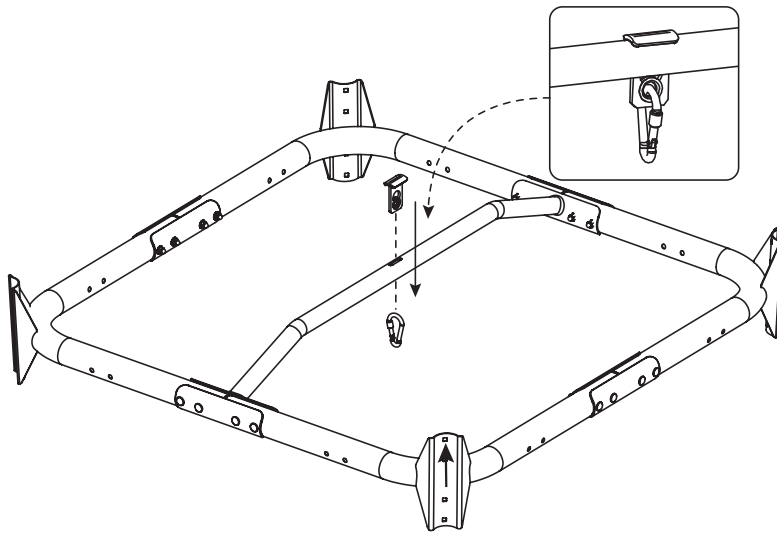
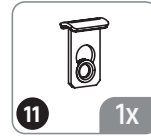
**31**



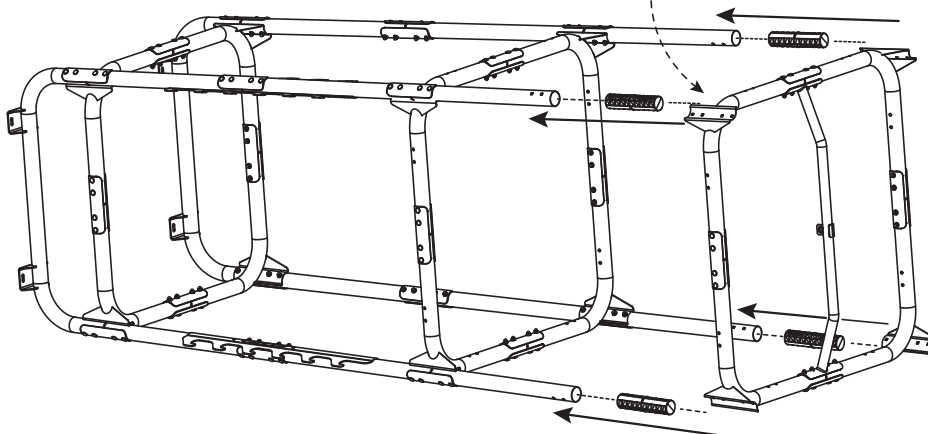
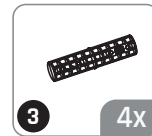
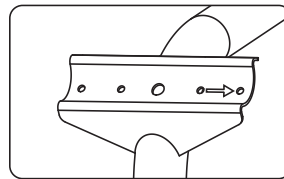
**32**



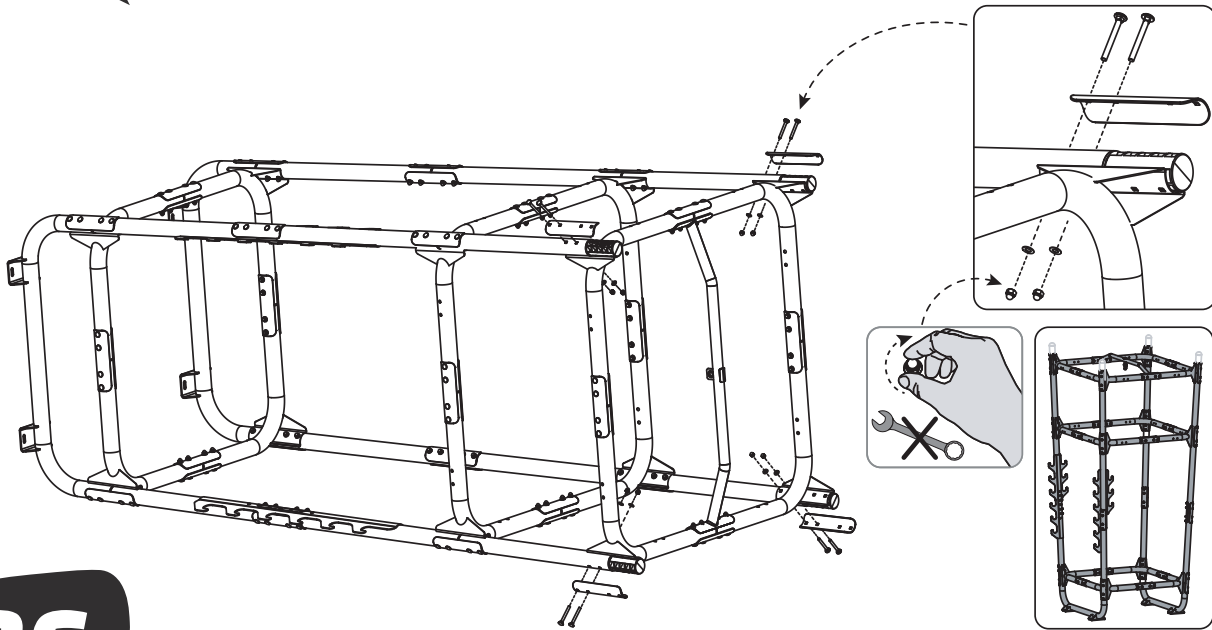
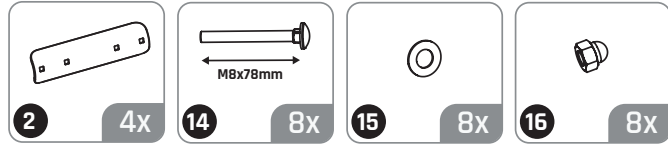
**33**



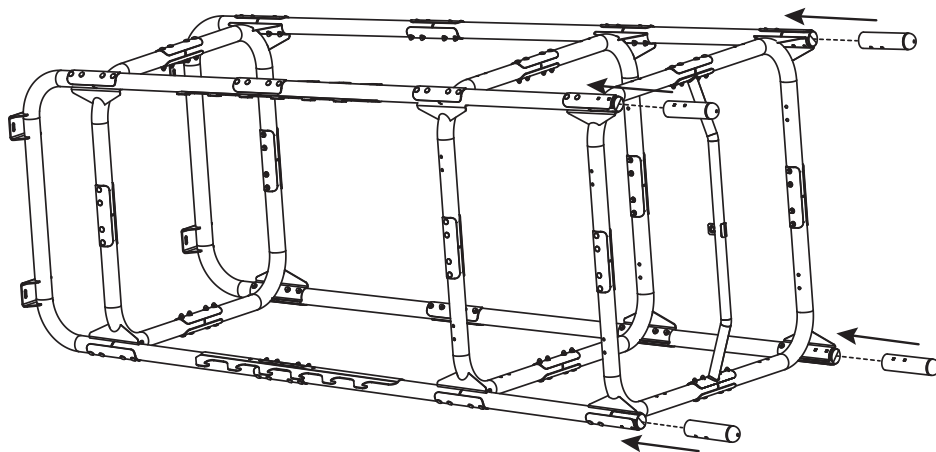
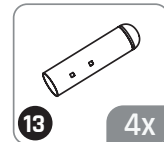
**34**



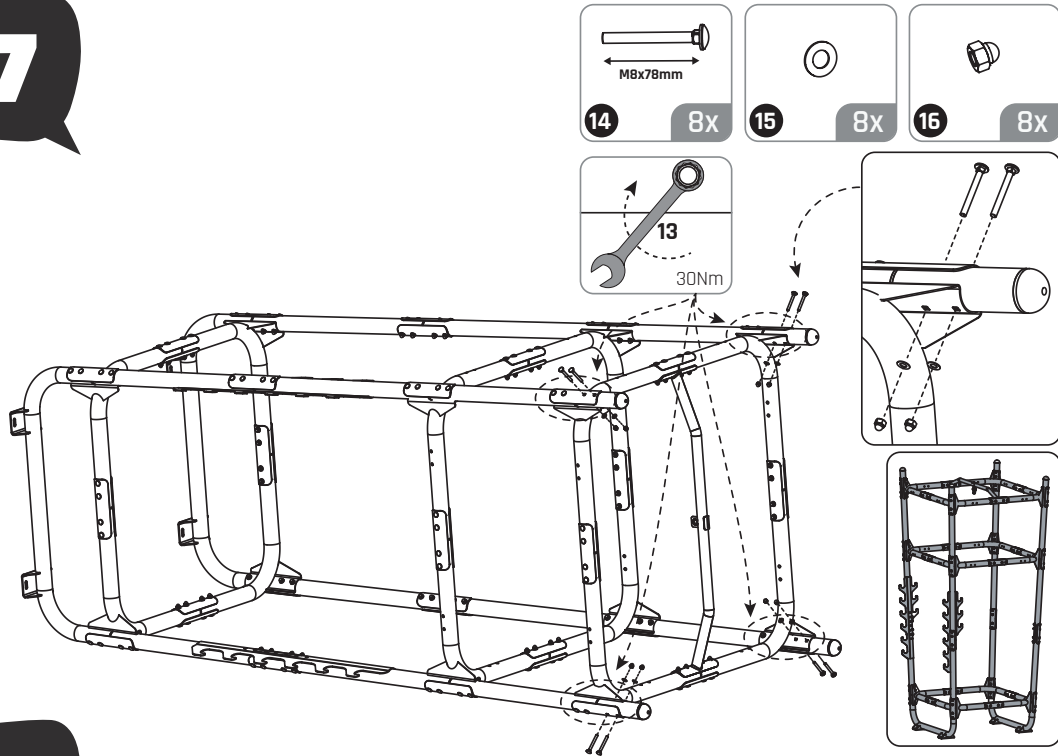
**35**



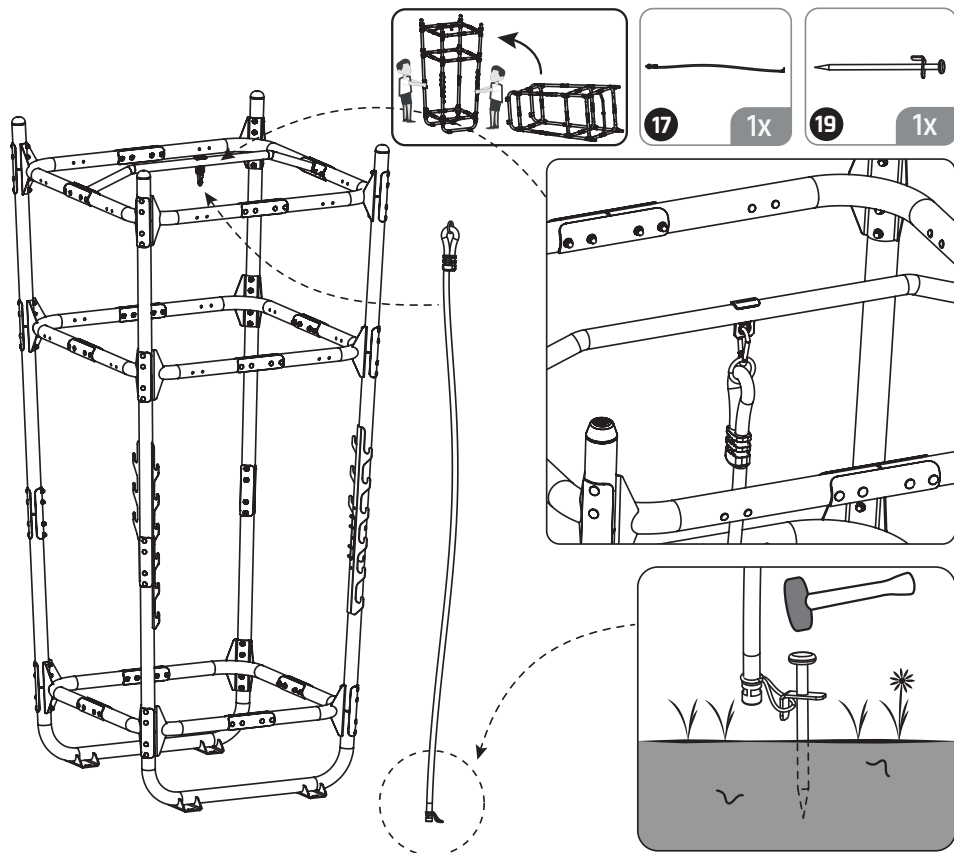
**36**



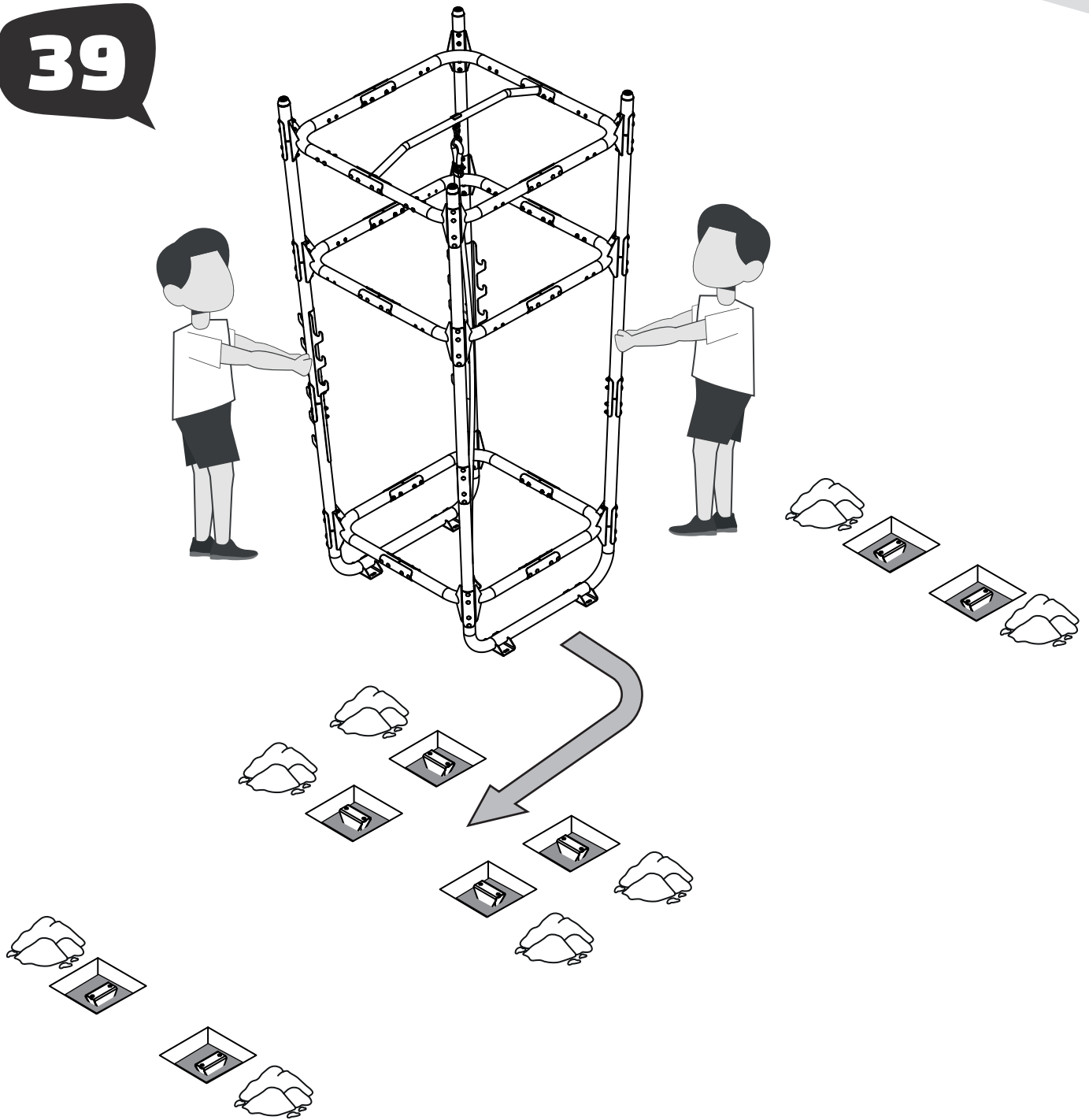
**37**



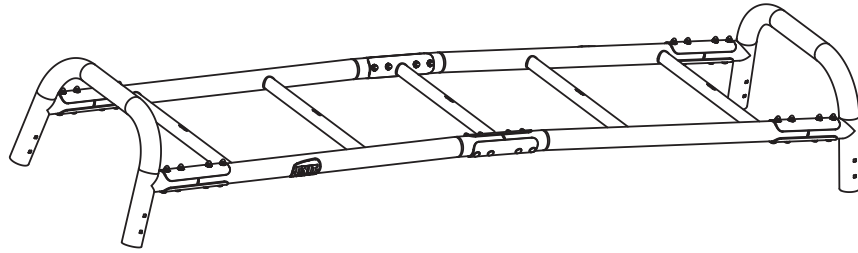
**38**



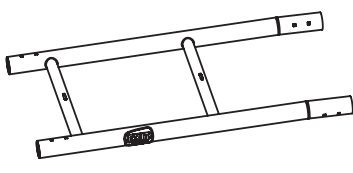
**39**





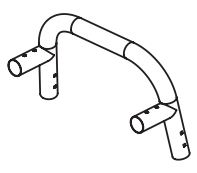


**1**



61.82.10.20 2X

**2**



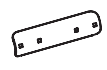
61.82.10.10 2X

**3**



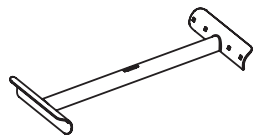
61.80.30.00 6X

**4**



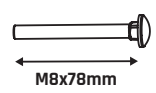
61.80.30.10 10X

**5**



61.82.10.50 1X

**6**



M8x78mm 24X

**7**



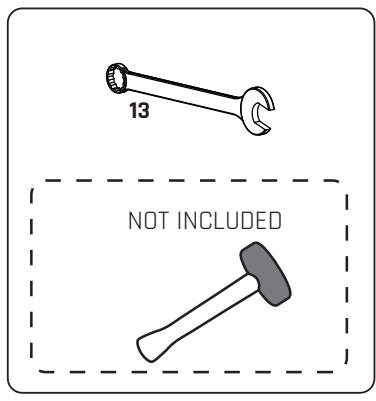
M8 24X

**8**

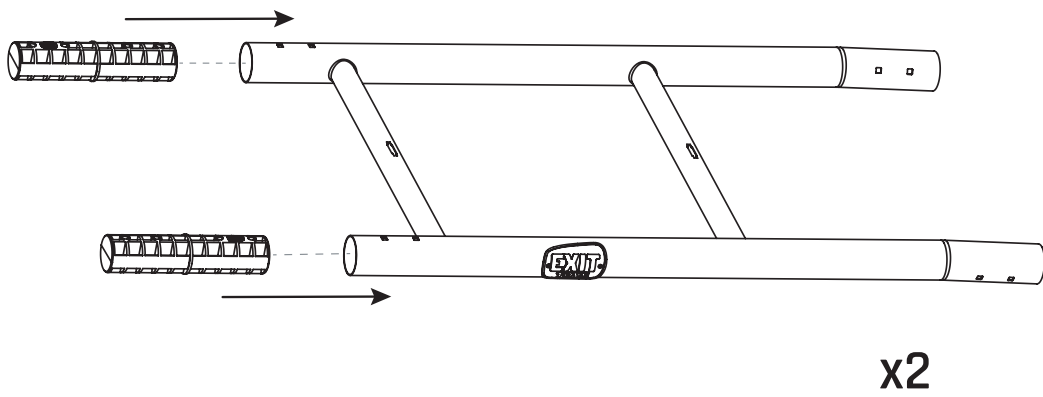
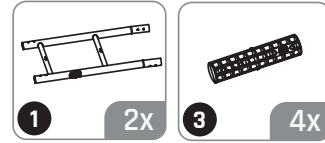


M8 24X

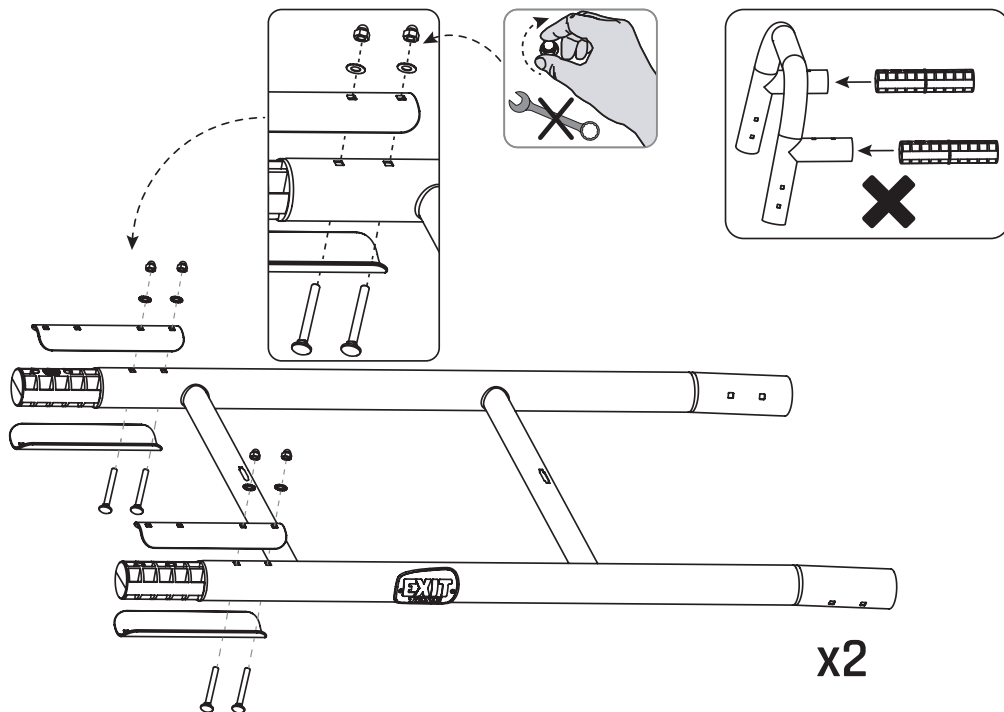
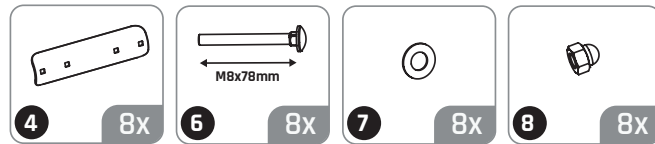
61.82.40.40 1X



**1**

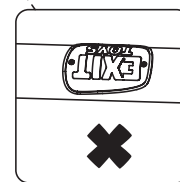
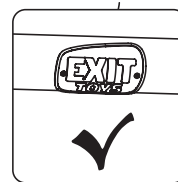
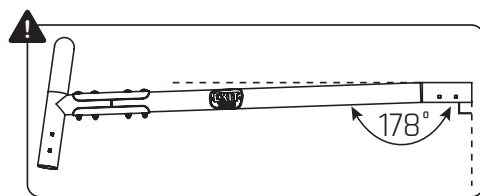
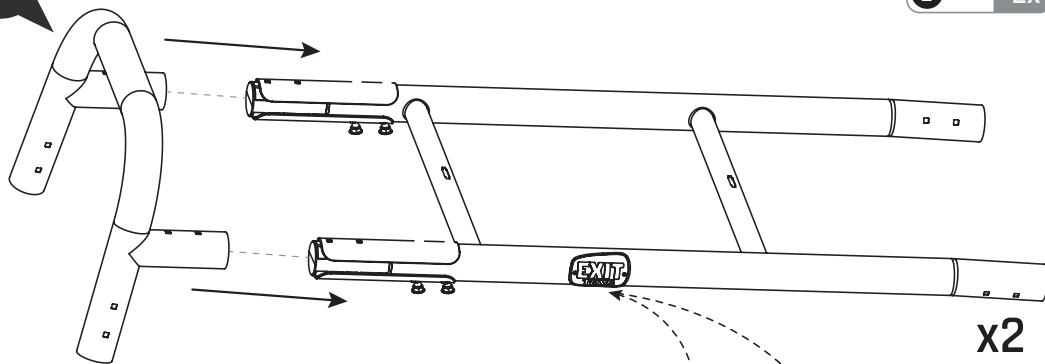
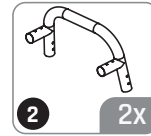


**2**

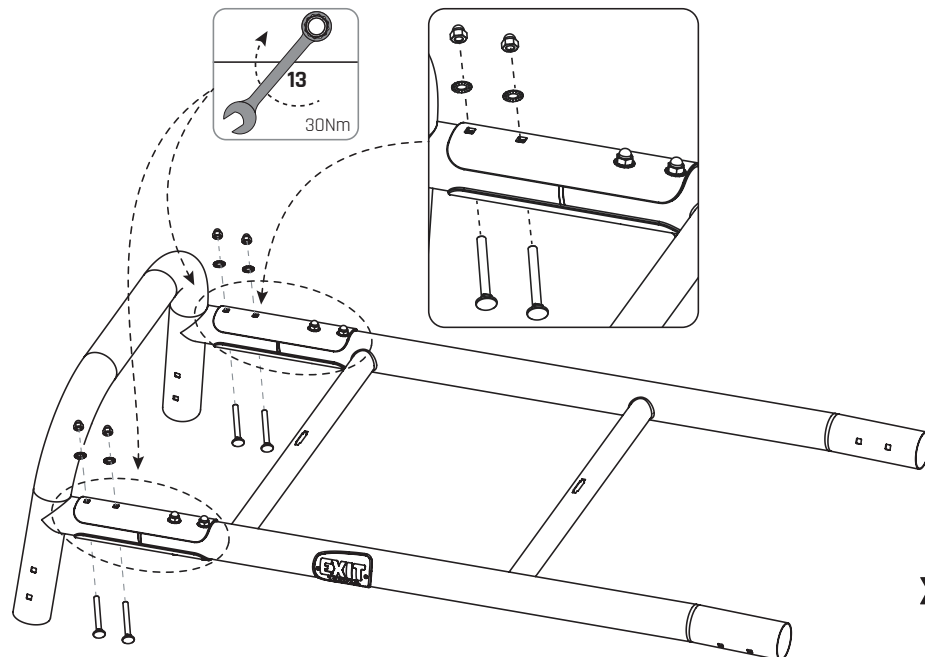
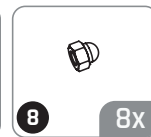
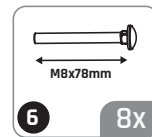




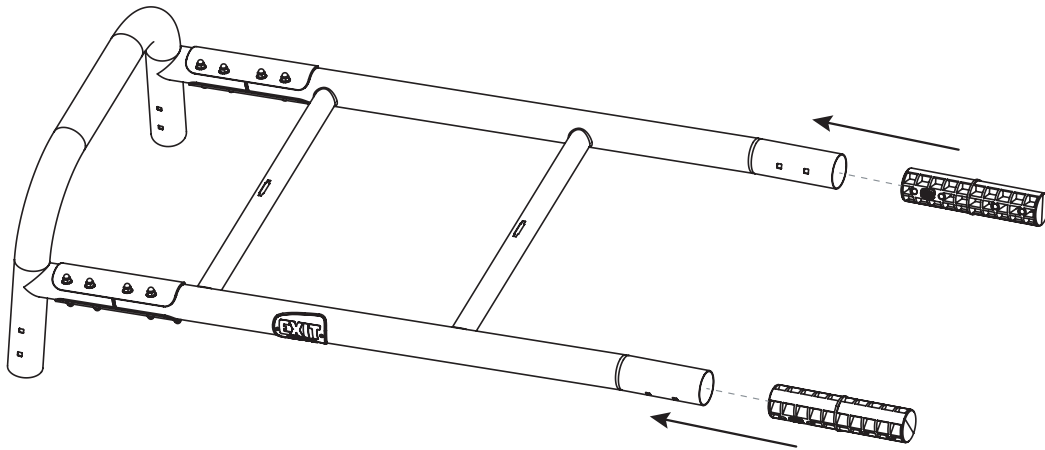
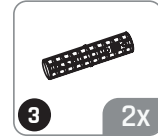
**3**



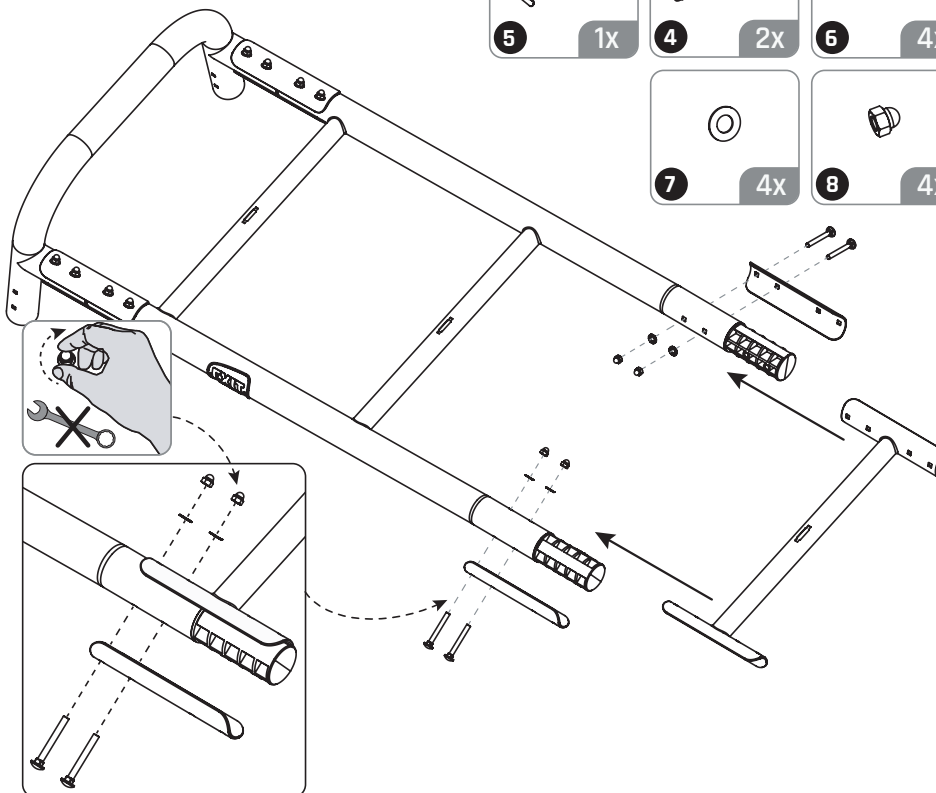
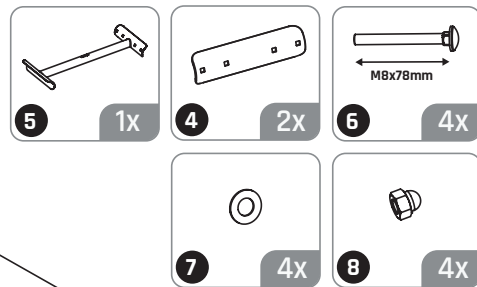
**4**

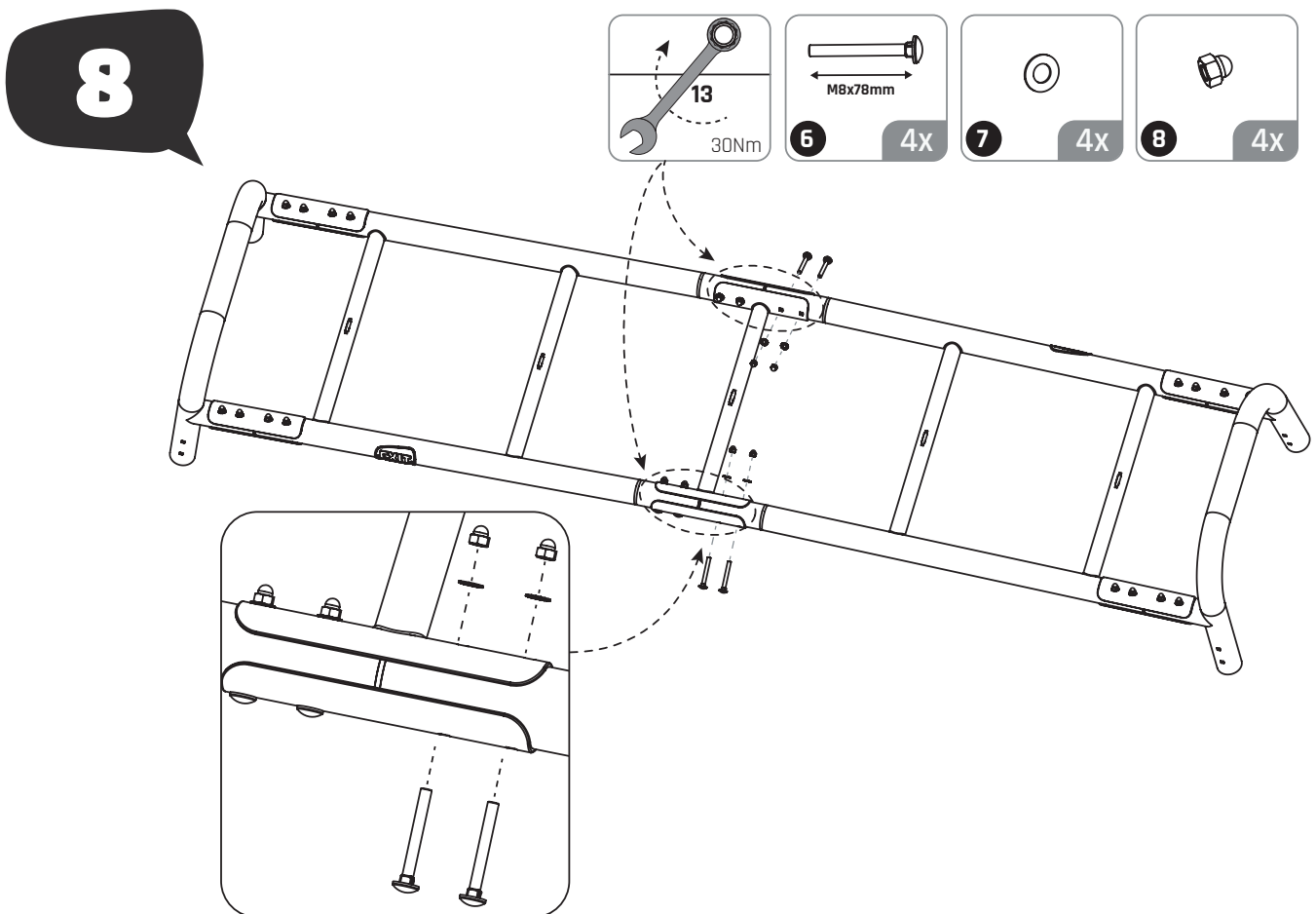
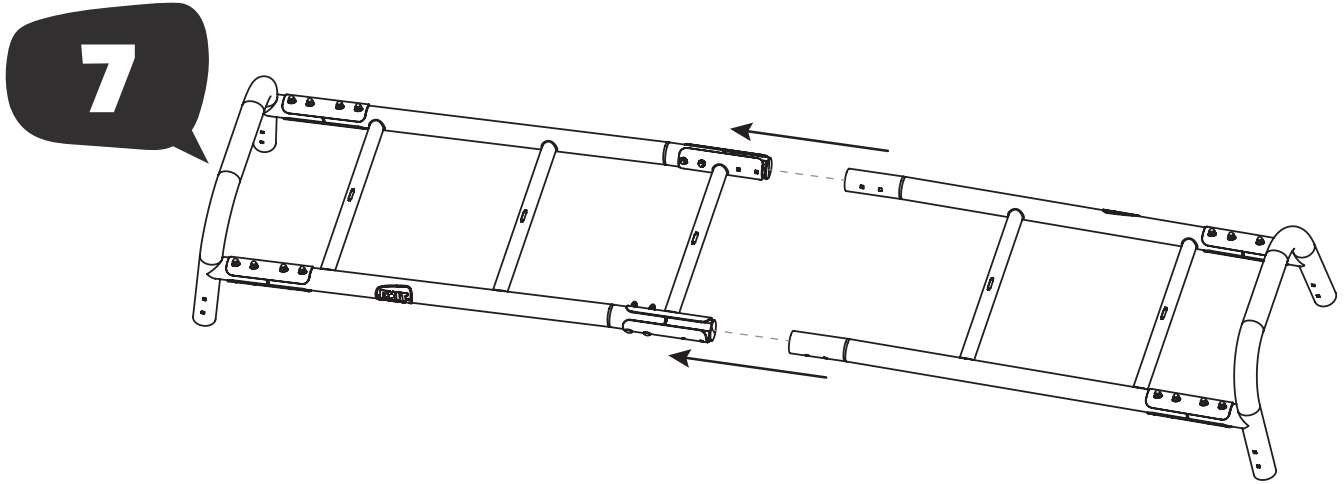


**5**

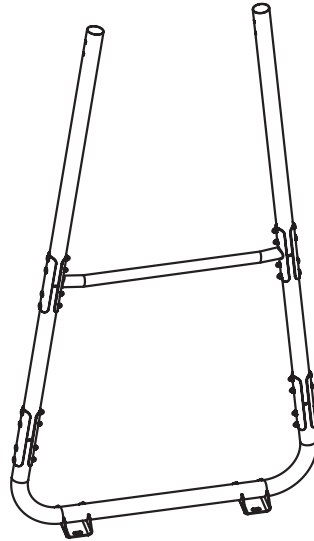


**6**









1



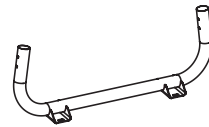
61.80.30.00 4X

2



61.80.30.10 6X

3



61.82.10.30 1X

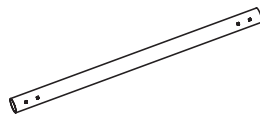
4



645mm

61.82.20.65 2X

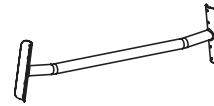
5



1060mm

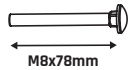
61.82.21.06 2X

9



54.90.17.00 1X

6



M8x78mm 16X

7



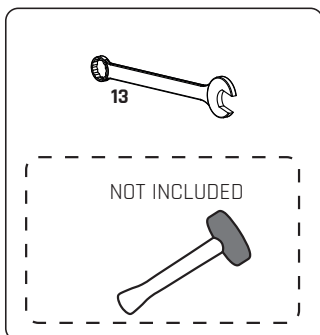
M8 16X

8

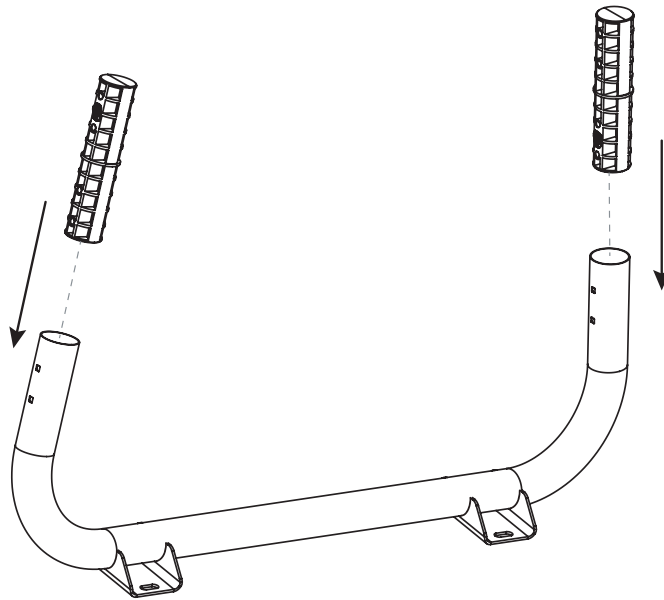
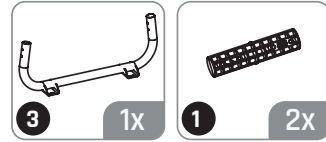


M8 16X

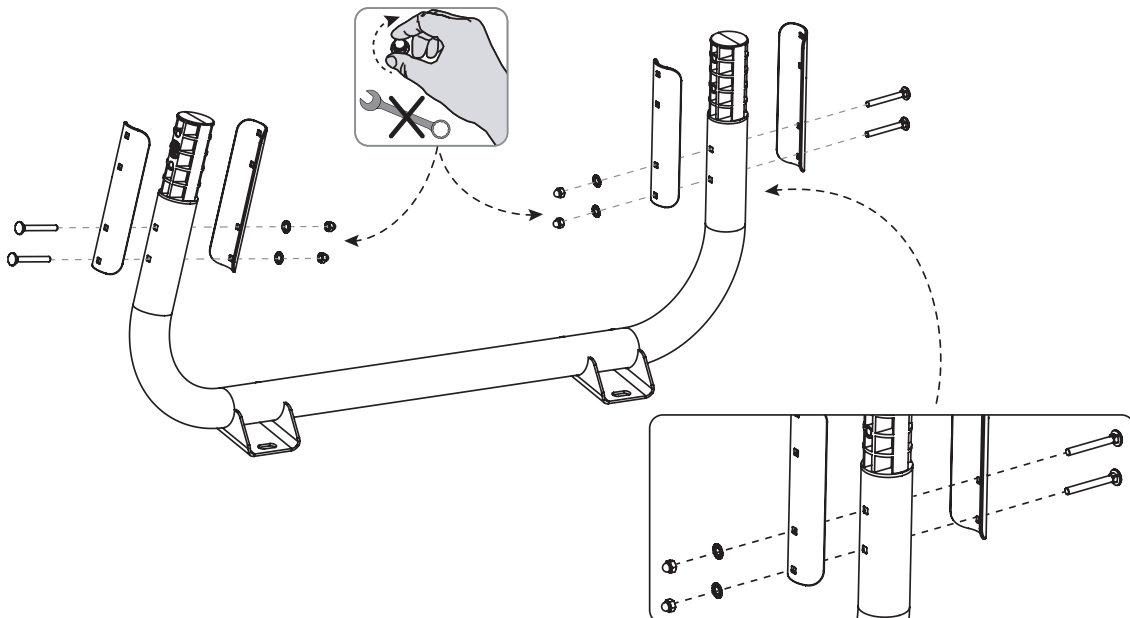
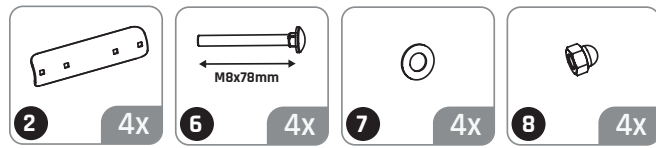
61.82.40.40 1X



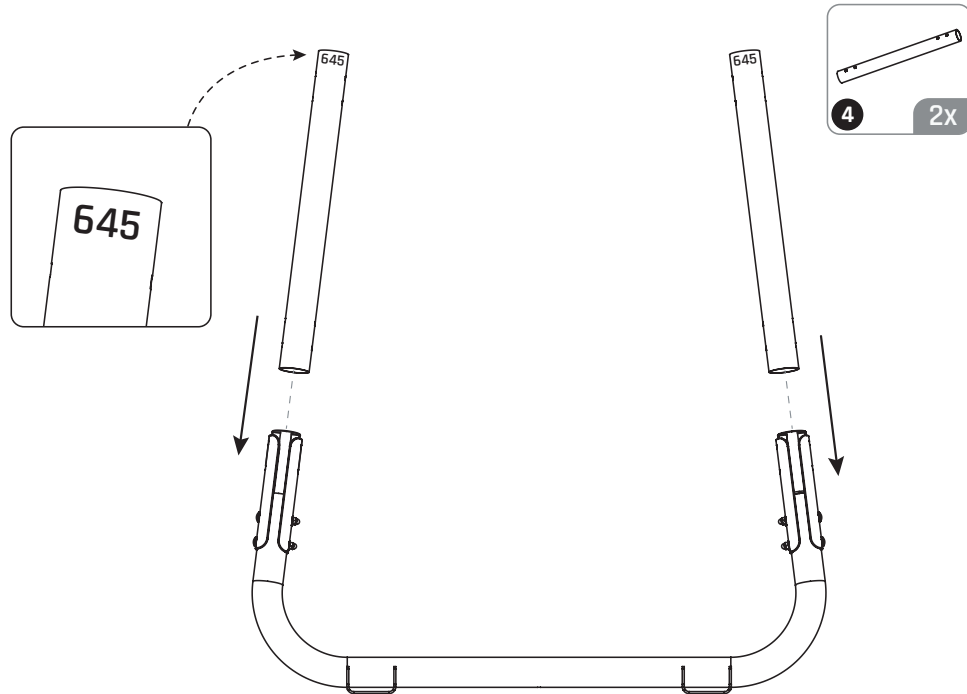
**1**



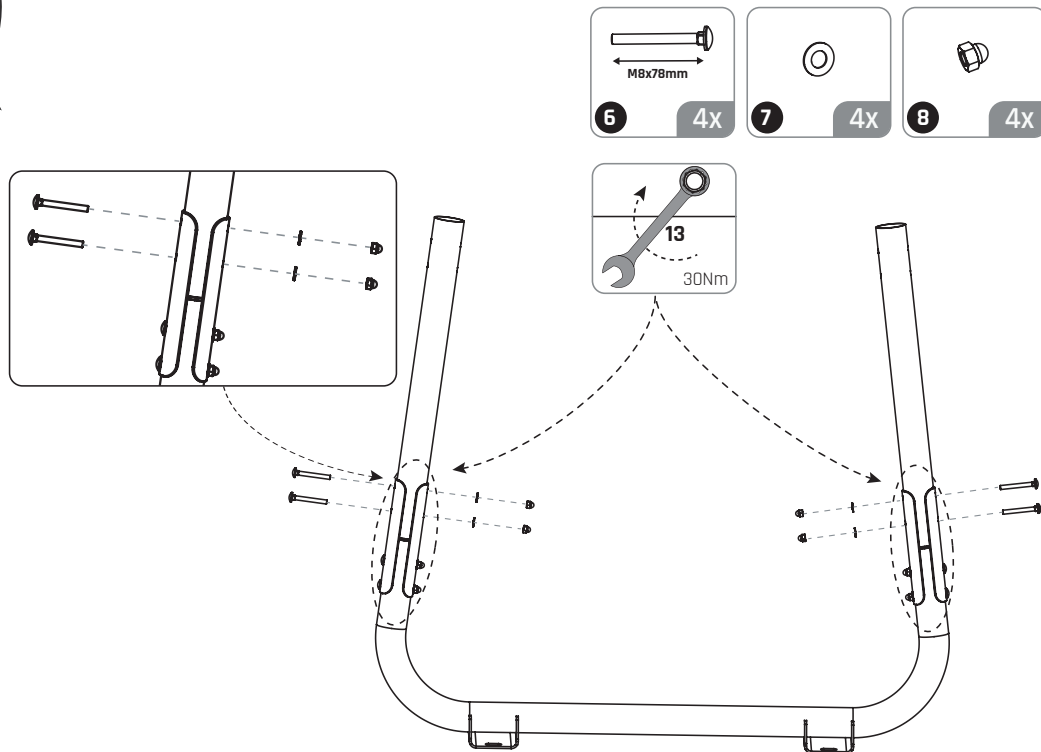
**2**



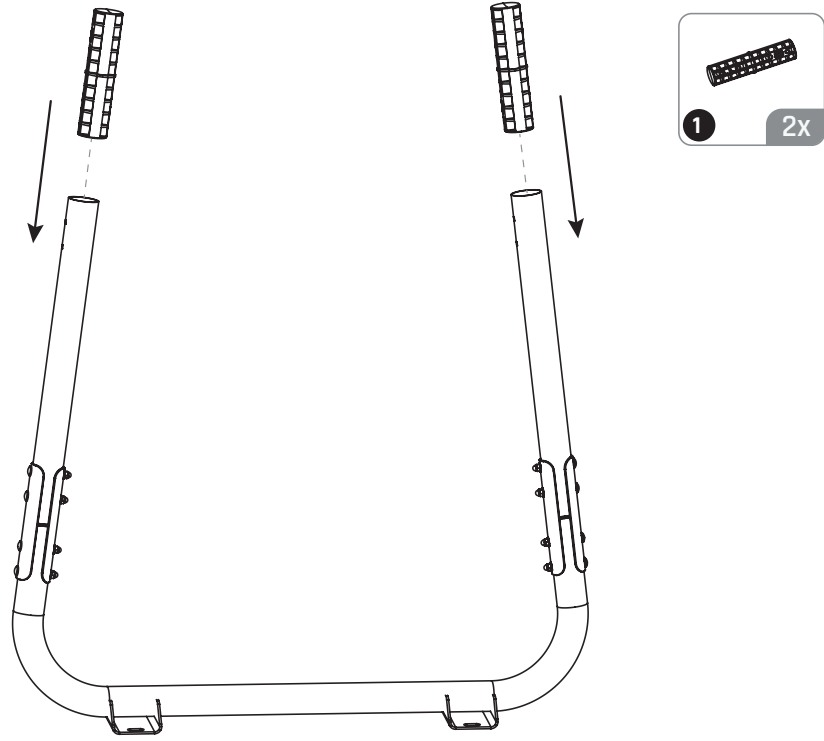
**3**



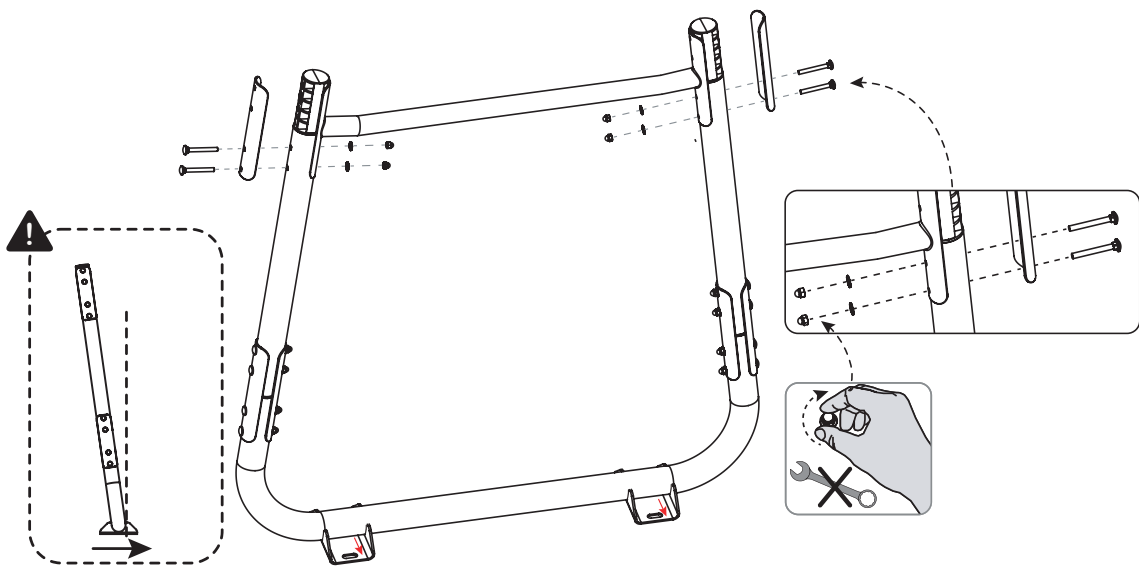
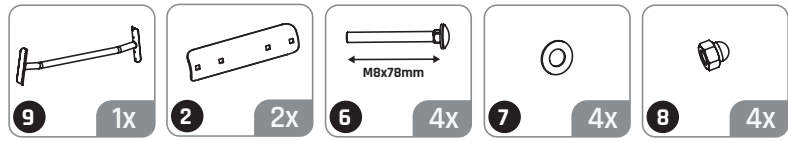
**4**



**5**

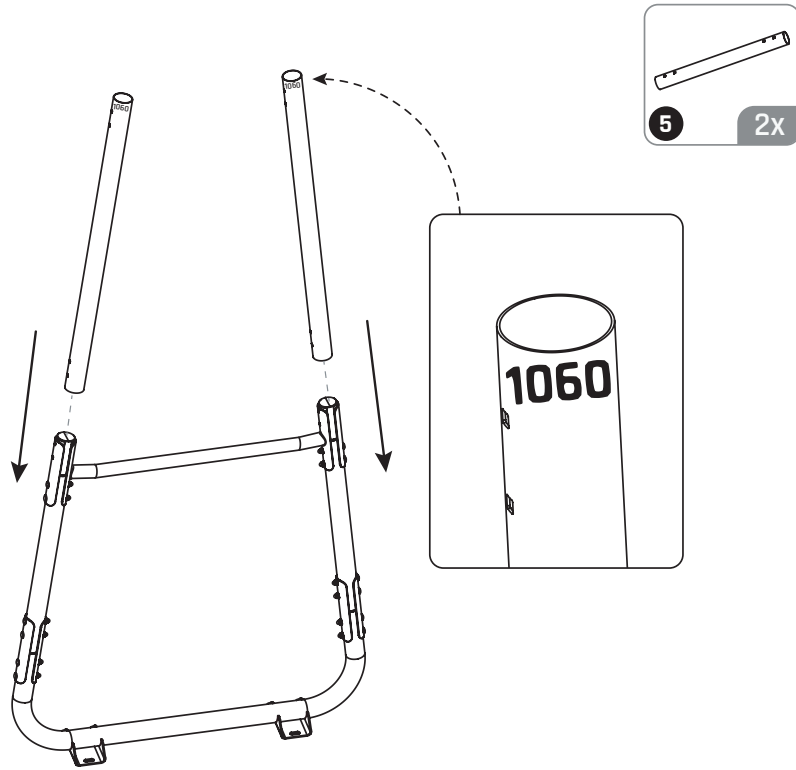


**6**

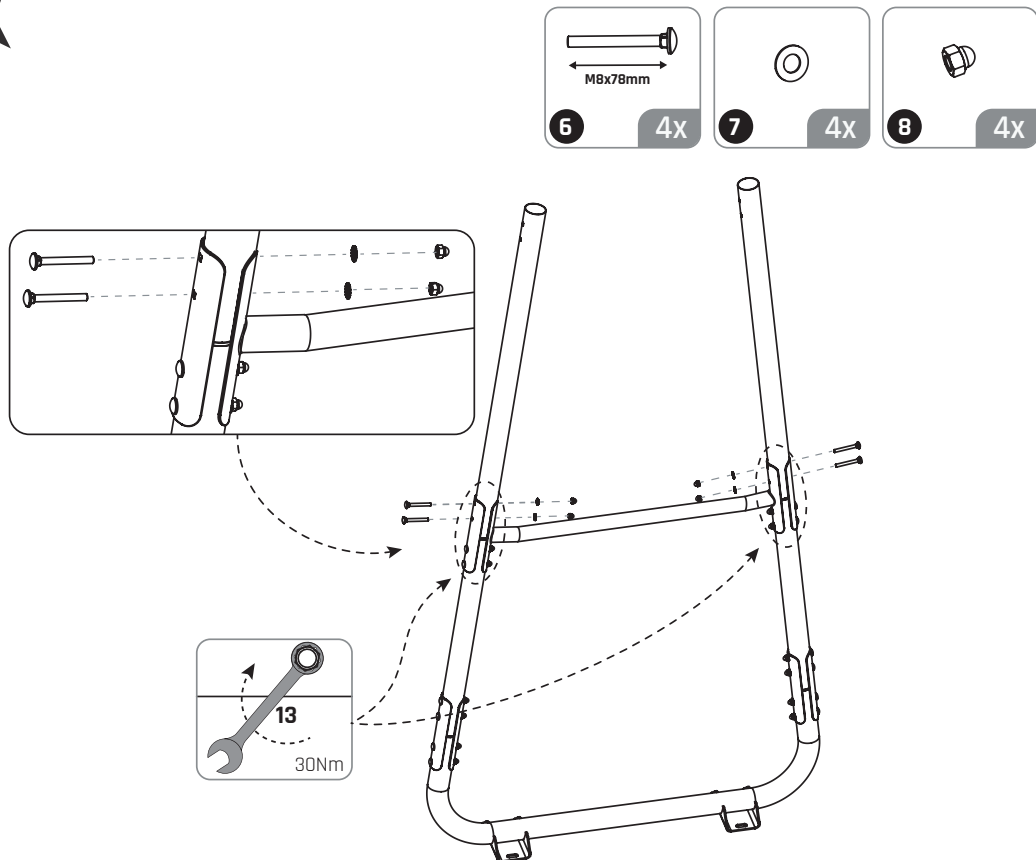




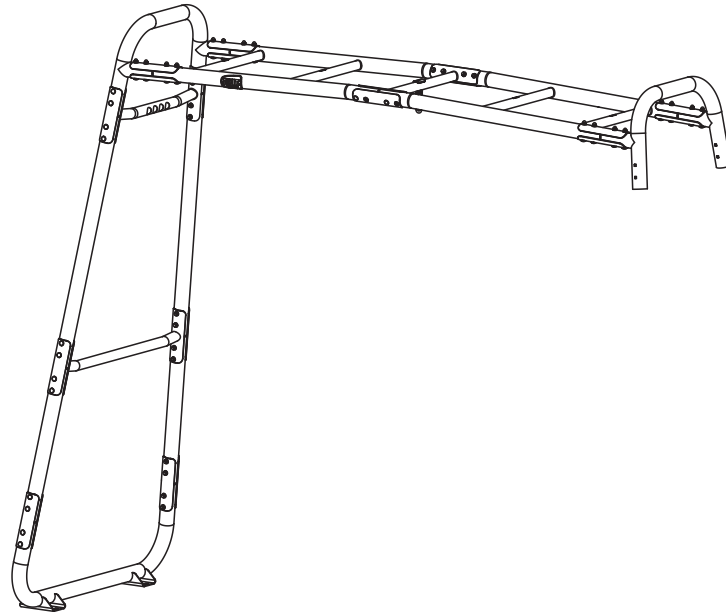
**7**



**8**





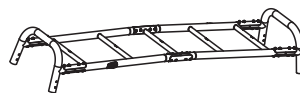


1



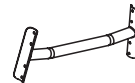
1X

2



1X

3



61.82.10.40 1X

4



61.80.30.10 2X

5



61.80.30.00 2X

9

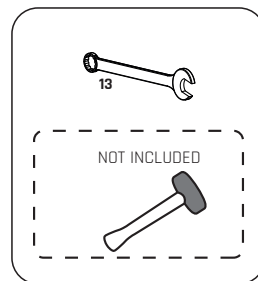


61.80.30.40 1X

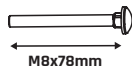
10



61.80.30.50 1X



6



M8x78mm 8X

7



M8 8X

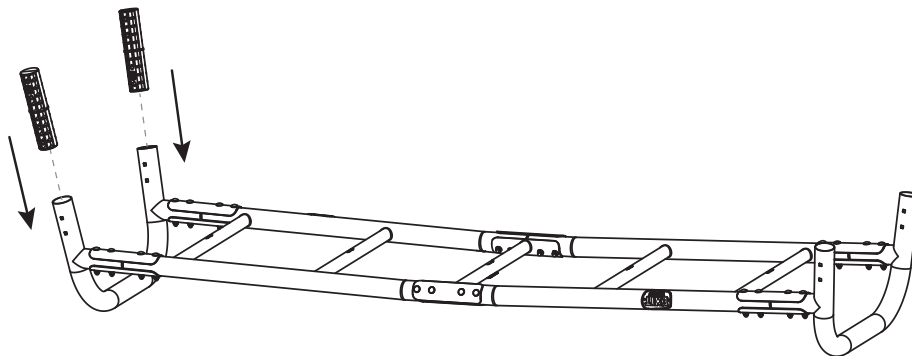
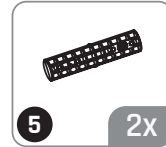
8



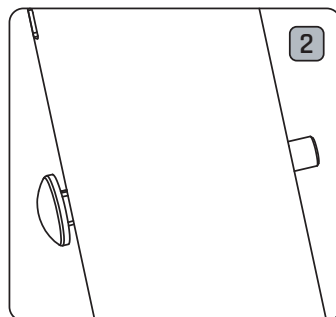
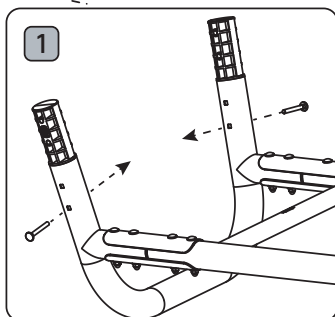
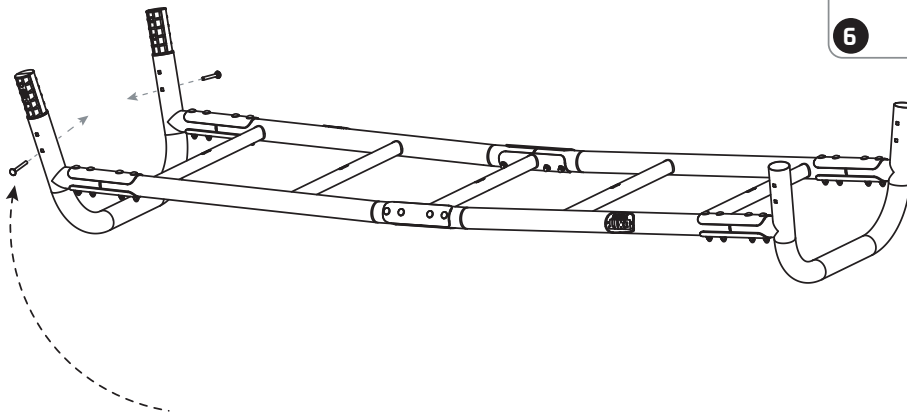
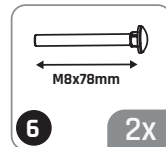
M8 8X

61.82.40.40 1X

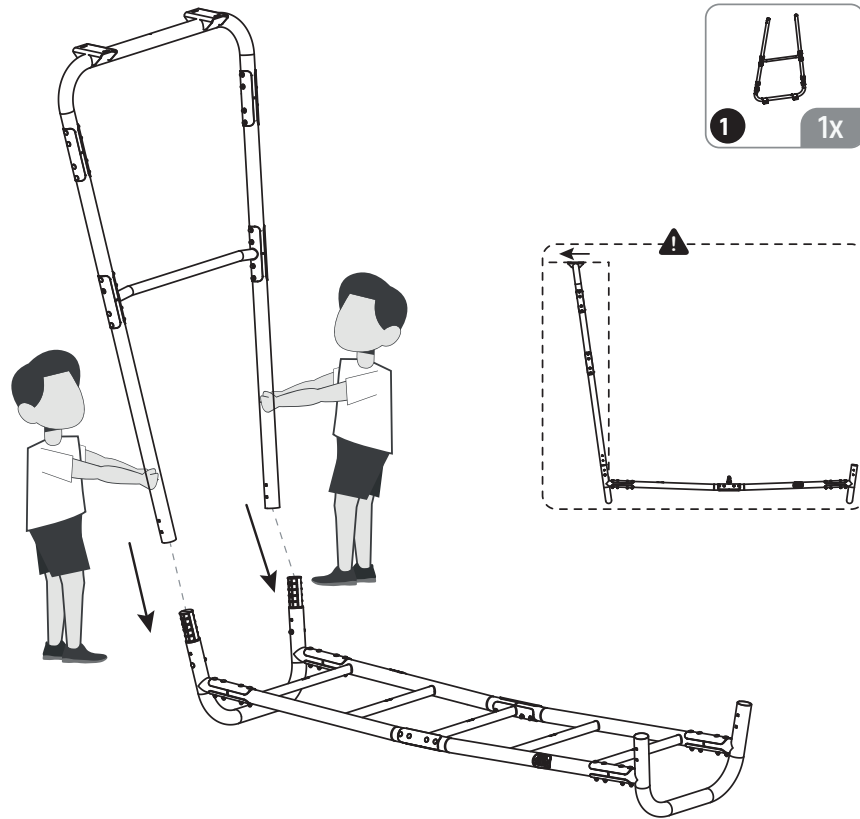
**1**



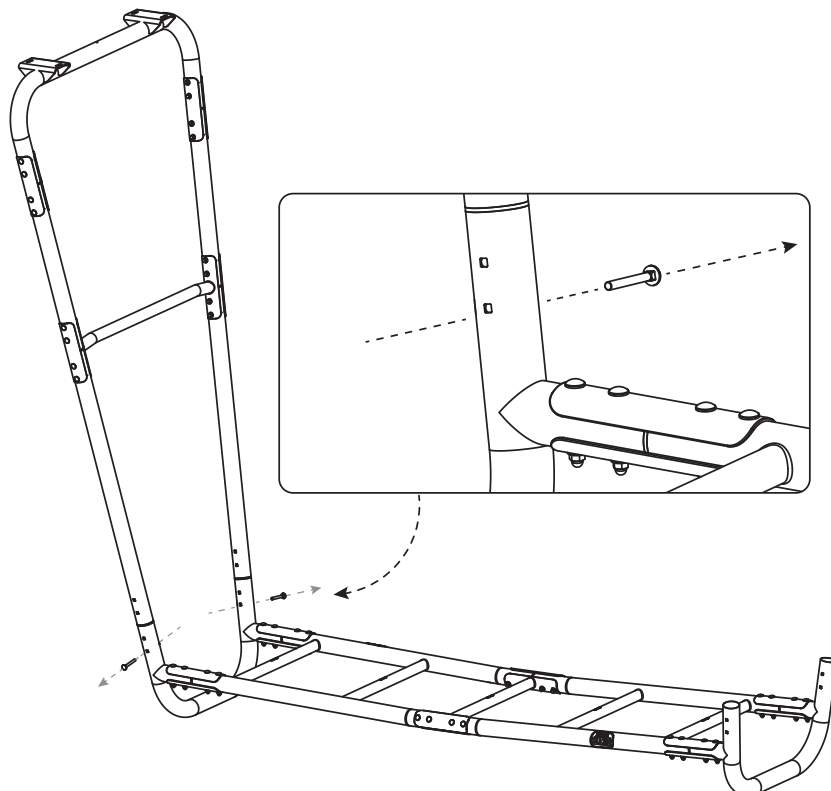
**2**



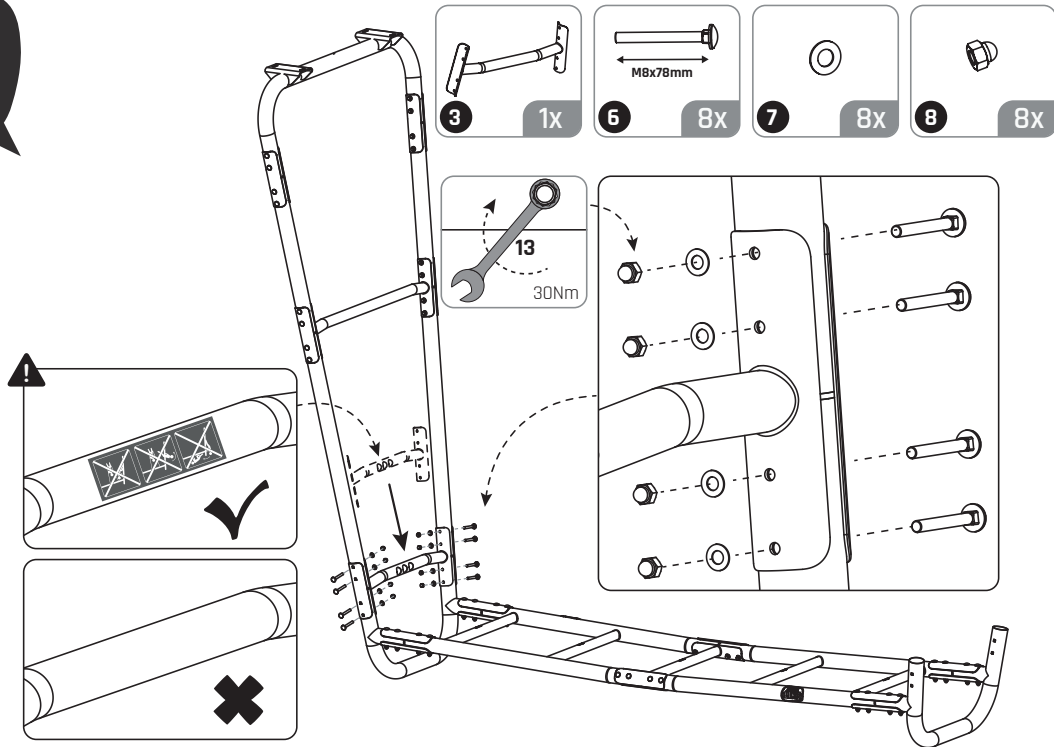
**3**



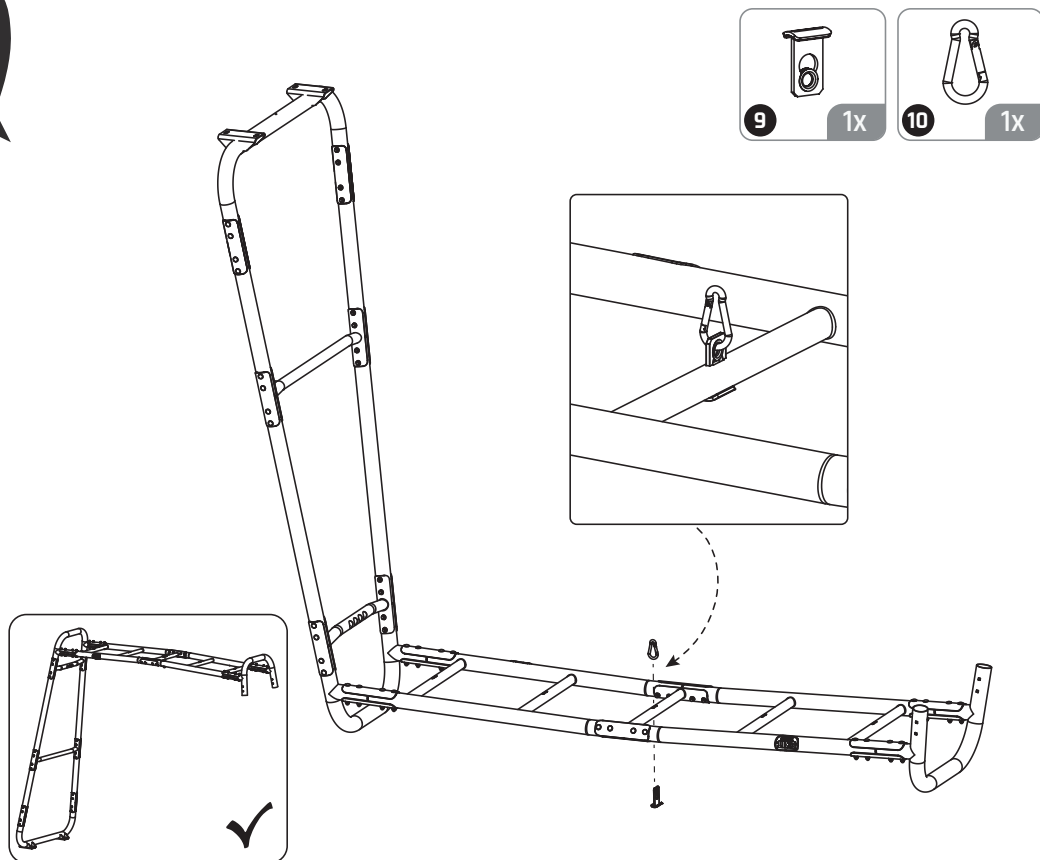
**4**



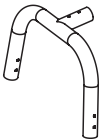
**5**




**6**



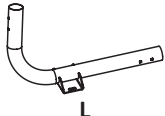


**1** 

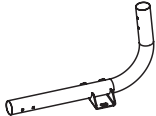
61.86.10.30	2X
-------------	----

**2** 

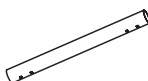
61.86.10.40	1X
-------------	----

**3** 


61.86.10.10	1X
-------------	----

**4** 

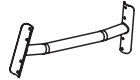
61.86.10.20	1X
-------------	----

**5** 


61.86.20.65	2X
-------------	----

**6** 

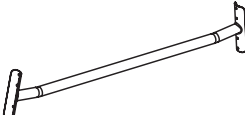
61.86.20.89	4X
-------------	----

**7** 

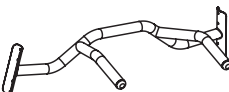
61.82.10.40	1X
-------------	----

**8** 


54.90.16.00	2X
-------------	----

**9** 


54.90.11.00	1X
-------------	----

**10** 


54.90.10.00	1X
-------------	----

**11** 

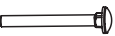
61.80.30.10	16X
-------------	-----

**12** 


61.80.30.00	11X
-------------	-----

**13** 


61.80.30.55	2X
-------------	----

**14** 

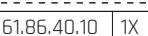
M8x78mm	44X
---------	-----

**15** 

M8	44X
----	-----

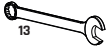
**16** 


M8	44X
----	-----

**17** 

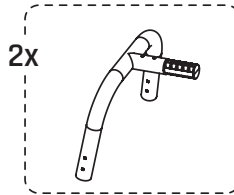
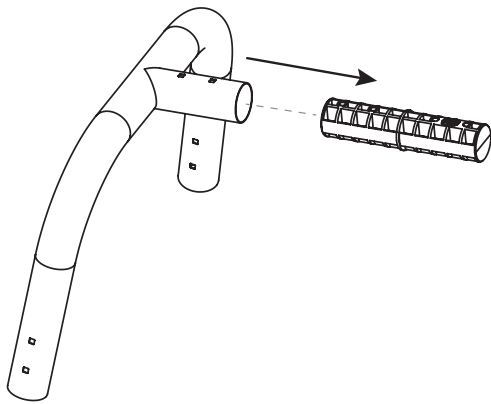
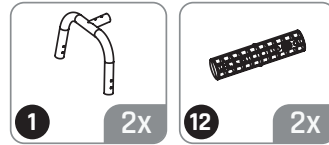
61.86.40.10	1X
-------------	----

**NOT INCLUDED**

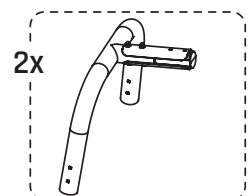
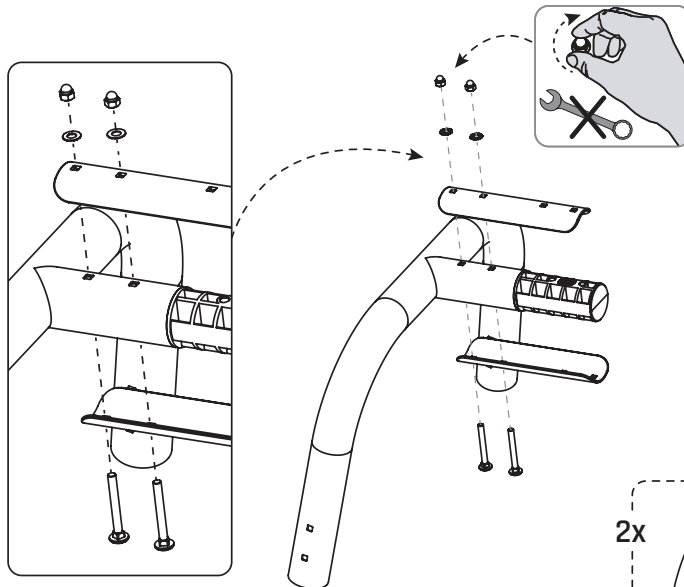
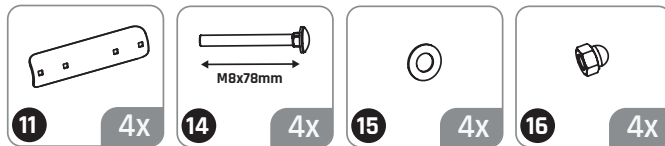
 **13**



**1**

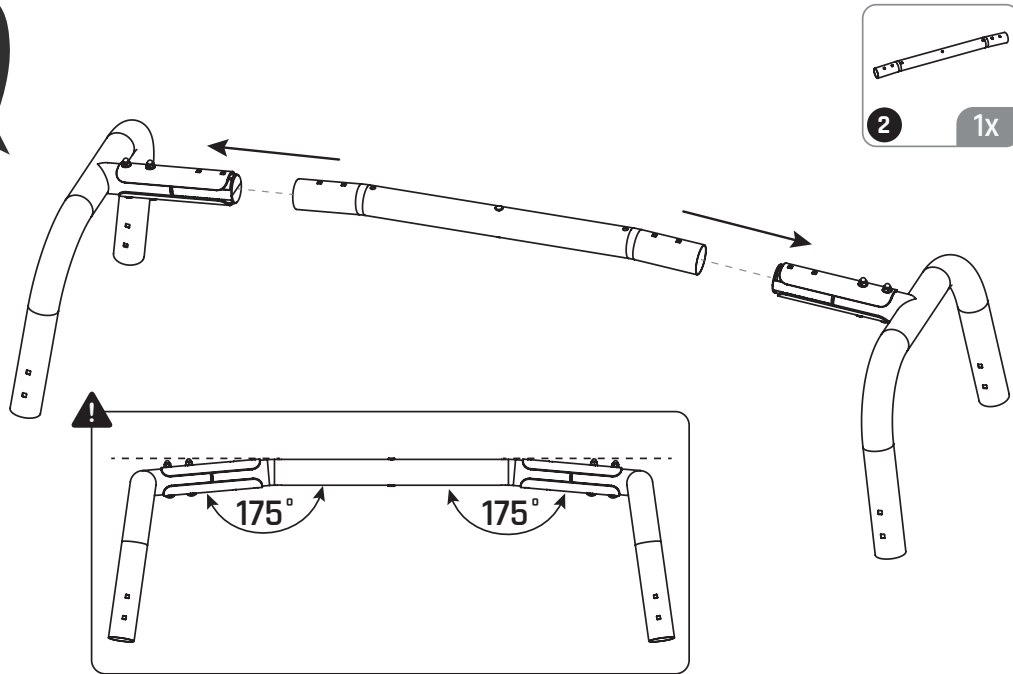


**2**

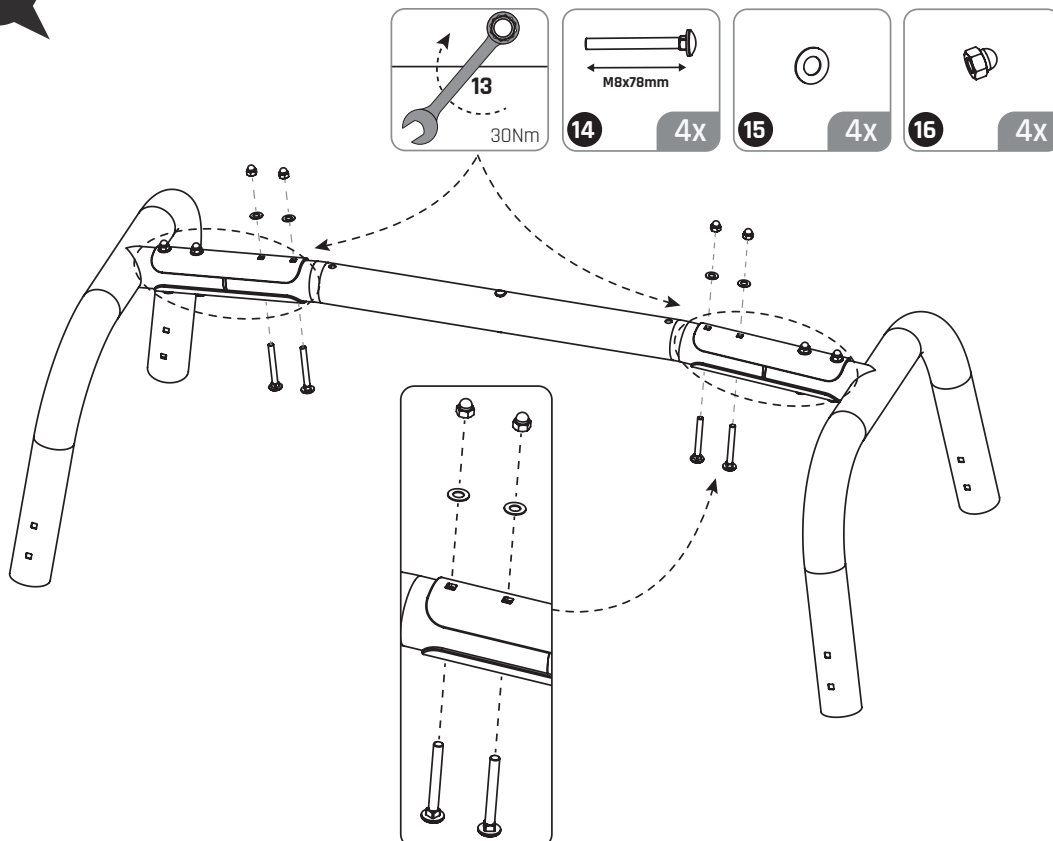




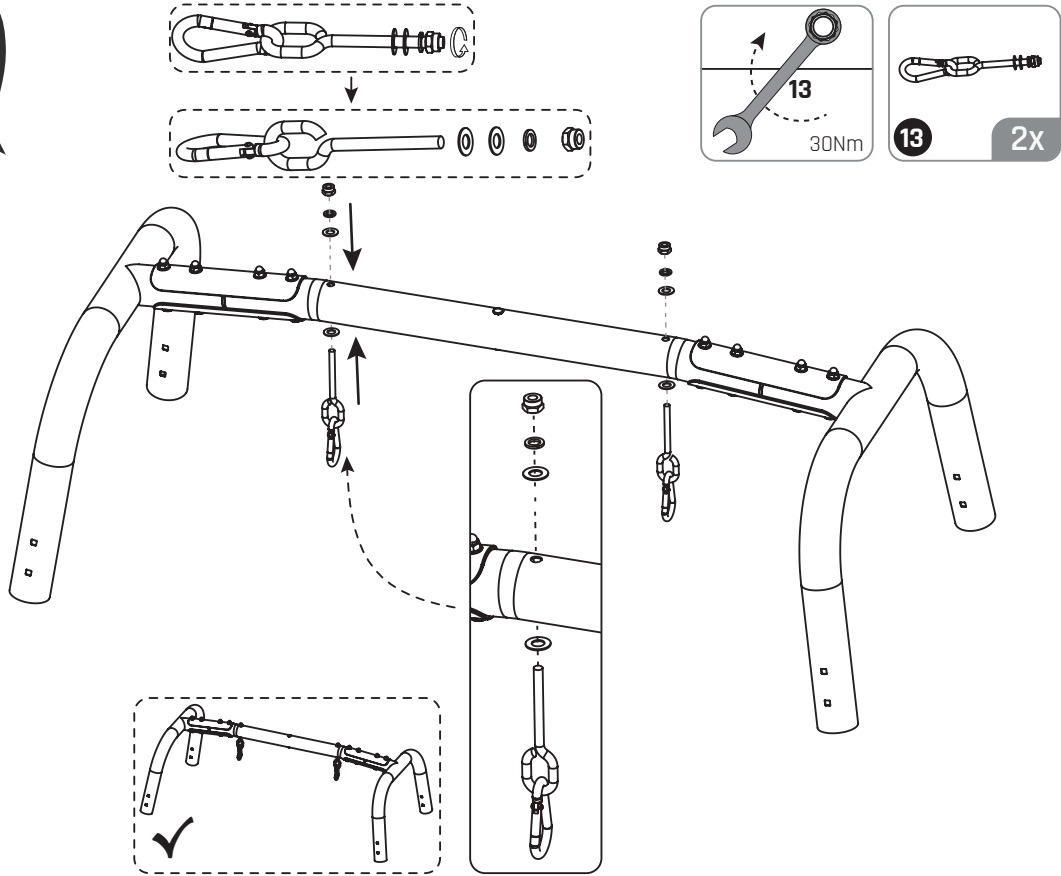
**3**



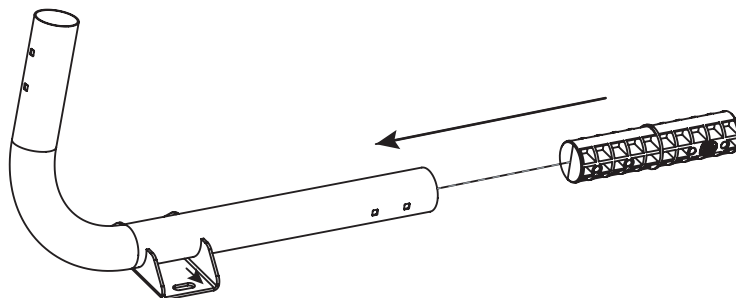
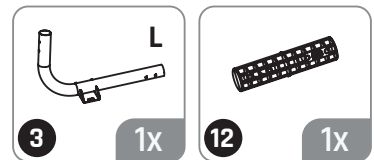
**4**



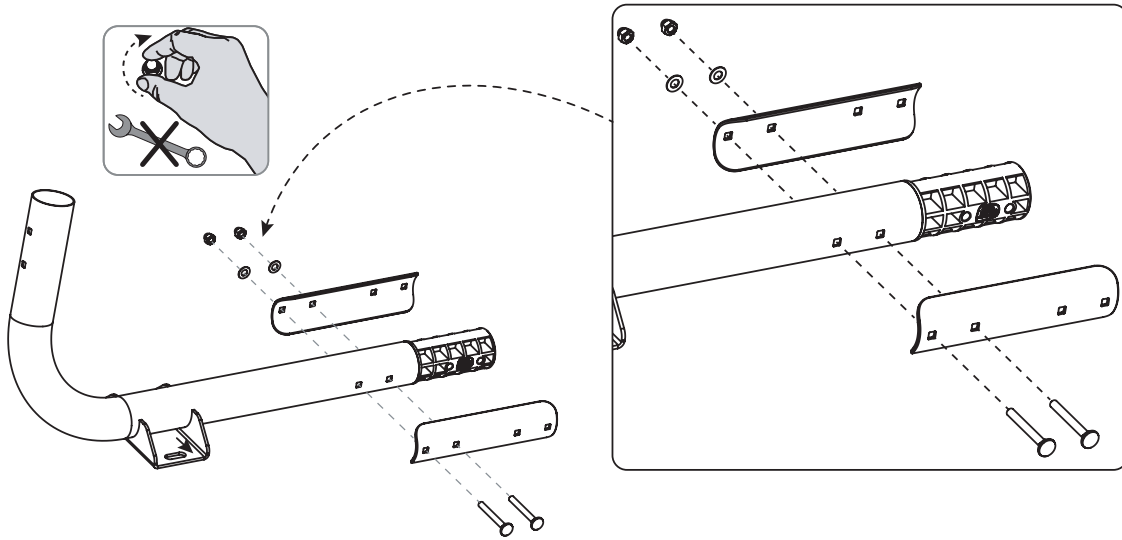
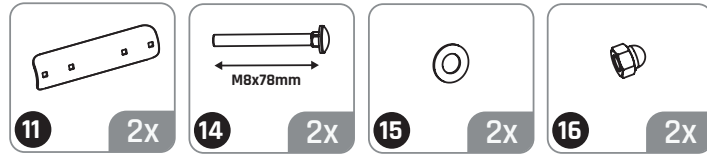
**5**



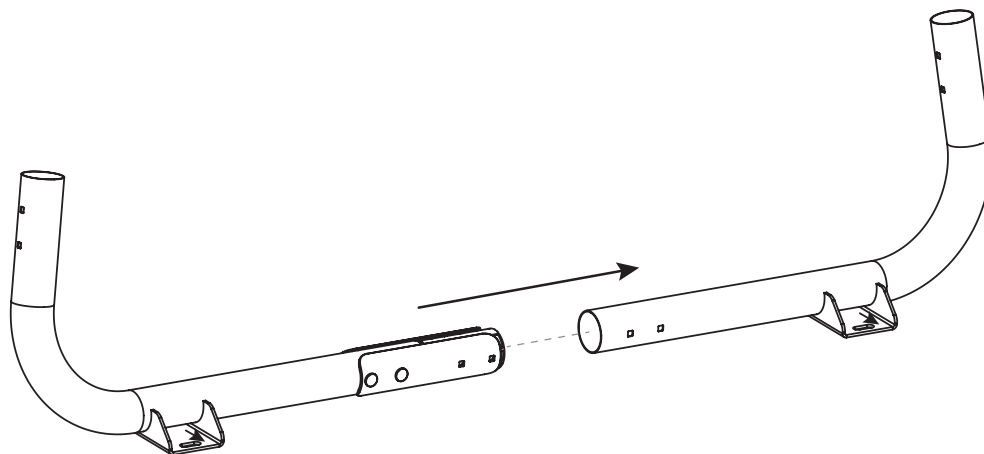
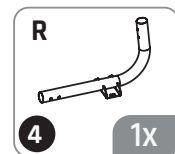
**6**



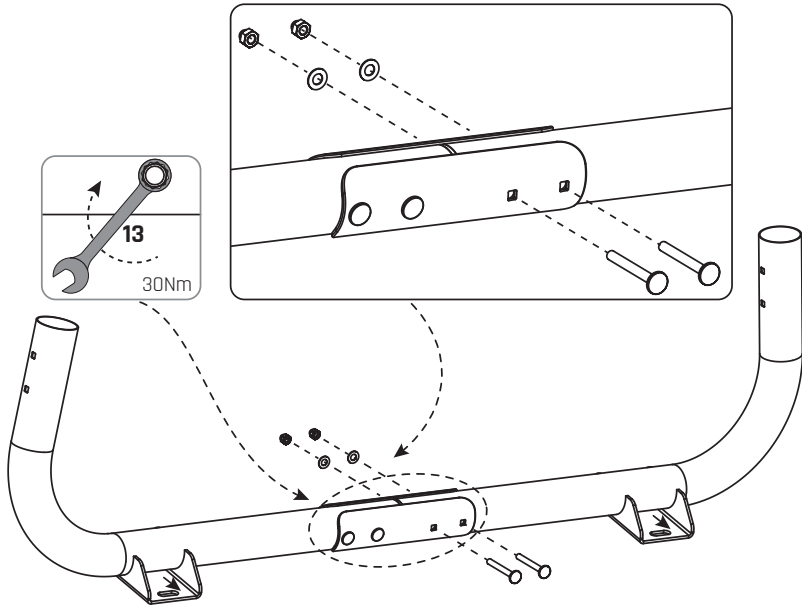
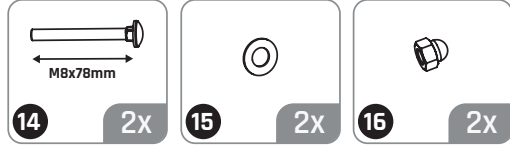
**7**



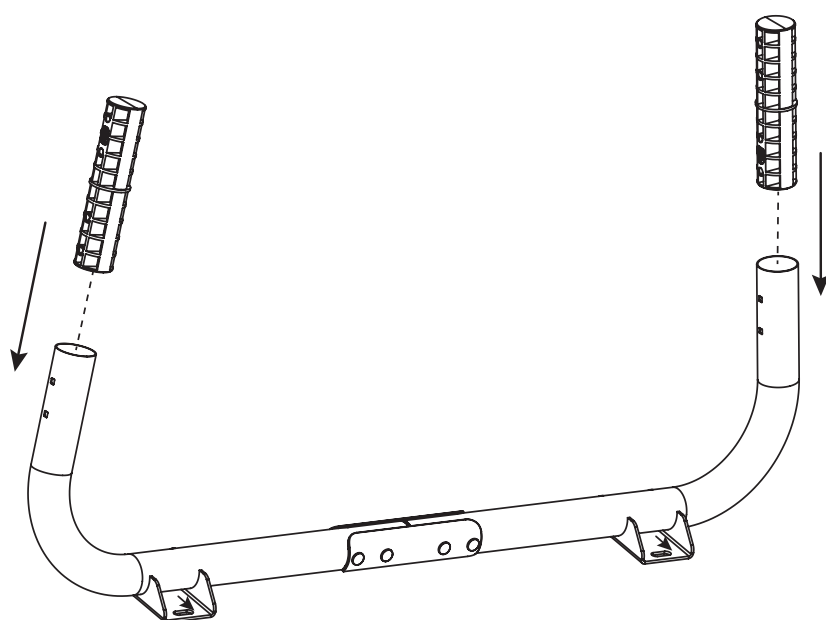
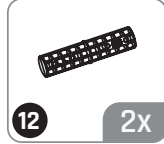
**8**



**9**

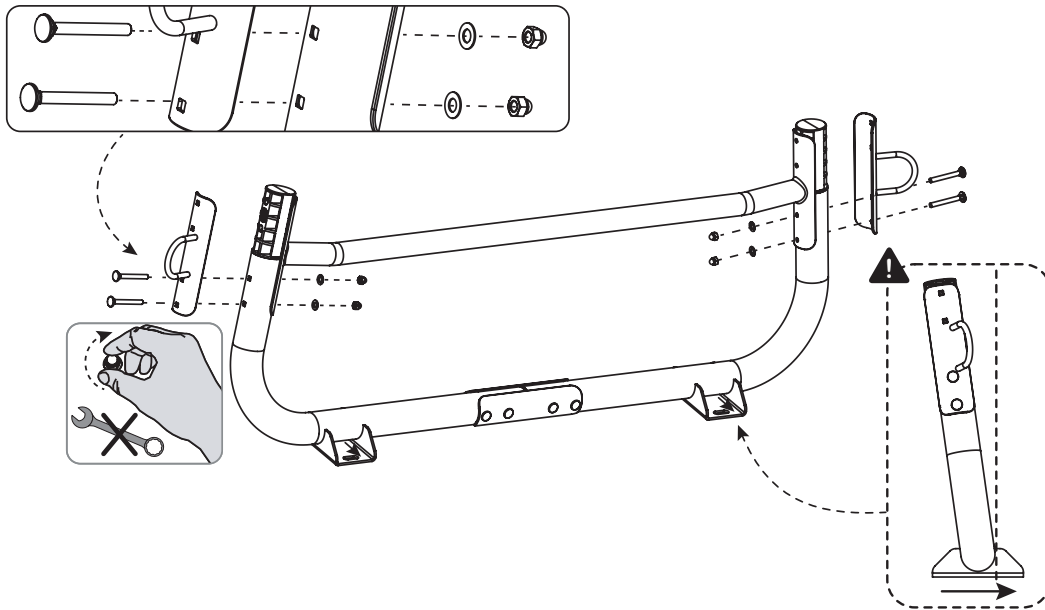


**10**



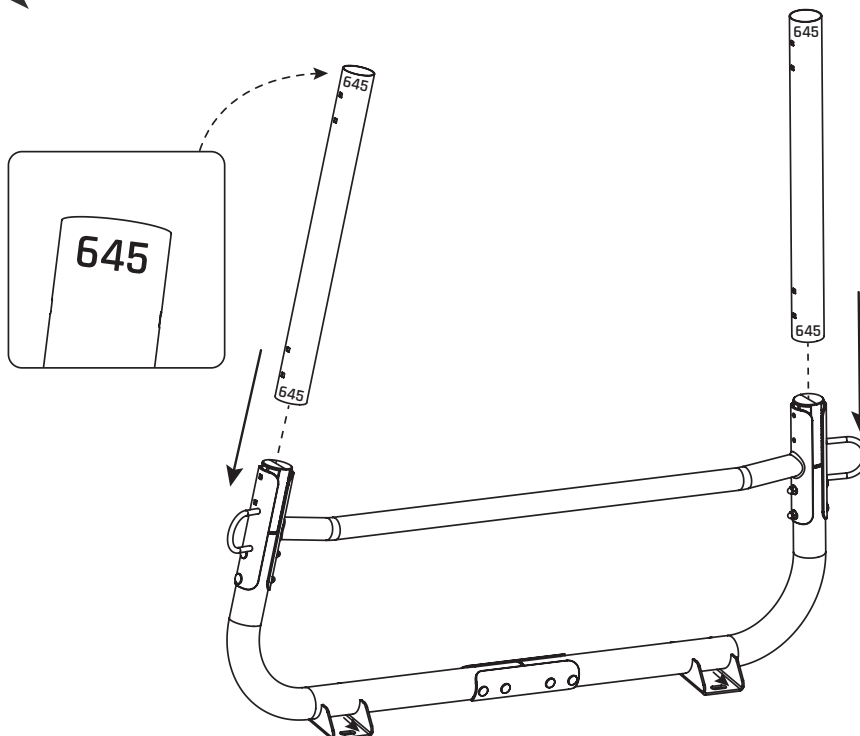
**11**

- 8 2x
- 9 1x
- 14 4x (M8x78mm)
- 15 4x
- 16 4x

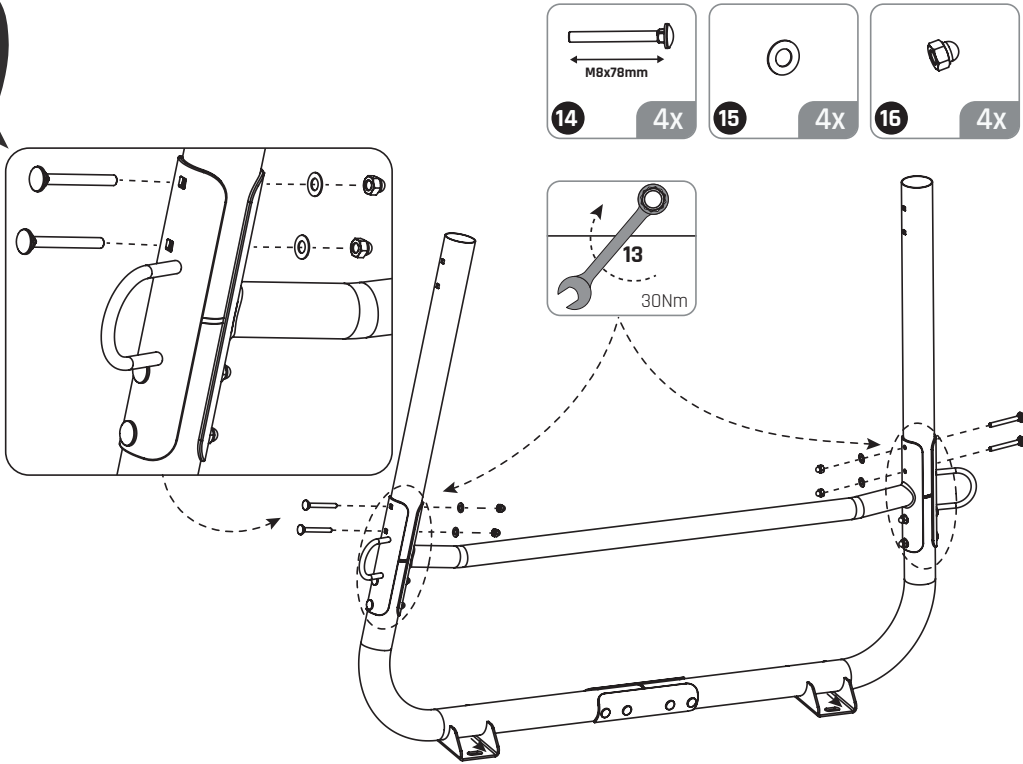


**12**

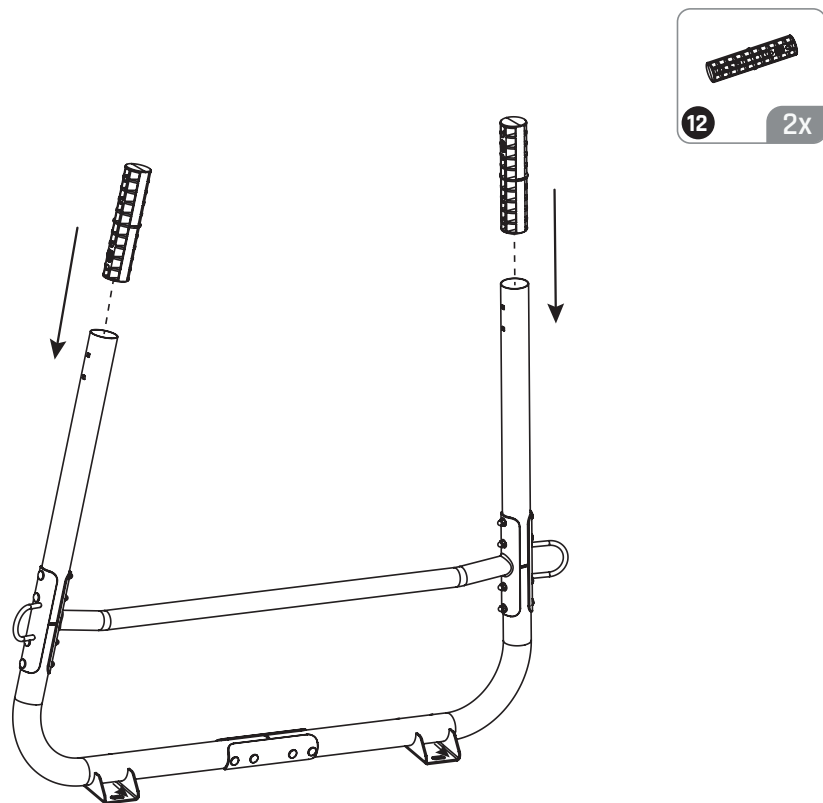
- 5 2x



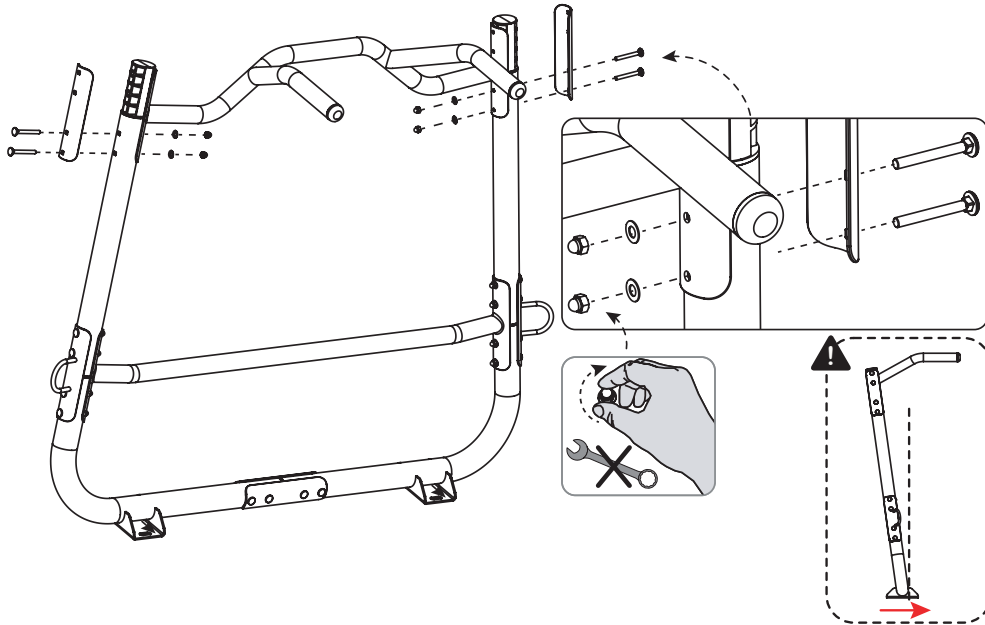
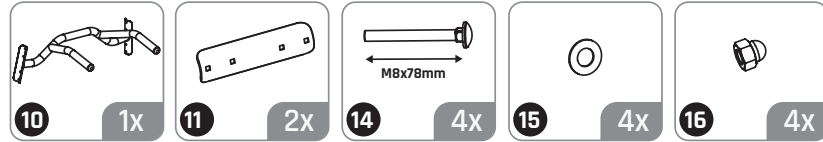
**13**



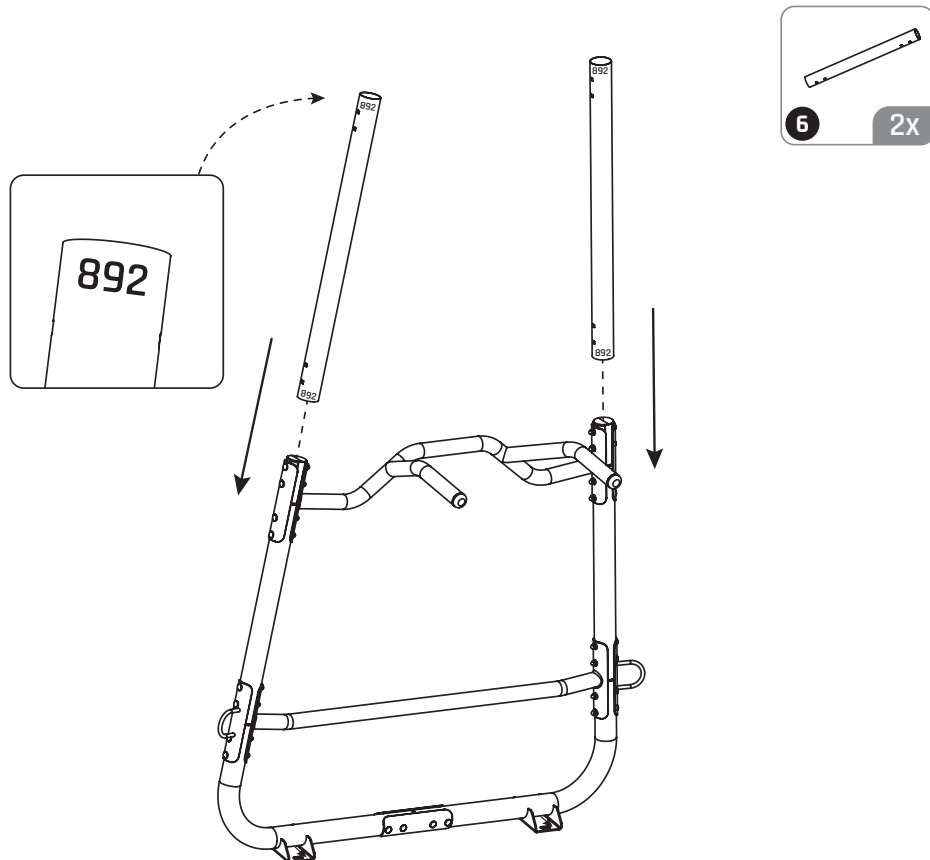
**14**



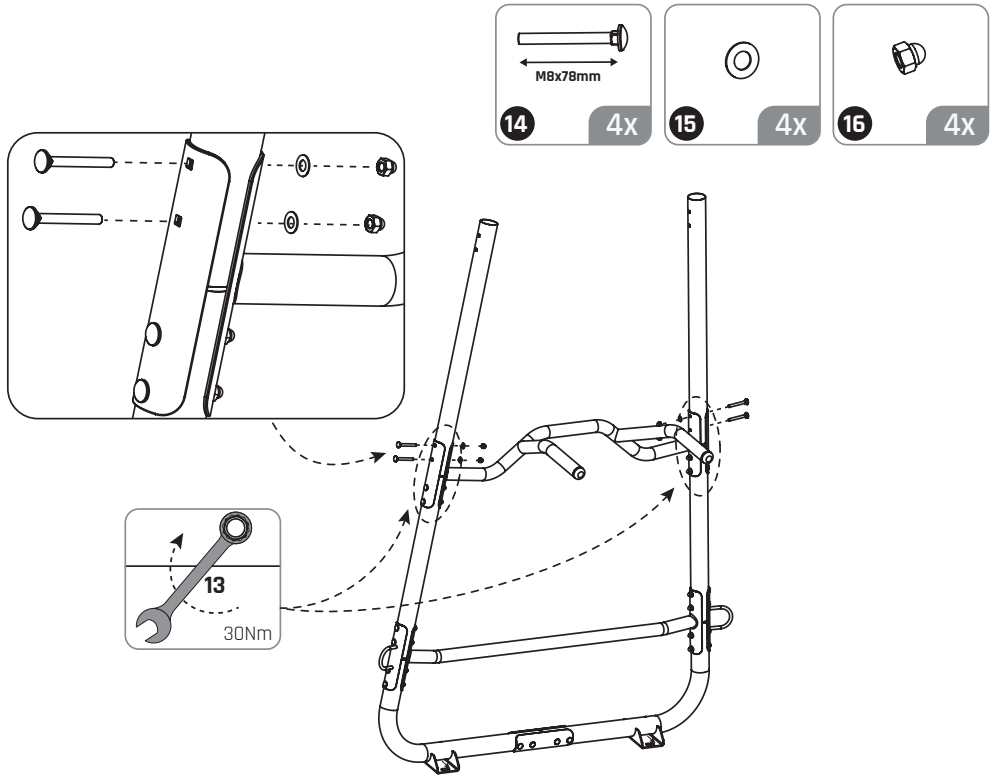
**15**



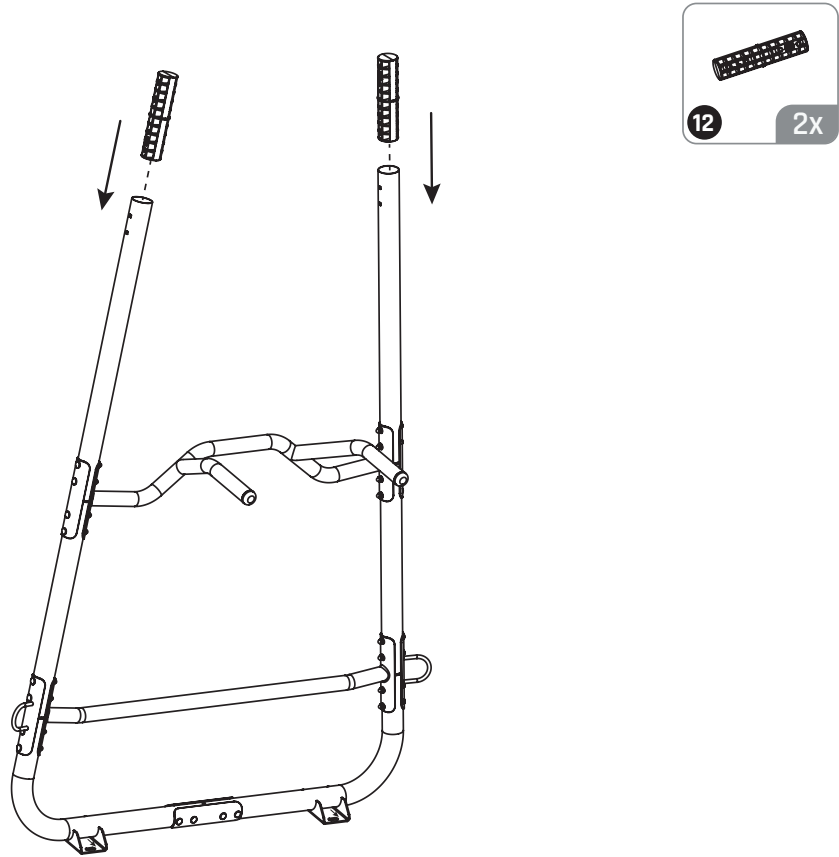
**16**



**17**

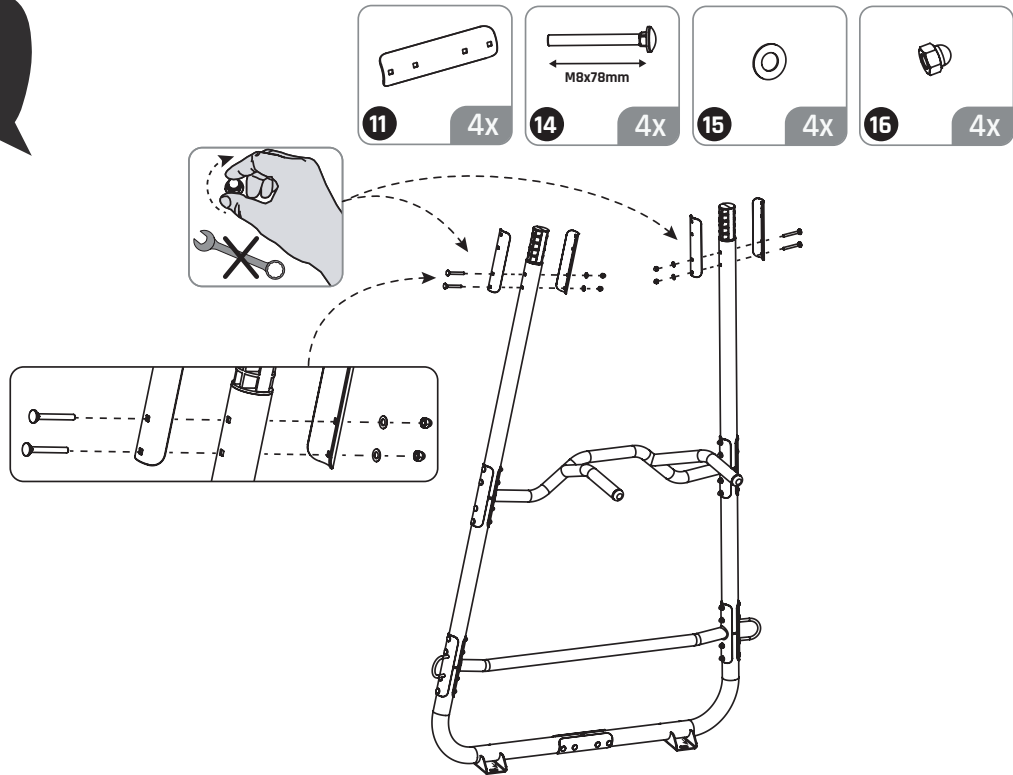


**18**

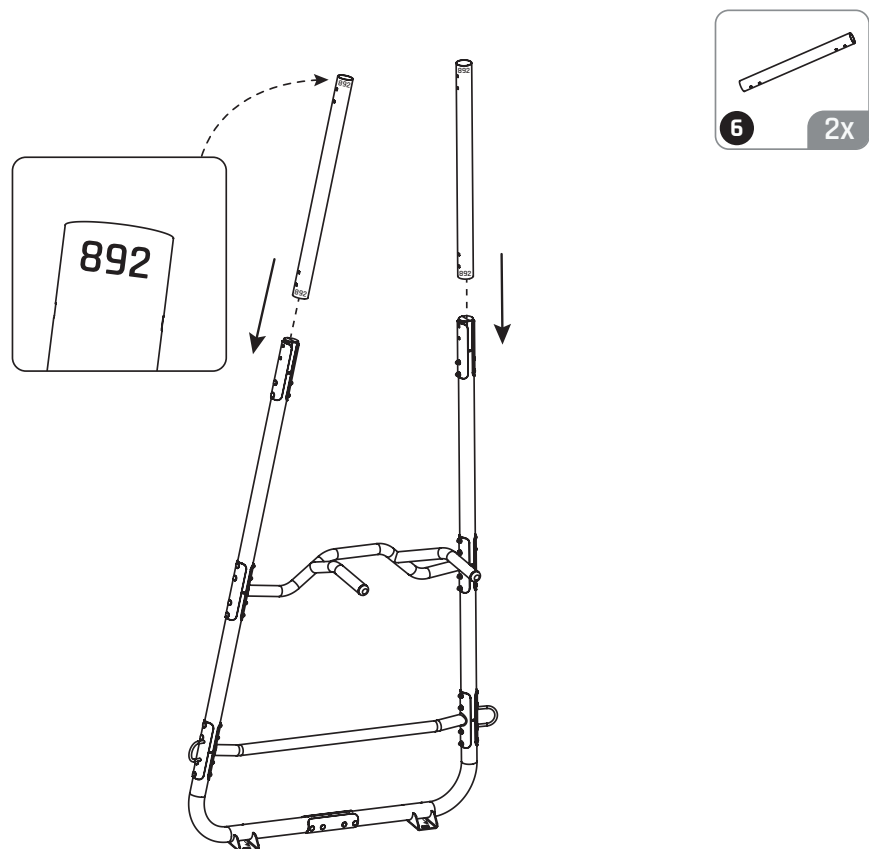




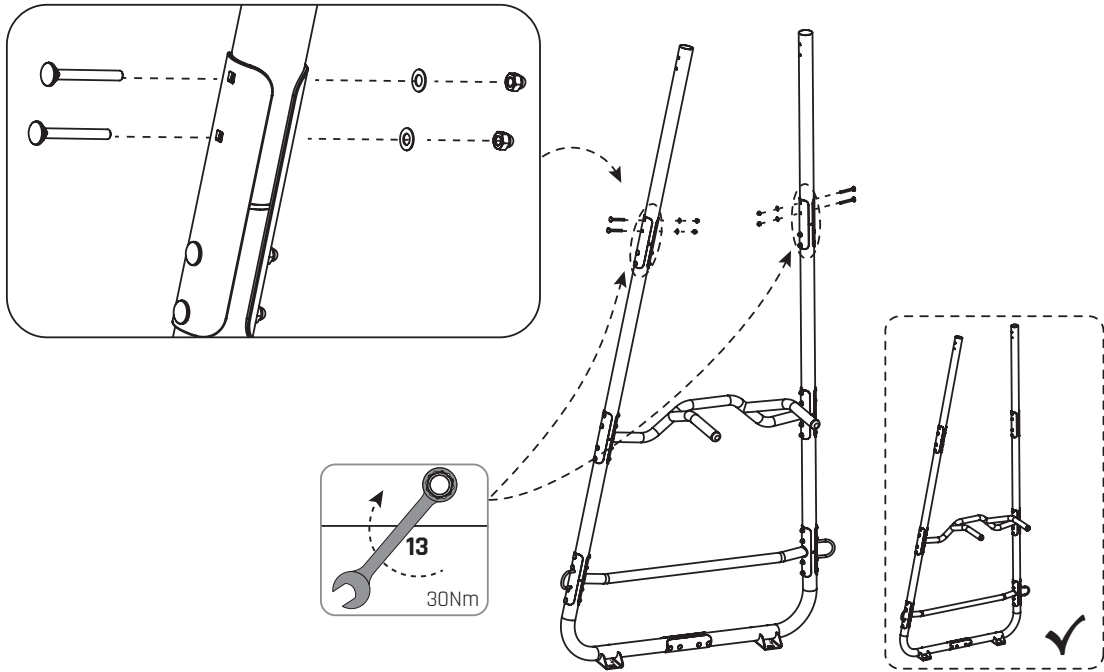
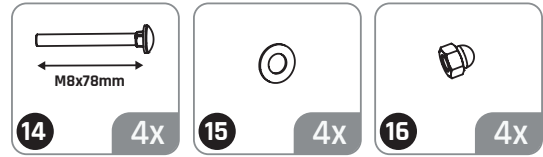
**19**



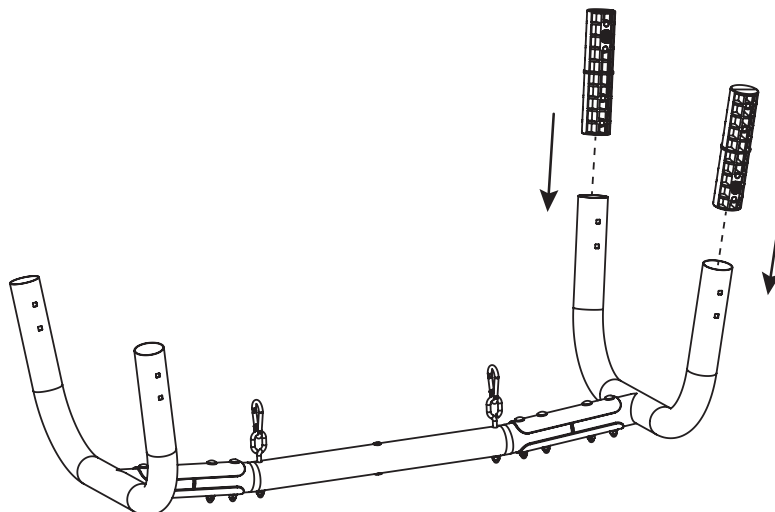
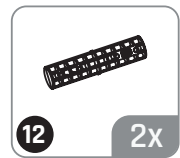
**20**



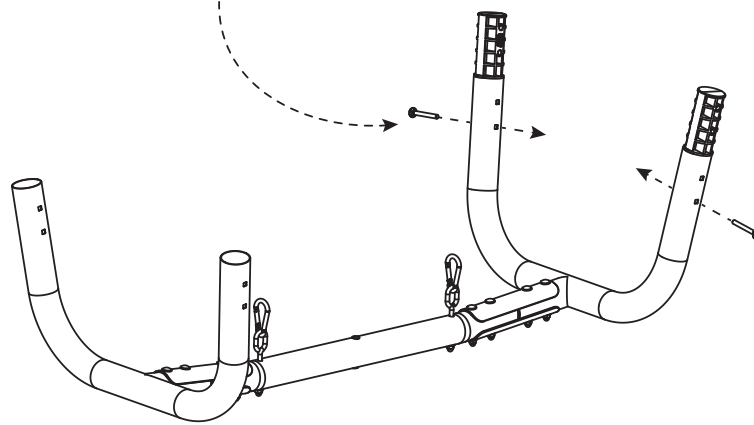
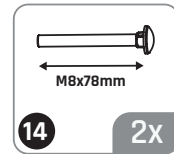
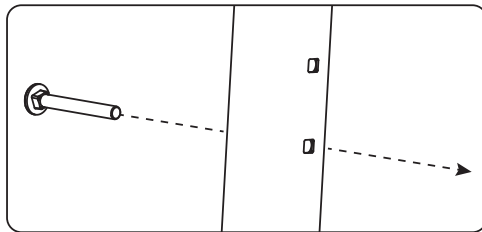
**21**



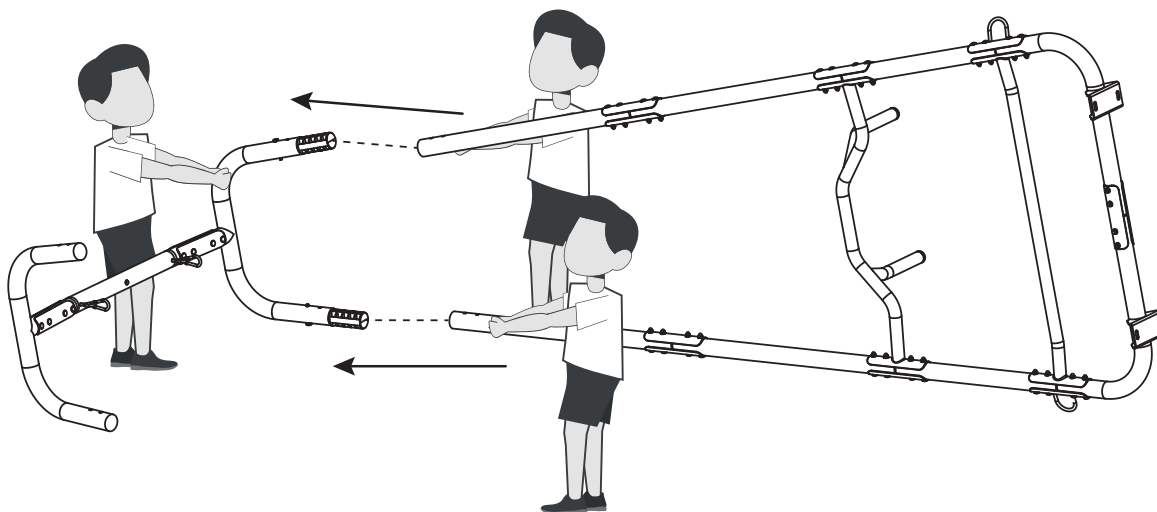
**22**



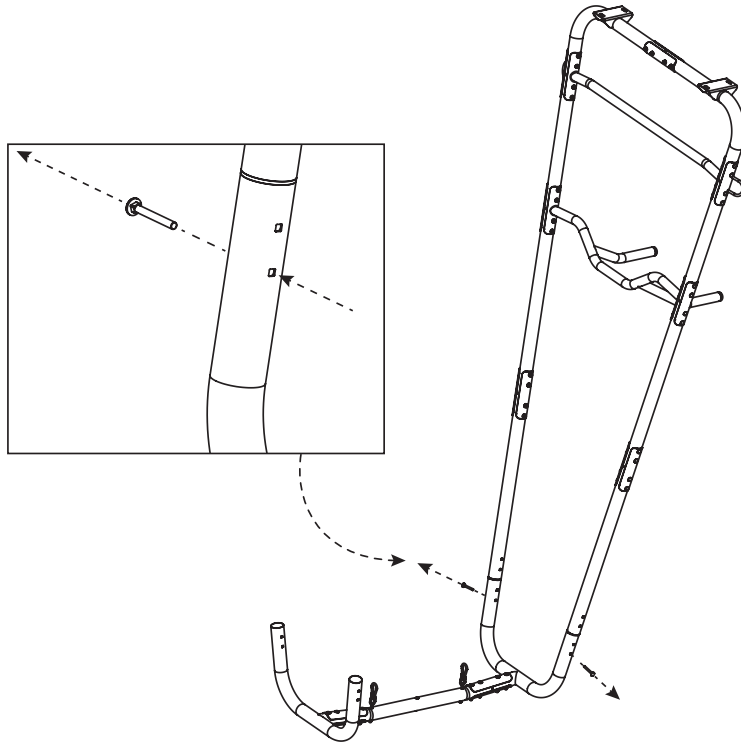
**23**



**24**

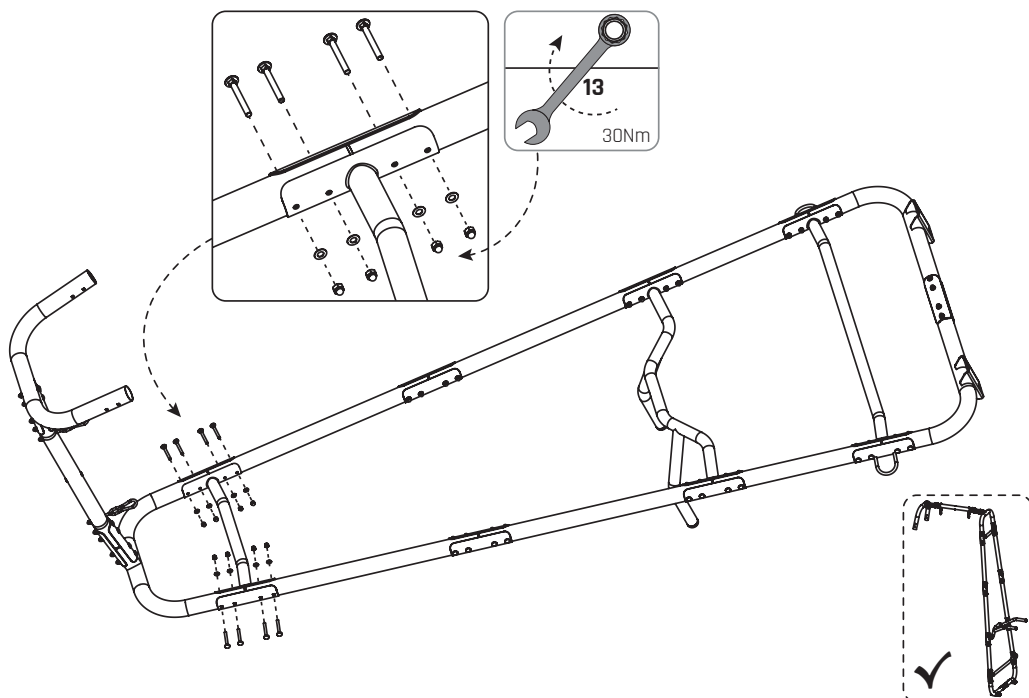


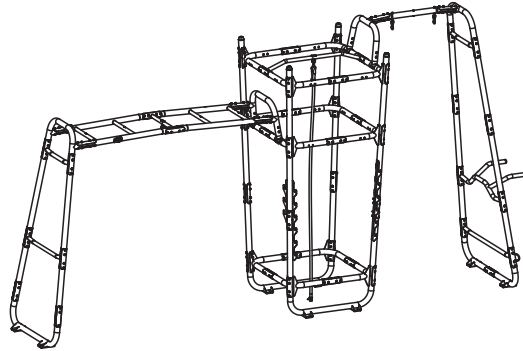
**25**



**26**

- 7 1x
- 11 2x
- 14 M8x78mm 8x
- 15 8x
- 16 8x



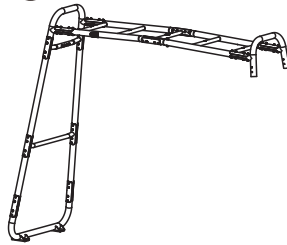


1



1X

2



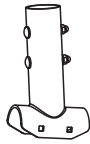
1X

3



1X

4



61.85.10.60 4X

5



M8x78mm 8X

6



M8 8X

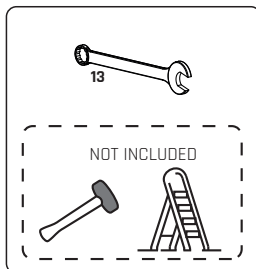
7



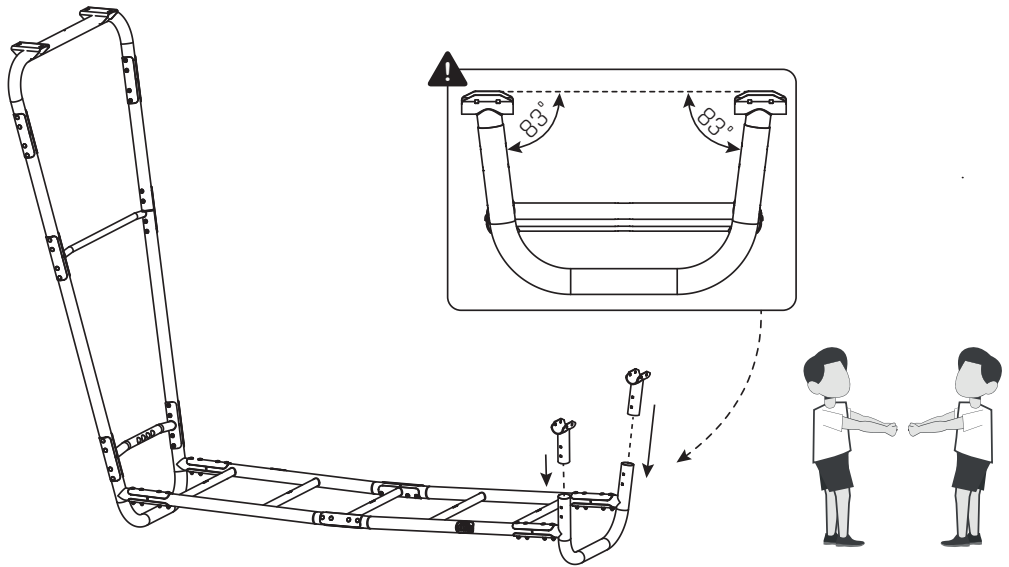
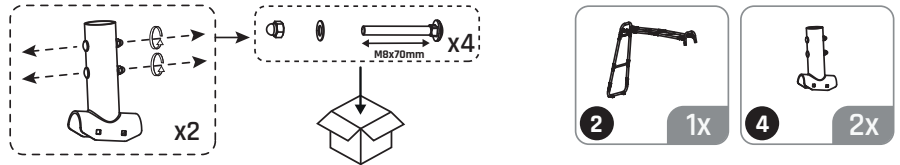
M8 8X

61.85.40.50 1X

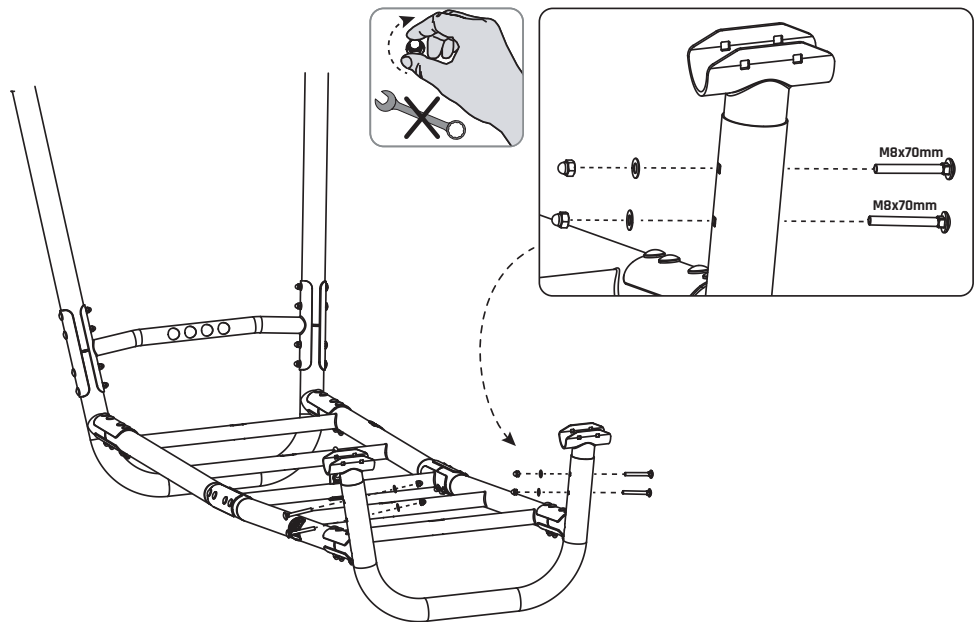
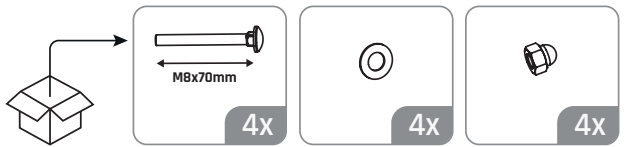
61.86.40.10 1X



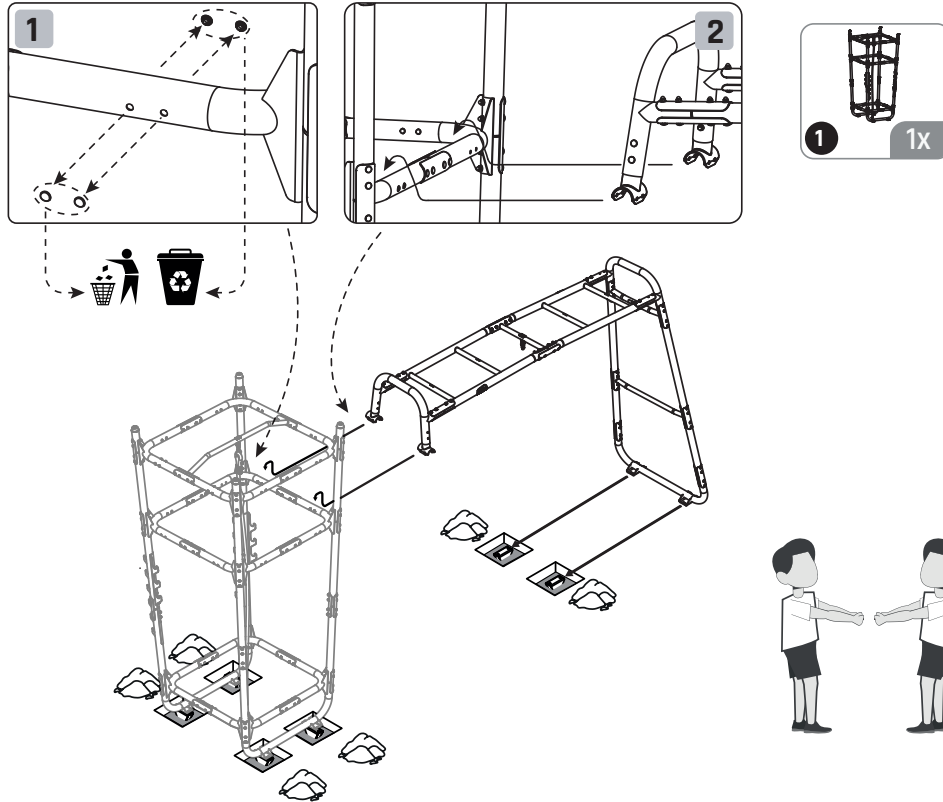
**1**



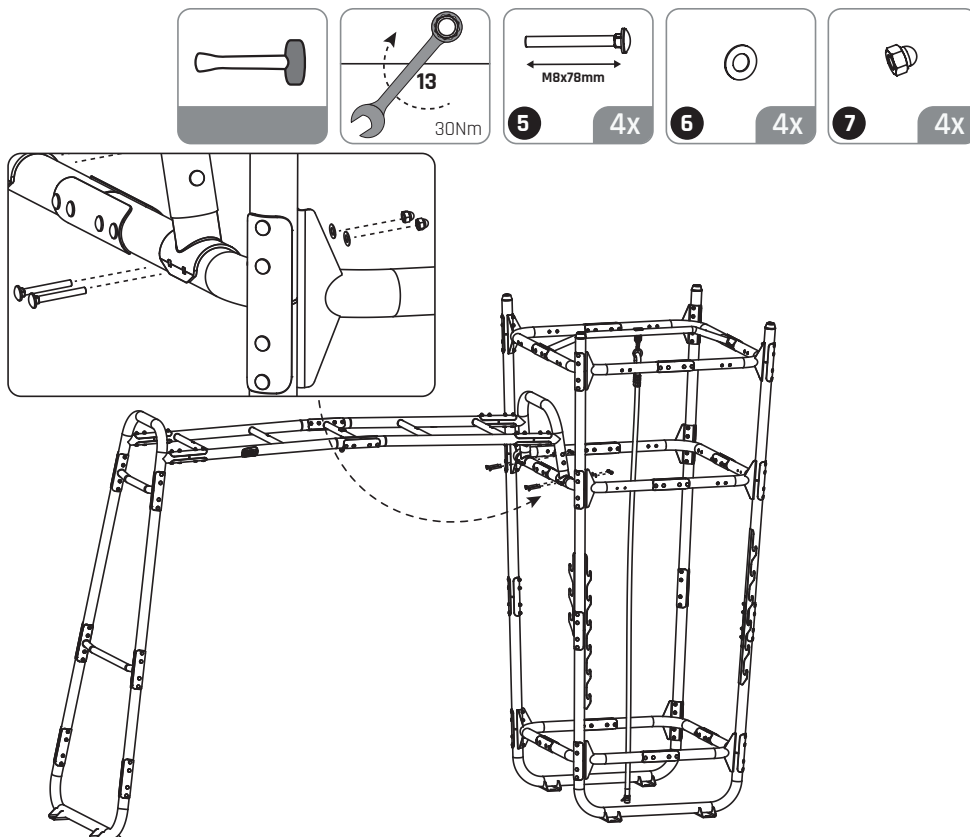
**2**



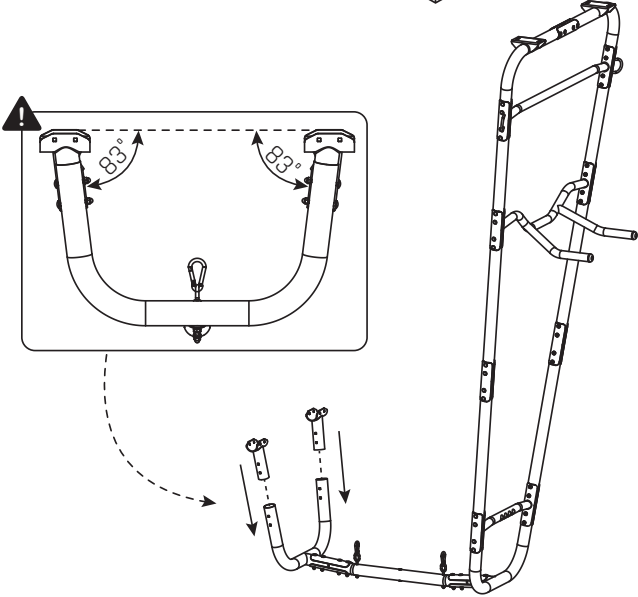
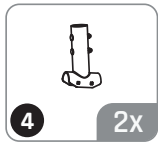
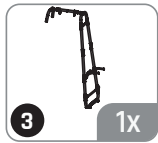
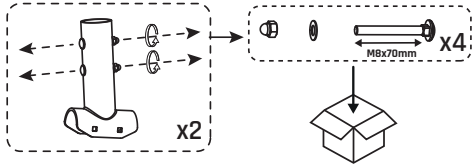
**3**



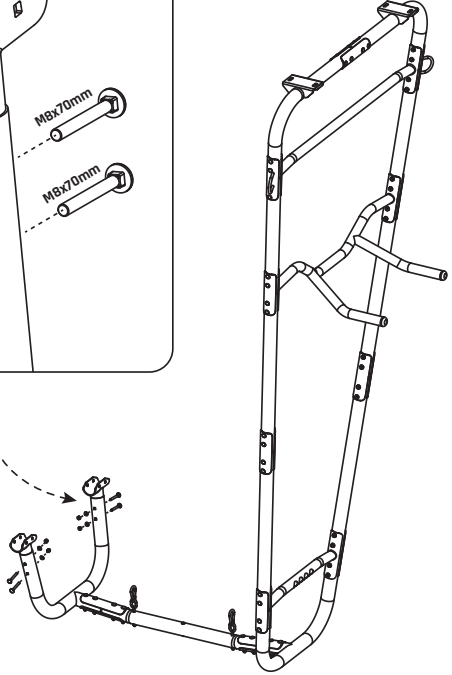
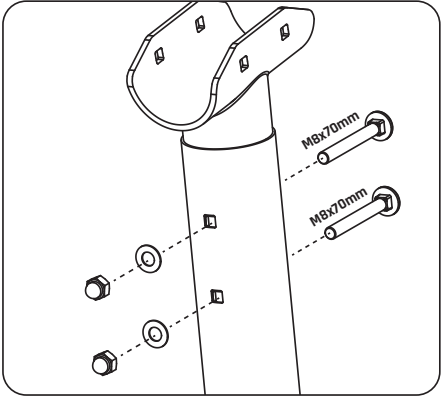
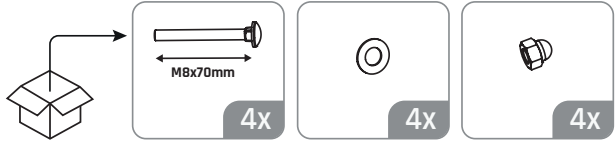
**4**



**5**

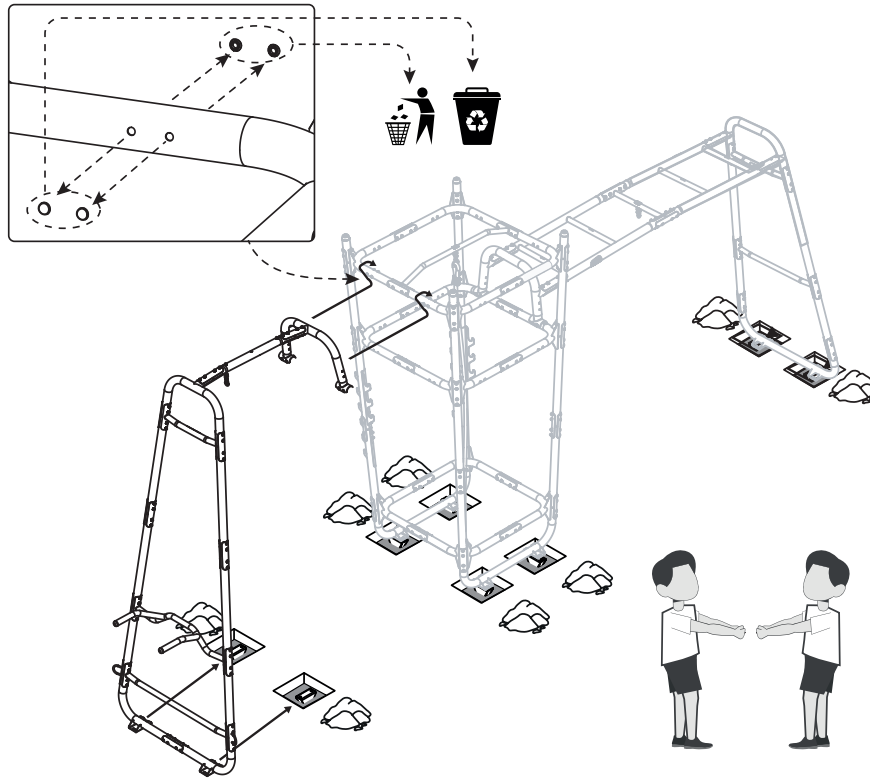


**6**

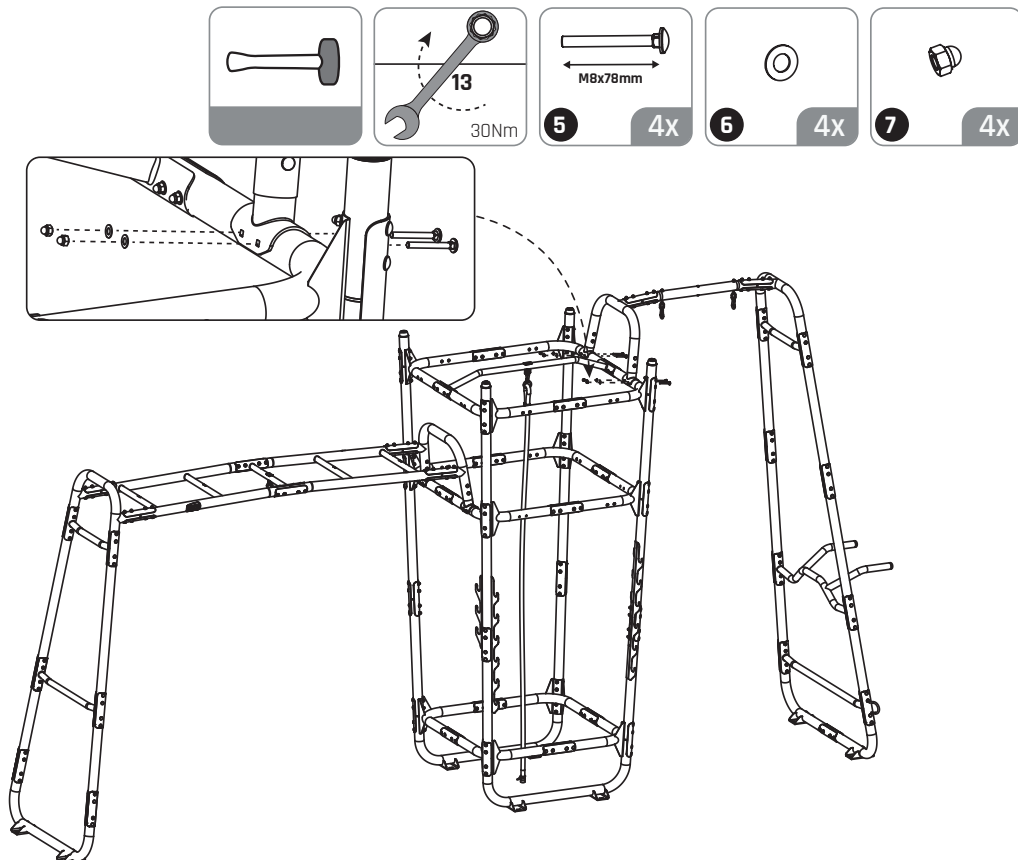




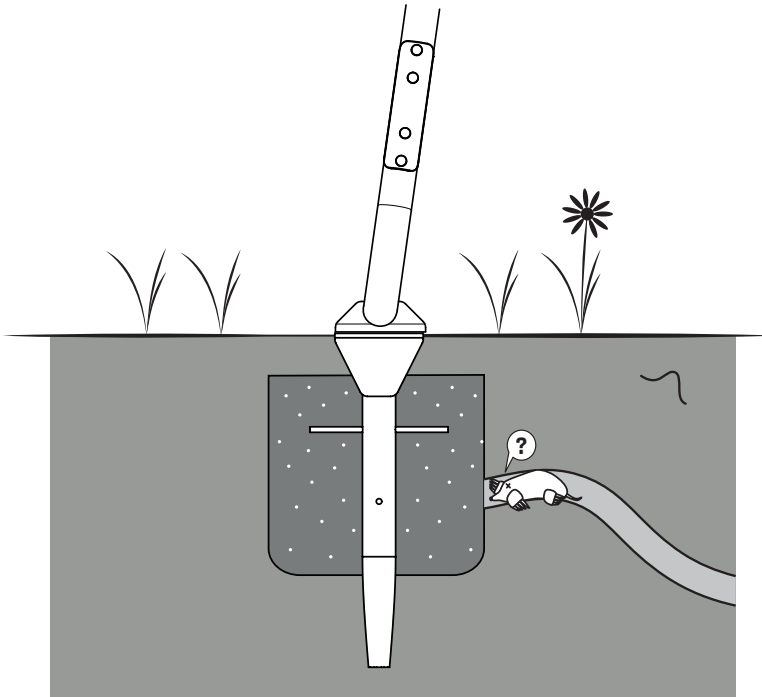
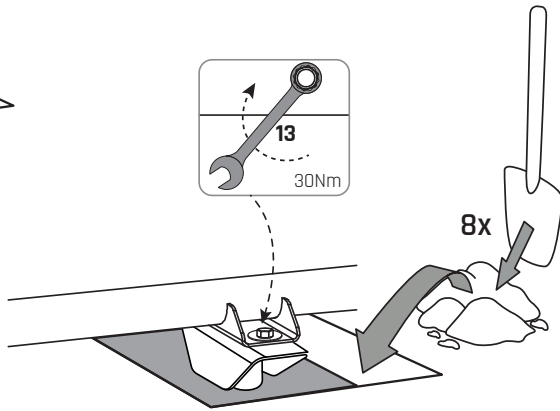
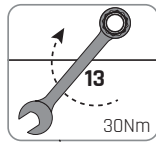
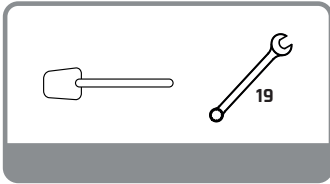
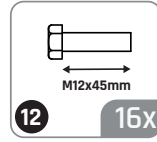
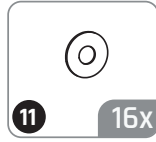
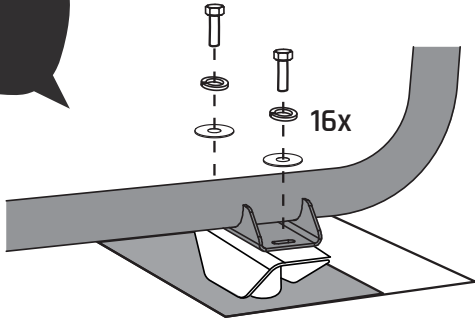
**7**

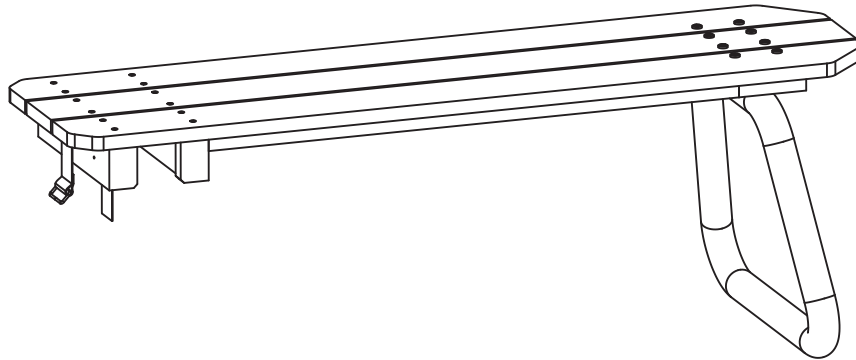


**8**

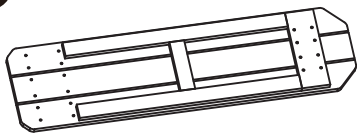


**9**





1



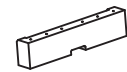
61.90.22.00	1X
-------------	----

2



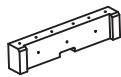
54.90.22.10	1X
-------------	----

3



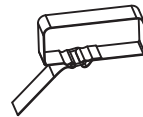
61.90.22.20	1X
-------------	----

4



61.90.22.10	1X
-------------	----

5



1X	
----	--

6



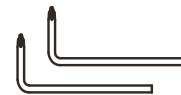
ST4x45mm	12X
----------	-----

7



M6x15mm	8X
M6x35mm	8X

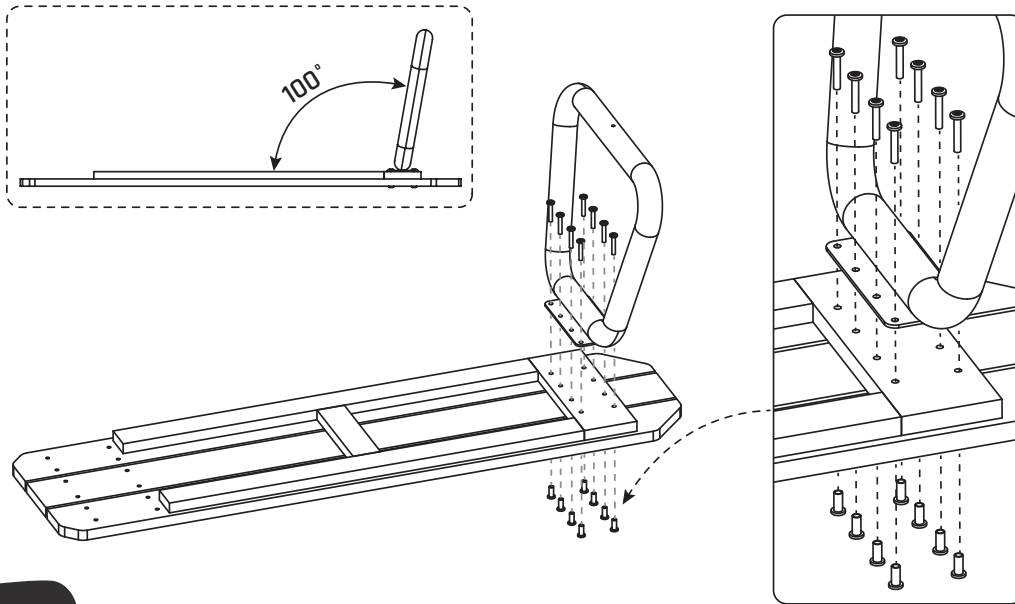
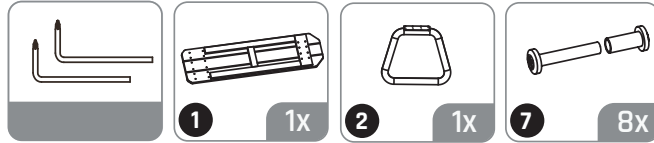
8



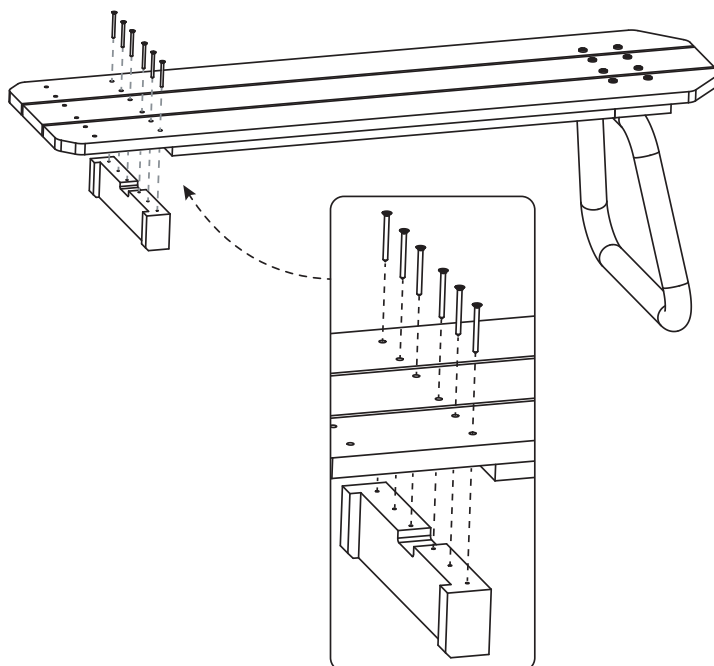
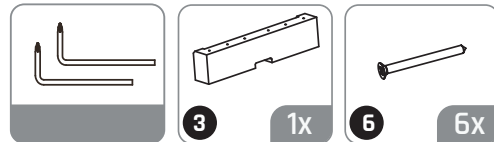
M6	2X
----	----

61.90.22.40	1X
-------------	----

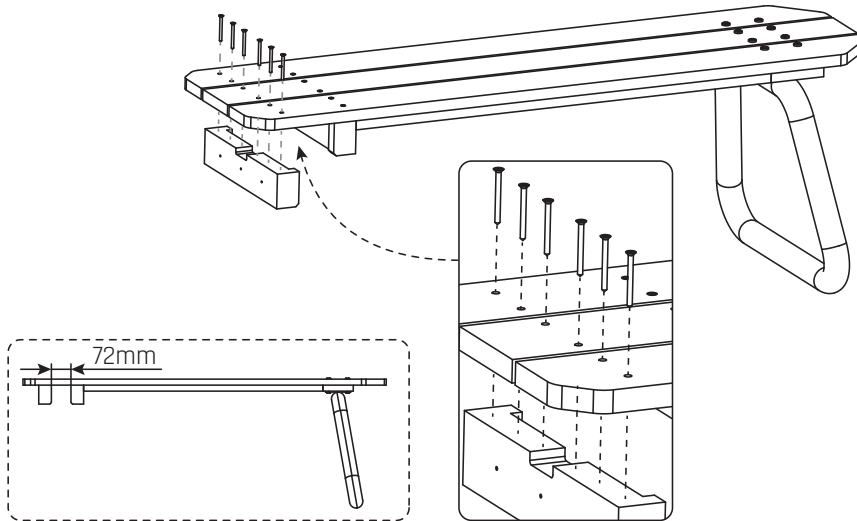
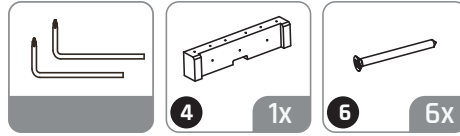
**1**



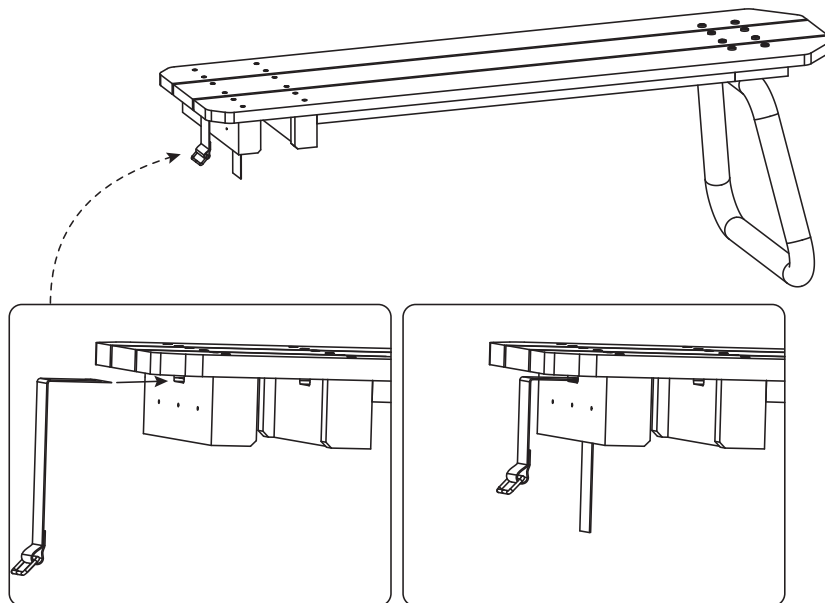
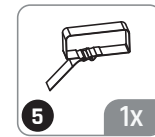
**2**



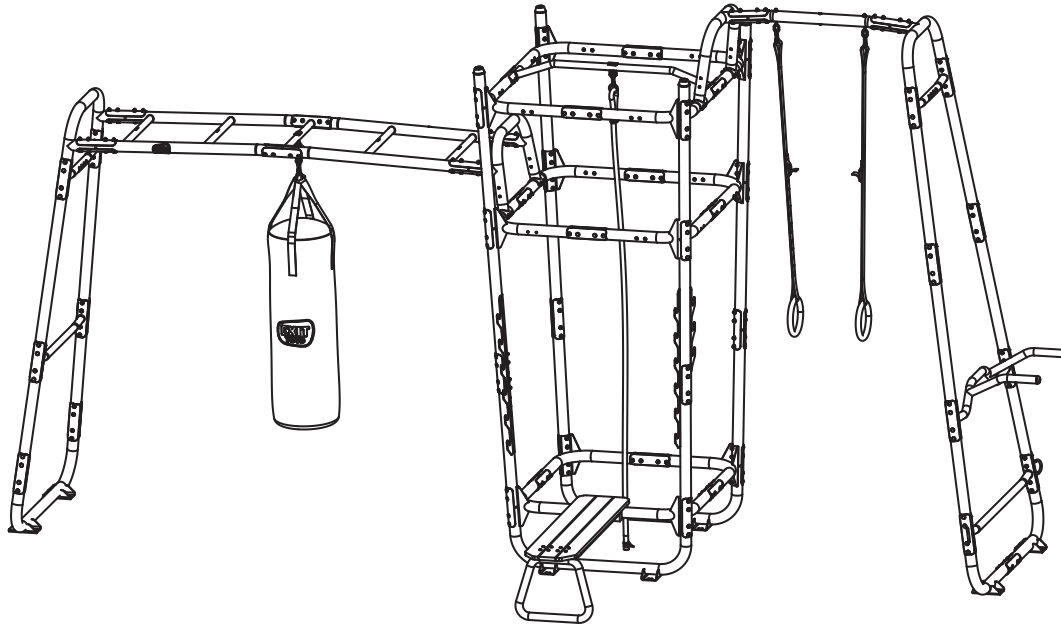
**3**



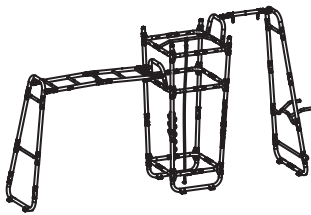
**4**







1



1X

2



1X

3



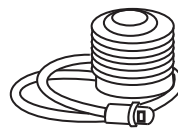
54.90.43.00 1X

4



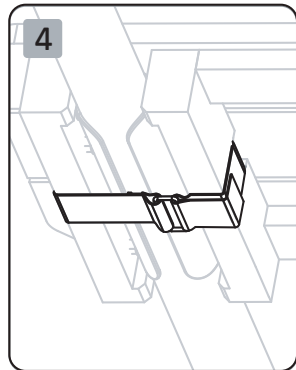
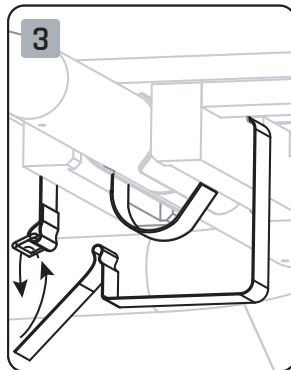
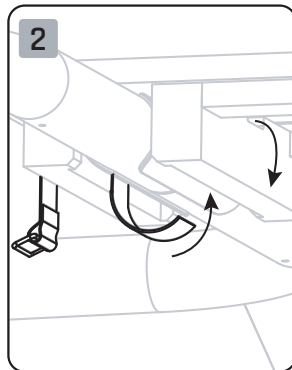
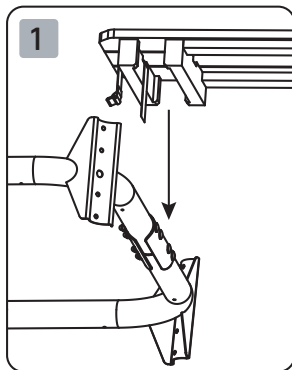
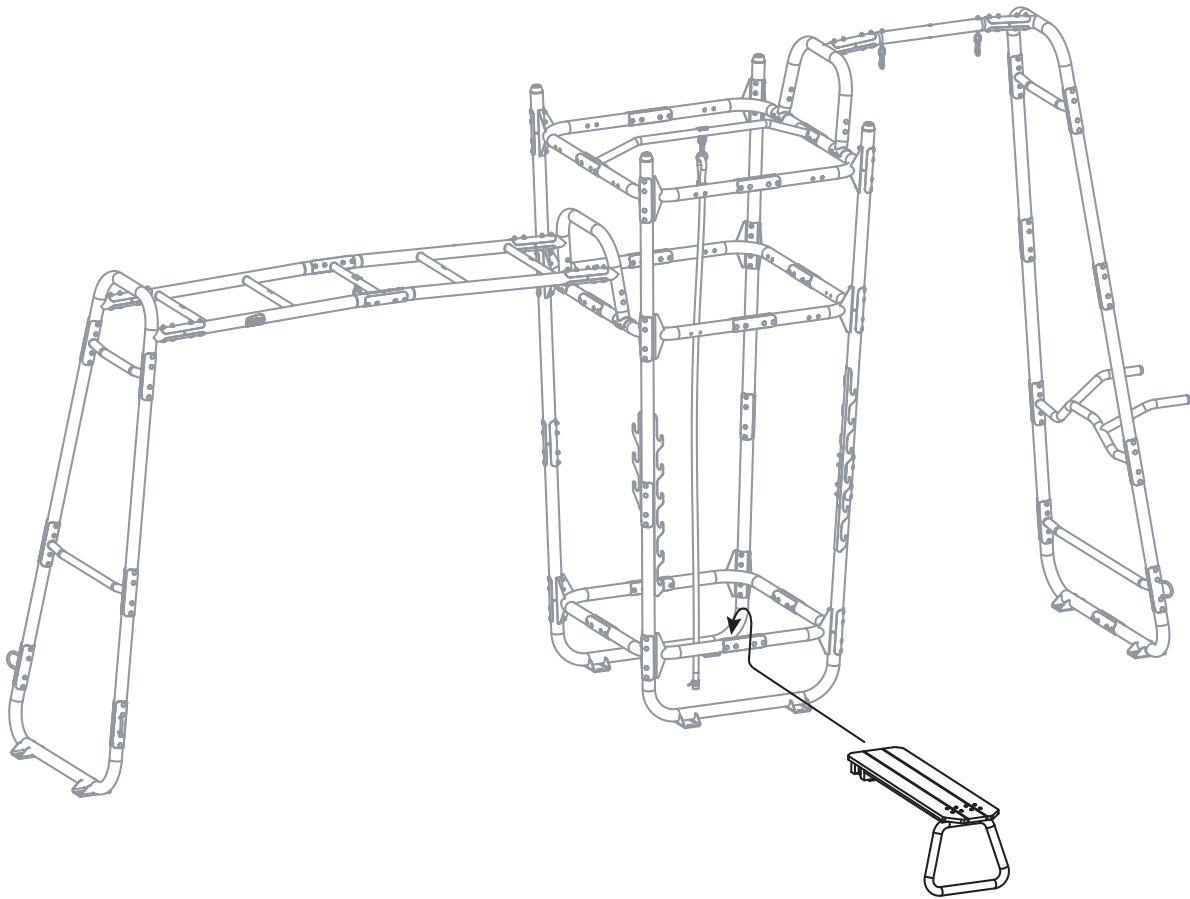
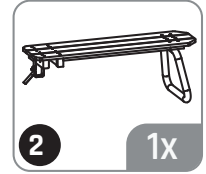
54.90.30.00 1X

5



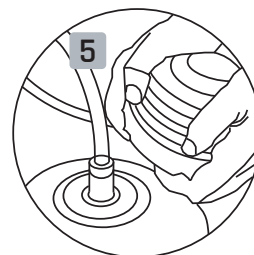
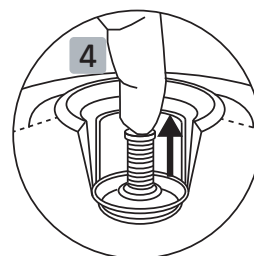
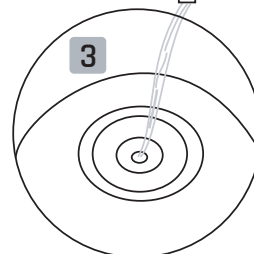
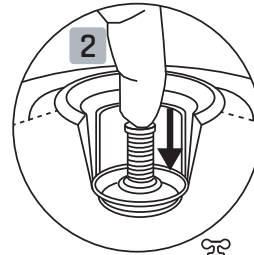
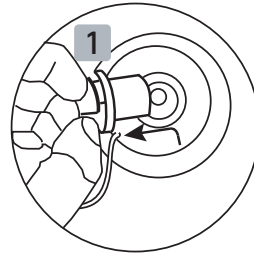
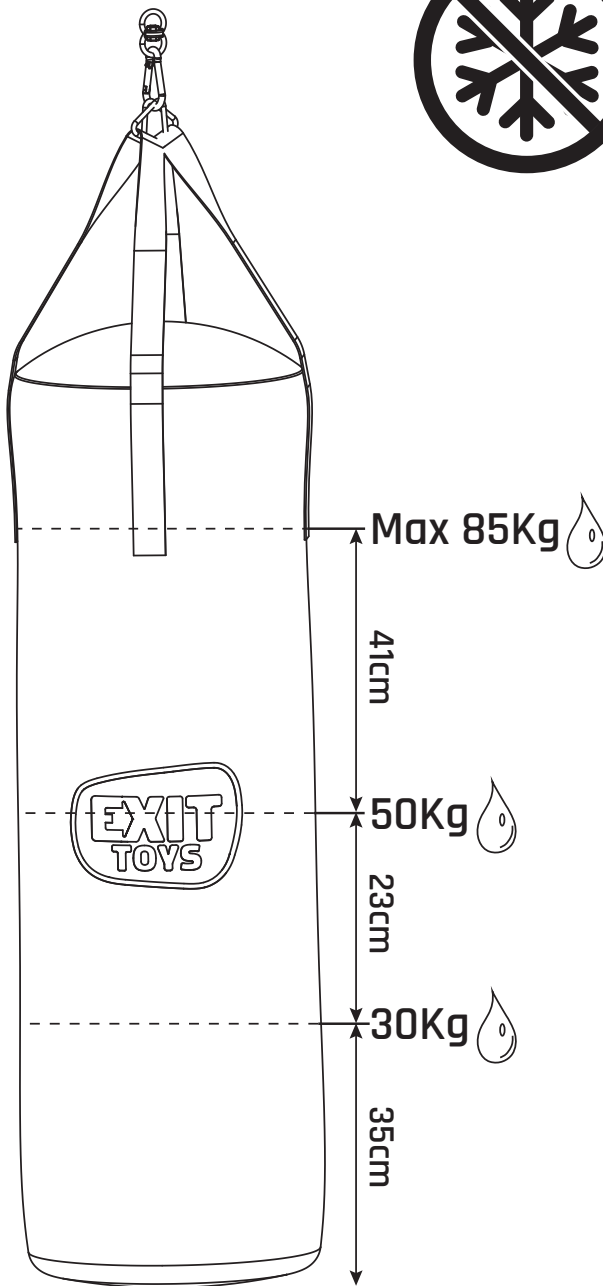
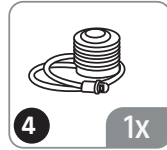
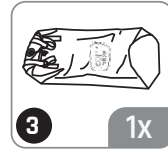
1X

**1**

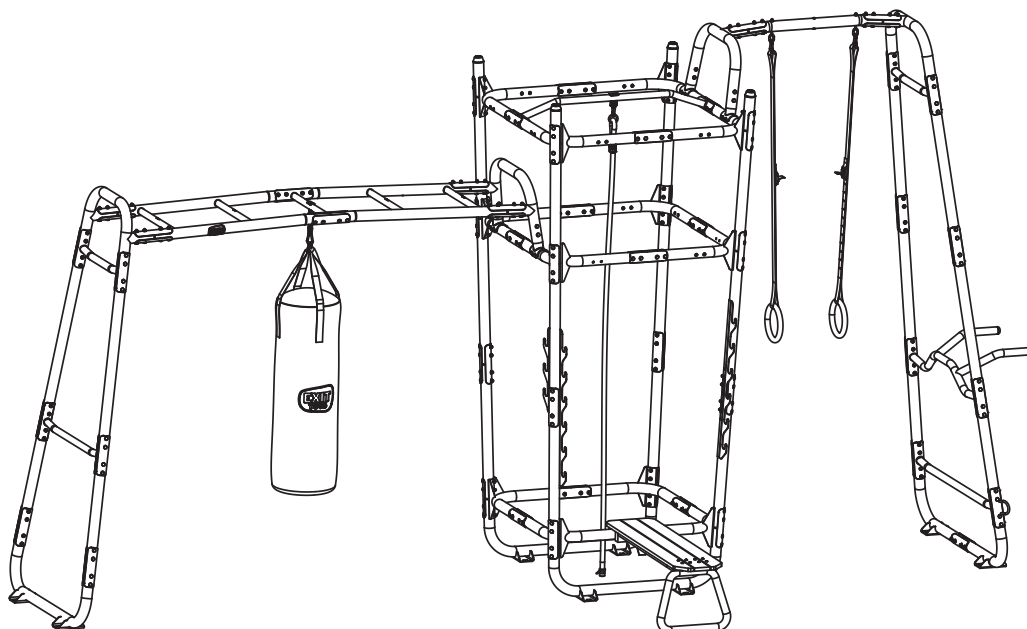
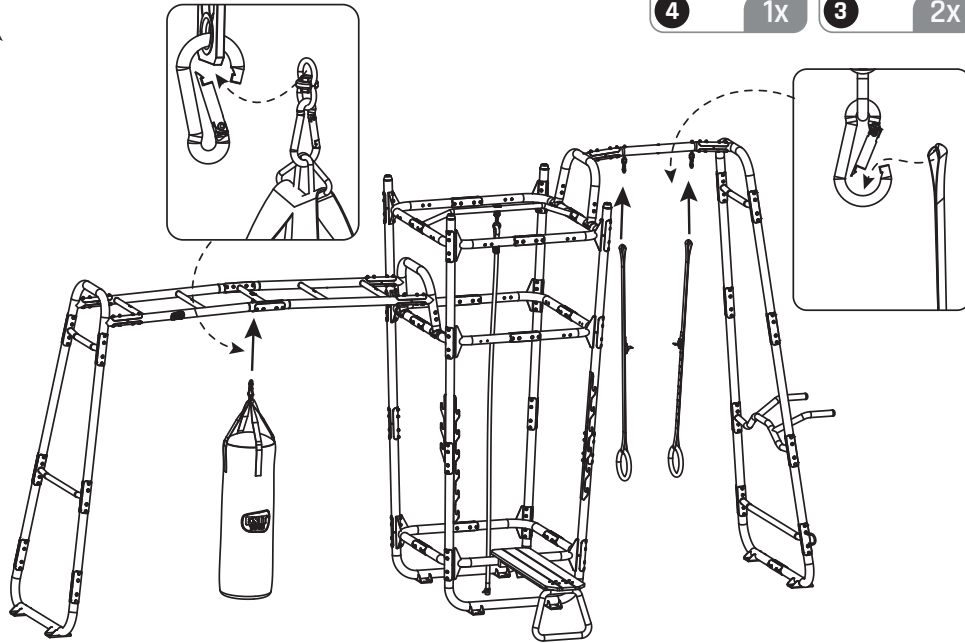
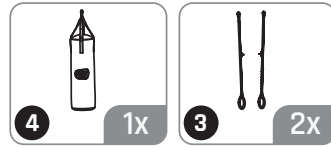




**2**



**3**











[www.exittoys.com](http://www.exittoys.com)



**Contact Information:**

Dutch Toys Group B.V.  
Edisonstraat 83  
7006 RB Doetinchem, The Netherlands

[info@exittoys.com](mailto:info@exittoys.com)  
[www.exittoys.com](http://www.exittoys.com)

EXIT Toys is part of:

**SIMBA · DICKIE · GROUP**

EXIT Toys is a registered trade mark of Dutch Toys Group